






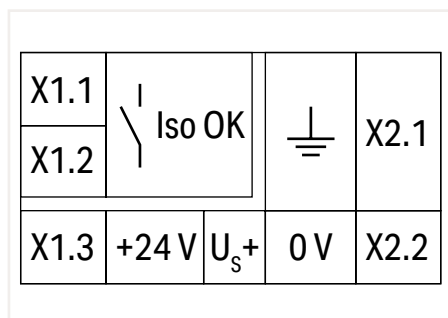
WAGO Interface Modules with Specialty Functions

WAGO Interface Modules with Specialty Functions

		Page
	Ground Resistance Signaling Module; 879 Series	514
	Switching Modules	
	Switching Modules; 286 Series	516
	Switching Modules; 2042 Series	518
	Switching Modules; 789 Series	520
	Manual Operation Modules; 789 Series	526
	Component Modules	
	Component Modules with Diodes; 286 Series	528
	Component Modules with Diodes; 289 Series	530
	Component Modules with Resistors; 289 Series	536
	PCB for Self-Assembly; 289 Series	539
	Potential Distribution Modules	
	Potential Distribution Modules; 288 Series	540
	Potential Distribution Modules; 830 Series	546
	Modules with Additional Specialty Functions	
	Current Flow Monitoring Modules; 286 Series	560
	Component Modules with a Fuse; 286 Series	562
	AND Gate Module; 286 Series	564

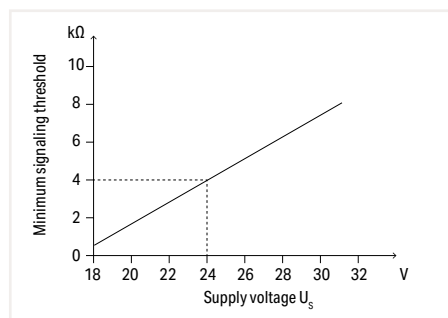
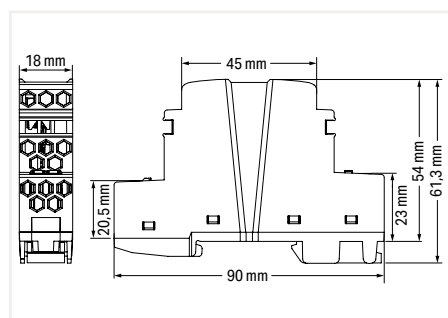
Ground Resistance Signaling Module

789 Series

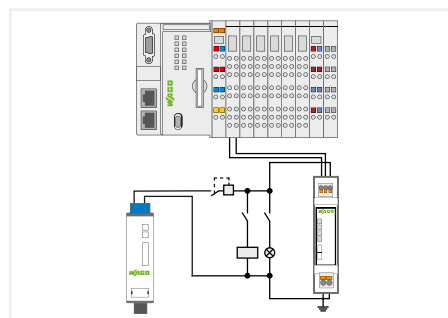


Ground resistance signaling module; Ground fault alarm via digital output; Supply voltage: 24 VDC; Module width: 18 mm

Item No.	Pack. Unit
789-665	1



Signaling threshold characteristic



Supply	
Nominal supply voltage U_S	24 VDC (SELV)
Supply voltage range	DC 18 ... 31.2 V
Current consumption at nominal supply voltage	≤ 40 mA
Power Consumption P_C	≤ 1.7 W
Current at ground fault (24 VDC) (max.)	56 mA

Signaling	
Operation status indicator	1 x LED "Status OK" (green);
Signaling	1 x LED "Iso Alarm" (red); 1 x LED "Iso Alarm" 24 V – Ground (yellow); 1 x LED "Iso Alarm" 0 V – Ground (yellow); 1 x Signal output "Iso OK"

Iso OK Contact	
Switching voltage (max.)	48 VDC (SELV)
Continuous current (max.)	500 mA (for general use)
Number of Iso OK contacts connected in series (max.)	25 (Limit value type: 1); 32 (Limit value type: 2 and 3) (per IEC 61131)
Function	1 make contact (NO); closed with applied power supply and insulation resistance > limit value

Fuse Protection	
External fuse (required)	The fuse must be placed in the output circuit of the power supply. The fuse must be adapted to the power supply used and must trip safely in case of a short circuit. The module is designed for use with a 10 A (max.) fuse or with a 10 ADC (max.) circuit breaker (characteristic B or C).

Safety and Protection	
Pollution degree	2
Overtoltage category	II
Protection class	IP20
Test voltage (supply/"Iso OK" contact)	1.5 kVAC; 50 ... 60 Hz; 1 min

Mode: grounded control circuit	
Response value for alarm at nominal supply voltage	4 kΩ (at $U_S = 24$ V, for other values of U_S see signaling threshold characteristic)
Hysteresis (typ.)	1 kΩ
Response time	10 s

Mode: ungrounded control circuit	
Response value for alarm at nominal supply voltage	4 kΩ (at $U_S = 24$ V, for other values of U_S see signaling threshold characteristic)
Hysteresis (typ.)	1 kΩ
Response time	1 s

Environmental Requirements	
Surrounding air temperature (operation)	-40 ... +70 °C
Surrounding air temperature (storage)	-40 ... +85 °C
Temperature range of the connecting cable according to EN 61010-2-201	$\geq (T_{\text{surrounding air}} + 10$ K)
Relative humidity	5 ... 95 % (non-condensing)
Operating altitude (max.)	3000 m

Connection Data	
Connection type 1	X1.x
Connection technology 1	Push-in CAGE CLAMP®
WAGO Connector 1	picoMAX® eCOM
Solid conductor 1	0.25 ... 1.5 mm ² / 24 ... 14 AWG
Fine-stranded conductor 1	0.25 ... 1.5 mm ² / 24 ... 14 AWG
Fine-stranded conductor; with insulated ferrule 1	0.25 ... 0.75 mm ²
Fine-stranded conductor; with uninsulated ferrule 1	0.25 ... 1.5 mm ²
Strip length 1	8 ... 9 mm / 0.31 ... 0.35 inch
Connection type 2	X2.x
Connection technology 2	Push-in CAGE CLAMP®
WAGO Connector 2	picoMAX® eCOM
Solid conductor 2	0.2 ... 2.5 mm ² / 24 ... 12 AWG
Fine-stranded conductor 2	0.2 ... 2.5 mm ² / 24 ... 12 AWG
Fine-stranded conductor; with insulated ferrule 2	0.25 ... 1.5 mm ²
Fine-stranded conductor; with uninsulated ferrule 2	0.25 ... 2.5 mm ²
Strip length 2	9 ... 10 mm / 0.35 ... 0.39 inch

Short Description

The product signals a value falling below a non-adjustable, asymmetric isolation resistance between +24 V or 0 V of the supply voltage and ground by means of a potential-free contact ("Iso OK") and status LED. The "Iso OK" contact can be evaluated via a PLC.

This status is maintained until the next measurement interval.

Operation with Grounded Control Circuit (Functional Potential Equalization)

- The module establishes an internal connection between the 0 V (X2.2) and ground (X2.1) connections via a semiconductor switch.
- At 10 s intervals, the connection between 0 V and ground is interrupted for 0.5 s, and the isolation resistance between +24 V (X1.3) or 0 V (X2.2) of the supply voltage and earth (X2.1) is determined.
- The grounding connection on the module does not meet the requirements of a protective earth terminal (PE). It serves as a functional ground. The measurement method does not involve the module establishing any permanent connection between 0 V and ground.

Operation with Ungrounded Control Circuit

- In this operating mode, the semiconductor switch to establish a connection between 0 V (X2.2) and ground (X2.1) is deactivated. At 1 s intervals, the isolation resistance offset is determined for 0.5 s.
- The module does not meet the requirements of an isolation monitoring device per EN 61557-8.

"Iso OK" Contact

- The potential-free contact serves the purpose of supporting evaluation (e.g., via a PLC) of looming isolation faults.
- This contact must not be used to switch safety-related products that could cause the circuit to switch off.

Physical Data

Width	18 mm
Depth from upper edge of DIN-rail	51 mm
Height	90 mm

Mechanical Data

Mounting type	DIN-35 rail
---------------	-------------

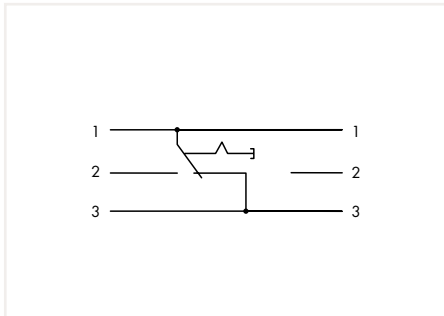
Material Data

Weight	47 g
--------	------

Standards and Specifications

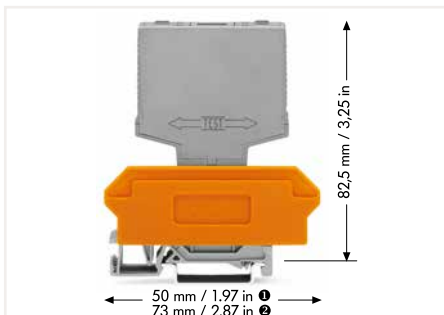
Conformity marking	CE
EMC immunity to interference	EN 61000-6-2
EMC emission of interference	EN 61000-6-3; EN 61000-6-4
Standards/Specifications	UL 61010-2-201

Switching Module 286 Series



Switching Module; with changeover rocker switch;
Switching voltage: 250 VAC; Switching current: 6 A

Item No.	Pack. Unit
286-895	1



Electrical Data

Switching voltage (max.) AC	250 V
Switching voltage (max.) DC	24 V
Switching current (resistive) max.	6 A
Electrical life (NO; resistive load; 23 °C)	50 x 10 ³ switching operations
Contact gap	≥ 3 mm

Physical Data

Width	15 mm / 0.591 inch
Height from upper-edge of DIN-rail	85 mm / 3.346 inch
Depth	52 mm / 2.047 inch

Mechanical Data

Mounting type	Pluggable module for receptacle terminal blocks
---------------	---

Material Data

Weight	20.5 g
--------	--------

Environmental Requirements

Surrounding air temperature (operation)	-20 ... +40 °C
Relative humidity	5 ... 85 % (no condensation permissible)
Operating altitude (max.)	2000 m

Accessories



Terminal block for pluggable modules; 6-pole; with 2-conductor terminal blocks; with orange separator; for 35 x 15 mm and 35 x 7.5 mm DIN-rails; 2.5 mm²

Item No.	Pack. Unit
280-619	30



Terminal block for pluggable modules; 12-pole; with 4-conductor terminal blocks; with orange separator; for 35 x 15 mm and 35 x 7.5 mm DIN-rails; 2.5 mm²

Item No.	Pack. Unit
280-609	30



Terminal block for pluggable modules; 12-pole; with 4-conductor terminal blocks; with marker carrier; with orange separator; for 35 x 15 mm and 35 x 7.5 mm DIN-rails; 2.5 mm²

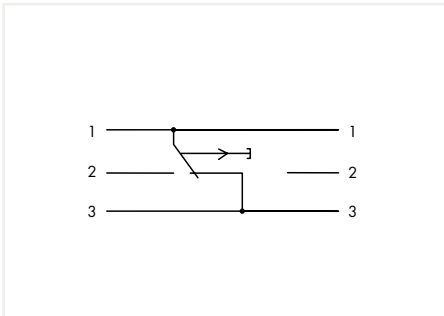
Item No.	Pack. Unit
280-763	25



WSB marker card; white; for 5 ... 17.5 mm terminal block width; 10 strips with 10 markers/card

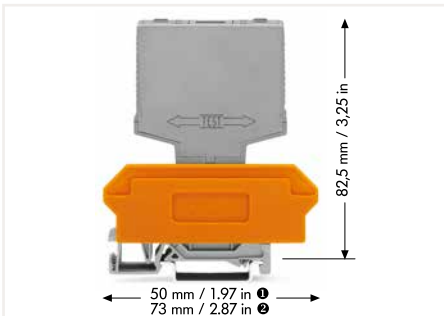
Marking	Item No.	Pack. Unit
1 ... 10	209-702	5
S	209-682	5

Switching Module 286 Series



Switching Module; with momentary switch;
Switching voltage: 250 VAC; Switching current: 6 A

	Item No.	Pack. Unit
	286-896	1



Electrical Data

Switching voltage (max.) AC	250 V
Switching voltage (max.) DC	24 V
Switching current (resistive) max.	6 A
Electrical life (NO; resistive load; 23 °C)	50 x 10 ³ switching operations
Contact gap	≥ 3 mm

Physical Data

Width	15 mm / 0.591 inch
Height from upper-edge of DIN-rail	85 mm / 3.346 inch
Depth	52 mm / 2.047 inch

Mechanical Data

Mounting type	Pluggable module for receptacle terminal blocks
---------------	---

Material Data

Weight	19.5 g
--------	--------

Environmental Requirements

Surrounding air temperature (operation)	-20 ... +40 °C
Relative humidity	5 ... 85 % (no condensation permissible)
Operating altitude (max.)	2000 m

Accessories



Terminal block for pluggable modules; 6-pole; with 2-conductor terminal blocks; with orange separator; for 35 x 15 mm and 35 x 7.5 mm DIN-rails; 2.5 mm²

	Item No.	Pack. Unit
	280-619	30



Terminal block for pluggable modules; 12-pole; with 4-conductor terminal blocks; with orange separator; for 35 x 15 mm and 35 x 7.5 mm DIN-rails; 2.5 mm²

	Item No.	Pack. Unit
	280-609	30



Terminal block for pluggable modules; 12-pole; with 4-conductor terminal blocks; with marker carrier; with orange separator; for 35 x 15 mm and 35 x 7.5 mm DIN-rails; 2.5 mm²

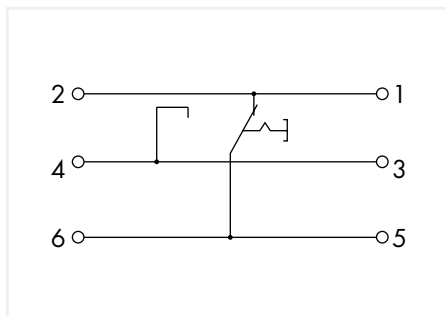
	Item No.	Pack. Unit
	280-763	25



WSB marker card; white; for 5 ... 17.5 mm terminal block width; 10 strips with 10 markers/card

Marking	Item No.	Pack. Unit
1 ... 10	209-702	5
S	209-682	5

Switching Module 2042 Series



Switching Module; with changeover rocker switch;
Switching voltage: 250 VAC

	Item No.	Pack. Unit
	2042-1008	10

Technical Data

Switching voltage (max.)	250 VAC
Switching current (max.)	10 A
Inrush current (max.)	128 A
Contact resistance	≤ 20 mΩ
Electrical life (NO; resistive load; 23 °C)	10 x 10 ³ switching operations (UL: 6 x 10 ³ switching operations)

Safety and Protection

Dielectric strength, open contact (AC, 1 min)	1.5 kV _{rms}
Rated voltage	250 V
Insulation resistance	≥ 100 MΩ (500 VDC; new condition)
Overtoltage category	II
Pollution degree	2
Protection class	IP20

Physical Data

Width	15.5 mm / 0.61 inch
Height	87 mm / 3.425 inch
Height from the surface	68 mm / 2.677 inch
Depth	52 mm / 2.047 inch

Mechanical Data

Mounting type	Pluggable module for TOPJOB® S Carrier Terminal Block
---------------	---

Material Data

Flammability class per UL94	V0
Weight	78.4 g

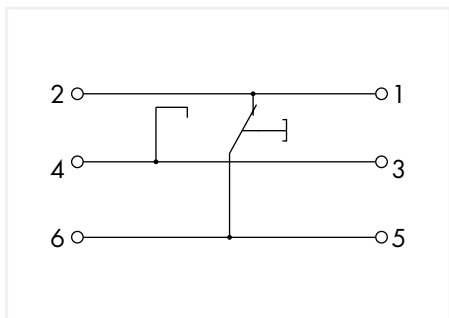
Environmental Requirements

Surrounding air temperature (operation)	-25 ... +70 °C
Surrounding air temperature (storage)	-40 ... +85 °C
Operating altitude (max.)	2000 m

Standards and Specifications

Conformity marking	CE
Standards/specifications	EN 61010-2-201; EN 50155; EN 61373

Switching Module 2042 Series



Switching Module; with momentary switch;
Switching voltage: 250 VAC

	Item No.	Pack. Unit
	2042-1108	10

Technical Data

Switching voltage (max.)	250 VAC
Switching current (max.)	10 A
Inrush current (max.)	128 A
Contact resistance	≤ 20 mΩ
Electrical life (NO; resistive load; 23 °C)	10 x 10 ³ switching operations (UL: 6 x 10 ³ switching operations)

Safety and Protection

Dielectric strength, open contact (AC, 1 min)	1.5 kV _{rms}
Rated voltage	250 V
Insulation resistance	≥ 100 MΩ (500 VDC; new condition)
Overtoltage category	II
Pollution degree	2
Protection class	IP20

Physical Data

Width	15.5 mm / 0.61 inch
Height	87 mm / 3.425 inch
Height from the surface	68 mm / 2.677 inch
Depth	52 mm / 2.047 inch

Mechanical Data

Mounting type	Pluggable module for TOPJOB® S Carrier Terminal Block
---------------	---

Material Data

Flammability class per UL94	V0
Weight	78.4 g

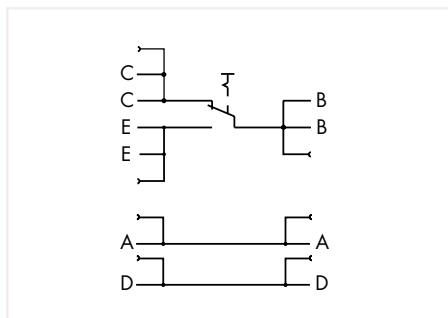
Environmental Requirements

Surrounding air temperature (operation)	-25 ... +70 °C
Surrounding air temperature (storage)	-40 ... +85 °C
Operating altitude (max.)	2000 m

Standards and Specifications

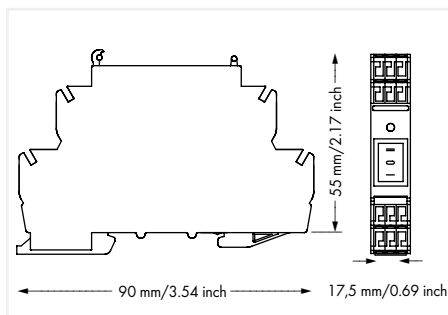
Conformity marking	CE
Standards/specifications	EN 61010-2-201; EN 50155; EN 61373

Switching Module 789 Series



Switching Module; with changeover rocker switch;
Switching voltage: 250 VAC; Switching current: 10 A

Item No.	Pack. Unit
789-800	1



Electrical Data

Switching voltage (max.)	≤ 250 VAC
Switching current (resistive) max.	10 A
Inrush current (max.)	100 A (capacitive)
Contact gap	≥ 3 mm
Contact resistance	≤ 100 mΩ (12 V / 1 ADC, new condition)
Insulation resistance	> 100 MΩ (500 VDC, new condition)
Electrical life (NO; resistive load; 23 °C)	10 x 10 ³ switching operations
Mechanical life	100 x 10 ³ switching operations

Safety and Protection

Pollution degree	2
Rated voltage	250 V
Rated surge voltage	4 kV
Dielectric strength, open contact (AC, 1 min)	1.25 kV _{rms}

Connection Data

Connection technology	CAGE CLAMP®
Solid conductor	0,2 ... 2,5 mm ² / 24 ... 14 AWG
Fine-stranded conductor	0,2 ... 2,5 mm ² / 24 ... 14 AWG
Strip Length	9 ... 10 mm / 0.35 ... 0.39 inch

Physical Data

Width	17.5 mm / 0.689 inch
Height from upper-edge of DIN-rail	55 mm / 2.165 inch
Depth	90 mm / 3.543 inch

Mechanical Data

Mounting type	DIN-35 rail
---------------	-------------

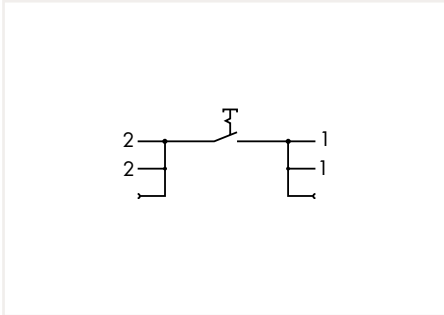
Material Data

Weight	41.7 g
Contact material	Ag alloy

Environmental Requirements

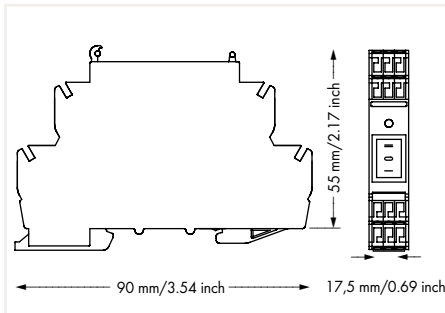
Surrounding air temperature (operation)	-20 ... +55 °C
Surrounding air temperature (storage)	-40 ... +80 °C

Switching Module 789 Series



Switching Module; with off switch;
Switching voltage: 250 VAC; Switching current: 16 A

	Item No.	Pack. Unit
	789-801	1



Electrical Data

Switching voltage (max.)	≤ 250 VAC
Switching current (resistive) max.	16 A
Inrush current (max.)	100 A (capacitive)
Contact gap	≥ 3 mm
Contact resistance	≤ 100 mΩ (12 V / 1 ADC, new condition)
Insulation resistance	> 100 MΩ (500 VDC, new condition)
Electrical life (NO; resistive load; 23 °C)	10 x 10 ³ switching operations
Mechanical life	50 x 10 ³ switching operations

Safety and Protection

Pollution degree	2
Rated voltage	250 V
Rated surge voltage	4 kV
Dielectric strength, open contact (AC, 1 min)	1.25 kV _{rms}

Connection Data

Connection technology	CAGE CLAMP®
Solid conductor	0,2 ... 2,5 mm ² / 24 ... 14 AWG
Fine-stranded conductor	0,2 ... 2,5 mm ² / 24 ... 14 AWG
Strip Length	9 ... 10 mm / 0.35 ... 0.39 inch

Physical Data

Width	17.5 mm / 0.689 inch
Height from upper-edge of DIN-rail	55 mm / 2.165 inch
Depth	90 mm / 3.543 inch

Mechanical Data

Mounting type	DIN-35 rail
---------------	-------------

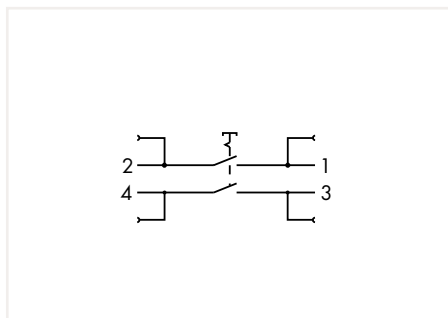
Material Data

Weight	41.7 g
Contact material	Ag alloy

Environmental Requirements

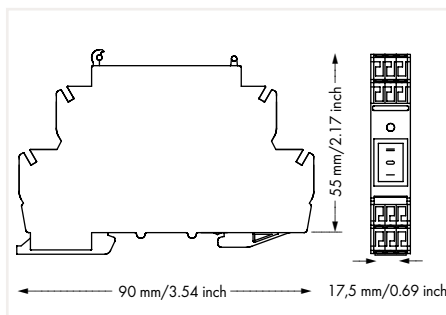
Surrounding air temperature (operation)	-20 ... +55 °C
Surrounding air temperature (storage)	-40 ... +80 °C

Switching Module 789 Series



Switching Module; with 2-pole off switch;
Switching voltage: 250 VAC; Switching current: 16 A

Item No.	Pack. Unit
789-802	1



Electrical Data

Switching voltage (max.)	≤ 250 VAC
Switching current (resistive) max.	16 A
Inrush current (max.)	100 A (capacitive)
Contact gap	≥ 3 mm
Contact resistance	≤ 100 mΩ (12 V / 1 ADC, new condition)
Insulation resistance	> 100 MΩ (500 VDC, new condition)
Electrical life (NO; resistive load; 23 °C)	10 x 10 ³ switching operations
Mechanical life	50 x 10 ³ switching operations

Safety and Protection

Pollution degree	2
Rated voltage	250 V
Rated surge voltage	4 kV
Dielectric strength, open contact (AC, 1 min)	1.25 kV _{rms}

Connection Data

Connection technology	CAGE CLAMP®
Solid conductor	0,2 ... 2,5 mm ² / 24 ... 14 AWG
Fine-stranded conductor	0,2 ... 2,5 mm ² / 24 ... 14 AWG
Strip Length	9 ... 10 mm / 0.35 ... 0.39 inch

Physical Data

Width	17.5 mm / 0.689 inch
Height from upper-edge of DIN-rail	55 mm / 2.165 inch
Depth	90 mm / 3.543 inch

Mechanical Data

Mounting type	DIN-35 rail
---------------	-------------

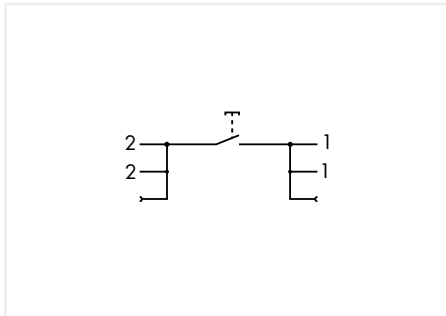
Material Data

Weight	45.9 g
Contact material	Ag alloy

Environmental Requirements

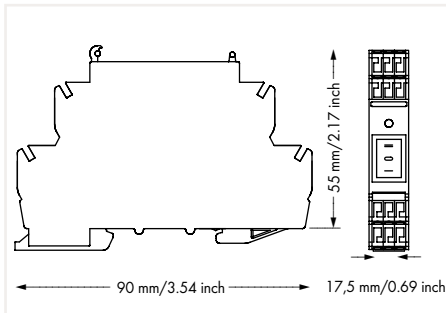
Surrounding air temperature (operation)	-20 ... +55 °C
Surrounding air temperature (storage)	-40 ... +80 °C

Switching Module 789 Series



Switching Module; with off button;
Switching voltage: 250 VAC; Switching current: 16 A

Item No.	Pack. Unit
789-803	1



Electrical Data

Switching voltage (max.)	≤ 250 VAC
Switching current (resistive) max.	16 A
Inrush current (max.)	100 A (capacitive)
Contact gap	≥ 3 mm
Contact resistance	≤ 100 mΩ (12 V / 1 ADC, new condition)
Insulation resistance	> 100 MΩ (500 VDC, new condition)
Electrical life (NO; resistive load; 23 °C)	10 x 10 ³ switching operations
Mechanical life	50 x 10 ³ switching operations

Safety and Protection

Pollution degree	2
Rated voltage	250 V
Rated surge voltage	4 kV
Dielectric strength, open contact (AC, 1 min)	1.25 kV _{rms}

Connection Data

Connection technology	CAGE CLAMP®
Solid conductor	0,2 ... 2,5 mm ² / 24 ... 14 AWG
Fine-stranded conductor	0,2 ... 2,5 mm ² / 24 ... 14 AWG
Strip Length	9 ... 10 mm / 0.35 ... 0.39 inch

Physical Data

Width	17.5 mm / 0.689 inch
Height from upper-edge of DIN-rail	55 mm / 2.165 inch
Depth	90 mm / 3.543 inch

Mechanical Data

Mounting type	DIN-35 rail
---------------	-------------

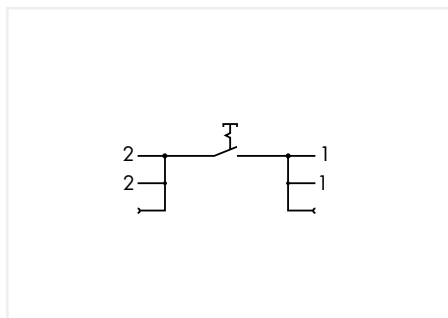
Material Data

Weight	42.4 g
Contact material	Ag alloy

Environmental Requirements

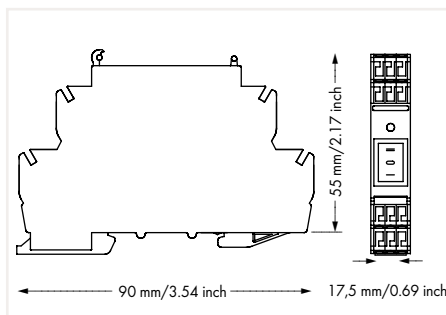
Surrounding air temperature (operation)	-20 ... +55 °C
Surrounding air temperature (storage)	-40 ... +80 °C

Switching Module 789 Series



Switching Module; with off button;
Switching voltage: 250 VAC; Switching current: 16 A

Item No.	Pack. Unit
789-804	1



Electrical Data

Switching voltage (max.)	≤ 250 VAC
Switching current (resistive) max.	16 A
Inrush current (max.)	100 A (capacitive)
Contact gap	≥ 3 mm
Contact resistance	≤ 100 mΩ (12 V / 1 ADC, new condition)
Insulation resistance	> 100 MΩ (500 VDC, new condition)
Electrical life (NO; resistive load; 23 °C)	10 x 10 ³ switching operations
Mechanical life	50 x 10 ³ switching operations

Safety and Protection

Pollution degree	2
Rated voltage	250 V
Rated surge voltage	4 kV
Dielectric strength, open contact (AC, 1 min)	1.25 kV _{rms}

Connection Data

Connection technology	CAGE CLAMP®
Solid conductor	0,2 ... 2,5 mm ² / 24 ... 14 AWG
Fine-stranded conductor	0,2 ... 2,5 mm ² / 24 ... 14 AWG
Strip Length	9 ... 10 mm / 0.35 ... 0.39 inch

Physical Data

Width	17.5 mm / 0.689 inch
Height from upper-edge of DIN-rail	55 mm / 2.165 inch
Depth	90 mm / 3.543 inch

Mechanical Data

Mounting type	DIN-35 rail
---------------	-------------

Material Data

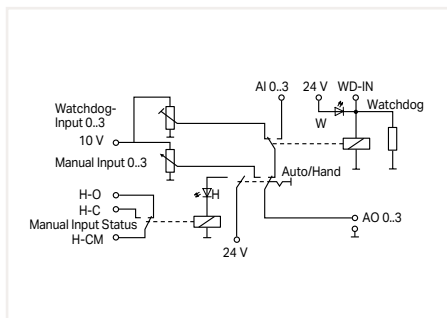
Weight	40.8 g
Contact material	Ag alloy

Environmental Requirements

Surrounding air temperature (operation)	-20 ... +55 °C
Surrounding air temperature (storage)	-40 ... +80 °C

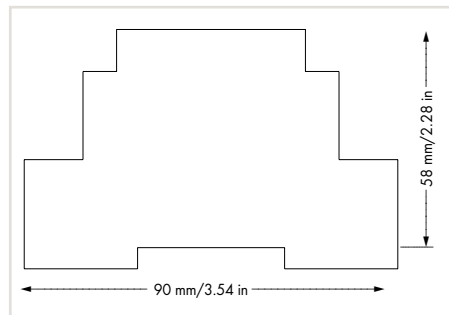
7

Manual Operation Module 789 Series



Manual Operation Module; 4 analog outputs

	Item No.	Pack. Unit
	789-811	1



Short description:

The 789-811 Analog Manual Operation Module monitors 0 ... 3 analog inputs. Depending on both manual/automatic switch and watchdog input, 0 to 10 V set voltage is transmitted to the output.

Electrical Data

Nominal operating voltage	24 VDC
Operating voltage range	±20 %
Inputs	No. 1 / 10: 24 V; Power supply; No. 2: GND; No. 3 / 4 / 5 / 6: AI-0 ... 3; Input 0 ... 3; 0 ... 10 V / max. 20 mA; No. 11: WD-IN; Watchdog input; 24 V / max. 20 mA
Outputs	No. 7: H-C; Manual operation; "closed"; No. 8: H-CM; Manual operation; "common"; No. 9: H-O; Manual operation; "open"; No. 12 / 15 / 18 / 21: DO-0 ... 3-NC; Channel 0 ... 3; Break contact; 250 VAC / 30 VDC; 8 A; No. 13 / 16 / 19 / 22: DO-0 ... 3-CM; Channel 0 ... 3; Common; No. 14 / 17 / 20 / 23: DO-0 ... 3-NO; Channel 0 ... 3; Make contact; 250 VAC / 30 VDC; 8 A

Connection Data

Connection technology 1	CAGE CLAMP®
Solid conductor 1	0.08 ... 1.5 mm ² / 28 ... 14 AWG
Fine-stranded conductor 1	0.08 ... 1.5 mm ² / 28 ... 14 AWG
Strip length 1	7 mm / 0.28 inch
Connection technology 2	CAGE CLAMP®
Solid conductor 2	0.08 ... 2.5 mm ² / 28 ... 12 AWG
Fine-stranded conductor 2	0.08 ... 2.5 mm ² / 28 ... 12 AWG
Strip length 2	8 ... 9 mm / 0.31 ... 0.35 inch

Physical Data

Width	106 mm / 4.173 inch
Height from upper-edge of DIN-rail	58 mm / 2.283 inch
Depth	90 mm / 3.543 inch

Mechanical Data

Mounting type	DIN-35 rail
---------------	-------------

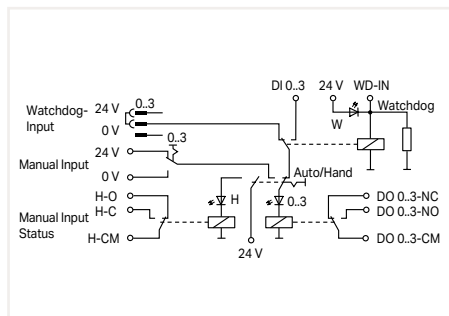
Material Data

Weight	199.5 g
--------	---------

Environmental Requirements

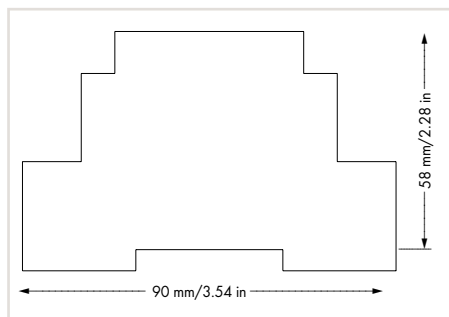
Surrounding air temperature (operation)	0 ... 50 °C
Surrounding air temperature (storage)	-25 ... +70 °C

Manual Operation Module 789 Series



Manual Operation Module; 4 digital outputs

Item No.	Pack. Unit
789-810	1



Short description:

The 789-810 Digital Manual Operation Module monitors 0 ... 3 inputs and indicates their status via green LED and power relay's changeover contact. Depending on both the manual/automatic switch and watchdog input, the states 0 or 1 are transmitted (electrically isolated) via relay to the output.

Electrical Data

Nominal operating voltage	24 VDC
Operating voltage range	±20 %
Inputs	No. 1 / 10: 24 V; Power supply; No. 2: GND; No. 3 / 4 / 5 / 6: DI-0 ... 3; Input 0 ... 3; 24 V / max. 20 mA; No. 11: WD-IN; Watchdog input; 24 V / max. 20 mA
Outputs	No. 7: H-C; Manual operation; "closed"; No. 8: H-CM; Manual operation; "common"; No. 9: H-O; Manual operation; "open"; No. 12 / 15 / 18 / 21: GND; No. 13 / 16 / 19 / 22: AO-0 ... 3; Output 0 ... 3; 0 ... 10 V / max. 20 mA; No. 14 / 17 / 20 / 23: GND

Safety and Protection

Dielectric strength (input/output)	4 kV _{rms}
------------------------------------	---------------------

Connection Data

Connection technology 1	CAGE CLAMP®
Solid conductor 1	0.08 ... 1.5 mm ² / 28 ... 14 AWG
Fine-stranded conductor 1	0.08 ... 1.5 mm ² / 28 ... 14 AWG
Strip length 1	7 mm / 0.28 inch
Connection technology 2	CAGE CLAMP®
Solid conductor 2	0.08 ... 2.5 mm ² / 28 ... 12 AWG
Fine-stranded conductor 2	0.08 ... 2.5 mm ² / 28 ... 12 AWG
Strip length 2	8 ... 9 mm / 0.31 ... 0.35 inch

Physical Data

Width	106 mm / 4.173 inch
Height from upper-edge of DIN-rail	58 mm / 2.283 inch
Depth	90 mm / 3.543 inch

Mechanical Data

Mounting type	DIN-35 rail
---------------	-------------

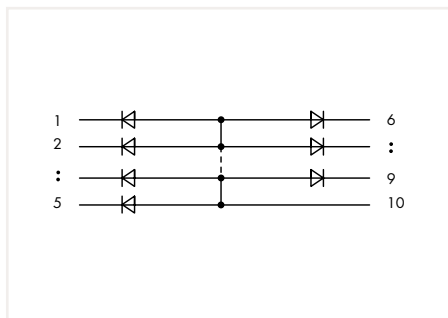
Material Data

Weight	251.6 g
--------	---------

Environmental Requirements

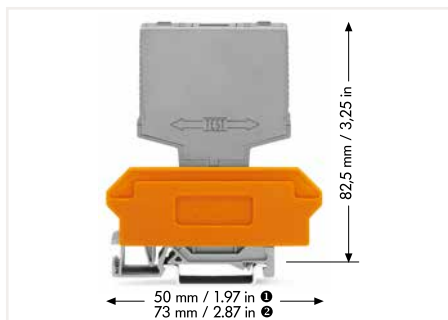
Surrounding air temperature (operation)	0 ... 50 °C
Surrounding air temperature (storage)	-25 ... +70 °C

Component Module with Diodes 286 Series



Component Module with a Diode; 1N4007 diode;
with common anode; plugs into rail-mount terminal
block; 10 mm wide

Module Width	Diodes	Item No.	Pack. Unit
10 mm/0.394 inch	3	286-803	1
15 mm/0.591 inch	5	286-805	1
20 mm/0.787 inch	7	286-807	1
25 mm/0.984 inch	9	286-809	1



Note:

Max. admissible current per the manufacturer's data sheet
– with all diodes loaded, the continuous current must be
reduced.

Electrical Data

Operating voltage	≤ 250 VAC/DC
Rectified current for each diode (resistive)	1 A
Peak reverse voltage	1000 V

Safety and Protection

Pollution degree	2
Rated voltage	250 V
Rated surge voltage	4 kV

Physical Data

Width	10 mm / 0.394 inch
Height from upper-edge of DIN-rail	82.5 mm / 3.25 inch
Depth	52 mm / 2.047 inch

Mechanical Data

Mounting type	Pluggable module for receptacle terminal blocks
---------------	---

Material Data

Weight	14.4 g
--------	--------

Environmental Requirements

Surrounding air temperature (operation)	-25 ... +40 °C
Relative humidity	5 ... 95 % (no condensation permissible)
Operating altitude (max.)	2000 m

Component Module with Diodes 286 Series

Accessories



Terminal block for pluggable modules; 4-pole; with 2-conductor terminal blocks; with orange separator; for 35 x 15 mm and 35 x 7.5 mm DIN-rails; 2.5 mm²

Width	Item No.	Pack. Unit
12 mm	280-618	40



Terminal block for pluggable modules; 8-pole; with 4-conductor terminal blocks; with orange separator; for 35 x 15 mm and 35 x 7.5 mm DIN-rails; 2.5 mm²

Width	Item No.	Pack. Unit
12 mm	280-608	40



Terminal block for pluggable modules; 8-pole; with 4-conductor terminal blocks; with marker carrier; with orange separator; for 35 x 15 mm and 35 x 7.5 mm DIN-rails; 2.5 mm²

Width	Item No.	Pack. Unit
15 mm	280-762	30



Terminal block for pluggable modules; 6-pole; with 2-conductor terminal blocks; with orange separator; for 35 x 15 mm and 35 x 7.5 mm DIN-rails; 2.5 mm²

Width	Item No.	Pack. Unit
17 mm	280-619	30



Terminal block for pluggable modules; 12-pole; with 4-conductor terminal blocks; with orange separator; for 35 x 15 mm and 35 x 7.5 mm DIN-rails; 2.5 mm²

Width	Item No.	Pack. Unit
17 mm	280-609	30



Terminal block for pluggable modules; 12-pole; with 4-conductor terminal blocks; with marker carrier; with orange separator; for 35 x 15 mm and 35 x 7.5 mm DIN-rails; 2.5 mm²

Width	Item No.	Pack. Unit
20 mm	280-763	25



Terminal block for pluggable modules; 8-pole; with 2-conductor terminal blocks; with orange separator; for 35 x 15 mm and 35 x 7.5 mm DIN-rails; 2.5 mm²

Width	Item No.	Pack. Unit
22 mm	280-638	20



Terminal block for pluggable modules; 16-pole; with 4-conductor terminal blocks; with orange separator; for 35 x 15 mm and 35 x 7.5 mm DIN-rails; 2.5 mm²

Width	Item No.	Pack. Unit
22 mm	280-628	20



Terminal block for pluggable modules; 16-pole; with 4-conductor terminal blocks; with marker carrier; with orange separator; for 35 x 15 mm and 35 x 7.5 mm DIN-rails; 2.5 mm²

Width	Item No.	Pack. Unit
25 mm	280-764	20



Terminal block for pluggable modules; 10-pole; with 2-conductor terminal blocks; with orange separator; for 35 x 15 mm and 35 x 7.5 mm DIN-rails; 2.5 mm²

Width	Item No.	Pack. Unit
27 mm	280-639	15



Terminal block for pluggable modules; 20-pole; with 4-conductor terminal blocks; with orange separator; for 35 x 15 mm and 35 x 7.5 mm DIN-rails; 2.5 mm²

Width	Item No.	Pack. Unit
27 mm	280-629	15

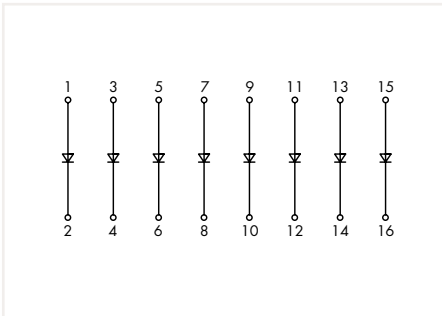
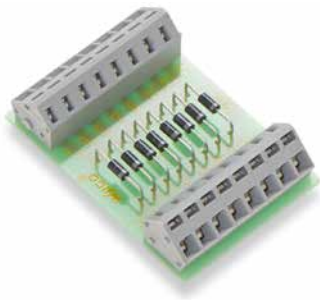


Terminal block for pluggable modules; 20-pole; with 4-conductor terminal blocks; with marker carrier; with orange separator; for 35 x 15 mm and 35 x 7.5 mm DIN-rails; 2.5 mm²

Width	Item No.	Pack. Unit
30 mm	280-765	15

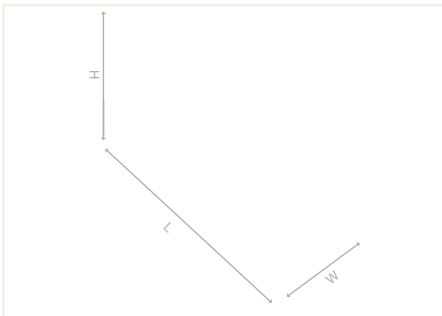
7

Component Module with Diodes 289 Series



Component Module with Diodes; with 8 diodes;
1N4007 diode

Item No.	Pack. Unit
289-101	1



Notice!

Live parts are likely to be touched! Protection against direct contact must be provided by the equipment manufacturer, e.g., using a WAGO 709 Series Cover (see "Accessories") or a similar cover. The installation regulations must be observed for each individual application.

Note:

Max. admissible current per the manufacturer's data sheet – with all diodes loaded, the continuous current must be reduced.

Electrical Data

Operating voltage	≤ 250 VAC/DC
Rectified current for each diode	1 A
Forward voltage per diode	1.1 V
Forward current per diode (resistive)	1 A
Peak reverse voltage	1000 V
Leakage current	50 µA

Safety and Protection

Pollution degree	2
Rated voltage	250 V
Rated surge voltage	4 kV
Protection class	IP00

Connection Data

Connection technology	CAGE CLAMP®
Solid conductor	0.08 ... 2.5 mm² / 28 ... 12 AWG
Fine-stranded conductor	0.08 ... 2.5 mm² / 28 ... 12 AWG
Strip Length	5 ... 6 mm / 0.2 ... 0.24 inch

Physical Data

Width	47 mm / 1.85 inch
Height from upper-edge of DIN-rail	31.5 mm / 1.24 inch
Depth	65.5 mm / 2.579 inch

Mechanical Data

Mounting type	Mounting on DIN-rail via DIN-rail adapter
---------------	---

Material Data

Weight	24.9 g
--------	--------

Environmental Requirements

Surrounding air temperature (operation)	-25 ... +40 °C
---	----------------

Accessories



Mounting carrier; for screw or DIN-rail mounting	
Item No.	Pack. Unit
288-001	50



Universal mounting foot; for DIN-15/35/32 rails	
Item No.	Pack. Unit
288-002	100



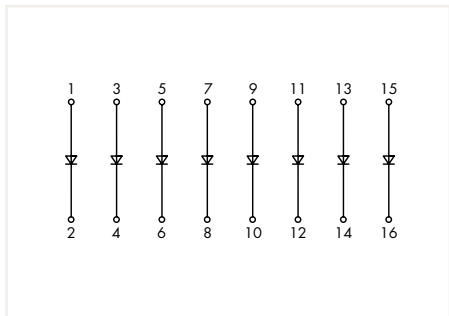
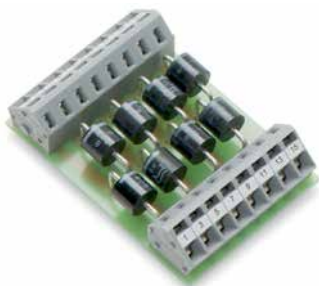
Cover carrier; Type 1; incl. mounting/securing screws and knurled nuts	
Item No.	Pack. Unit
709-167	10



Cover; Type 1; for cover carrier (type 1); 1 m long	
Item No.	Pack. Unit
709-153	10

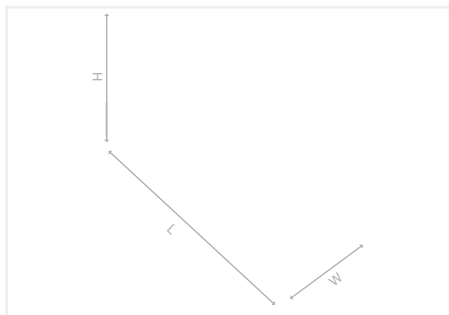
7

Component Module with Diodes 289 Series



Component Module with Diodes; with 8 diodes;
P600B diode

Item No.	Pack. Unit
289-103	1



Notice!

Live parts are likely to be touched! Protection against direct contact must be provided by the equipment manufacturer, e.g., using a WAGO 709 Series Cover (see "Accessories") or a similar cover.

The installation regulations must be observed for each individual application.

Note:

Max. admissible current per the manufacturer's data sheet – with all diodes loaded, the continuous current must be reduced.

Electrical Data

Operating voltage	≤ 100 VAC/DC
Rectified current for each diode	6 A
Forward voltage per diode	1 V
Forward current per diode (resistive)	6 A
Peak reverse voltage	100 V
Leakage current	5 μA

Safety and Protection

Pollution degree	2
Rated voltage	250 V
Rated surge voltage	4 kV
Protection class	IP00

Connection Data

Connection technology	CAGE CLAMP®
Solid conductor	0.08 ... 2.5 mm ² / 28 ... 12 AWG
Fine-stranded conductor	0.08 ... 2.5 mm ² / 28 ... 12 AWG
Strip Length	5 ... 6 mm / 0.2 ... 0.24 inch

Physical Data

Width	47 mm / 1.85 inch
Height from upper-edge of DIN-rail	31.5 mm / 1.24 inch
Depth	65.5 mm / 2.579 inch

Mechanical Data

Mounting type	Mounting on DIN-rail via DIN-rail adapter
---------------	---

Material Data

Weight	19 g
--------	------

Environmental Requirements

Surrounding air temperature (operation)	-25 ... +40 °C
---	----------------

Accessories



Mounting carrier; for screw or DIN-rail mounting

Item No.	Pack. Unit
288-001	50



Universal mounting foot; for DIN-15/35/32 rails

Item No.	Pack. Unit
288-002	100



Cover carrier; Type 1; incl. mounting/securing screws and knurled nuts

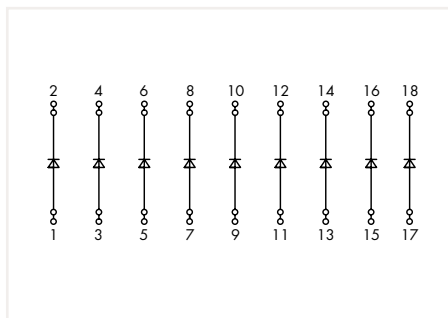
Item No.	Pack. Unit
709-167	10



Cover; Type 1; for cover carrier (type 1); 1 m long

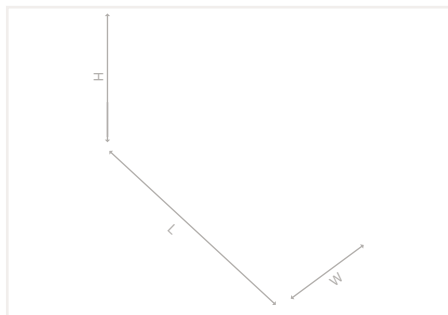
Item No.	Pack. Unit
709-153	10

Component Module with Diodes 289 Series



Component Module with Diodes; with 9 diodes;
1N5408 diode

Item No.	Pack. Unit
289-105	1



Notice!

Live parts are likely to be touched! Protection against direct contact must be provided by the equipment manufacturer, e.g., using a WAGO 709 Series Cover (see "Accessories") or a similar cover.

The installation regulations must be observed for each individual application.

Note:

Max. admissible current per the manufacturer's data sheet – with all diodes loaded, the continuous current must be reduced.

Electrical Data

Operating voltage	≤ 250 VAC/DC
Rectified current for each diode	3 A
Forward voltage per diode	1.3 V
Forward current per diode (resistive)	3 A
Peak reverse voltage	1000 V
Leakage current	10 μA

Safety and Protection

Pollution degree	2
Rated voltage	250 V
Rated surge voltage	4 kV
Protection class	IP00

Connection Data

Connection technology	CAGE CLAMP®
Solid conductor	0.08 ... 2.5 mm ² / 28 ... 12 AWG
Fine-stranded conductor	0.08 ... 2.5 mm ² / 28 ... 12 AWG
Strip Length	5 ... 6 mm / 0.2 ... 0.24 inch

Physical Data

Width	51 mm / 2.008 inch
Height from upper-edge of DIN-rail	48 mm / 1.89 inch
Depth	85 mm / 3.346 inch

Mechanical Data

Mounting type	DIN-35 rail
---------------	-------------

Material Data

Weight	80.6 g
--------	--------

Environmental Requirements

Surrounding air temperature (operation)	-25 ... +40 °C
---	----------------

Accessories



Cover carrier; Type 1; incl. mounting/securing screws and knurled nuts

Item No.	Pack. Unit
709-167	10



Cover; Type 1; for cover carrier (type 1); 1 m long

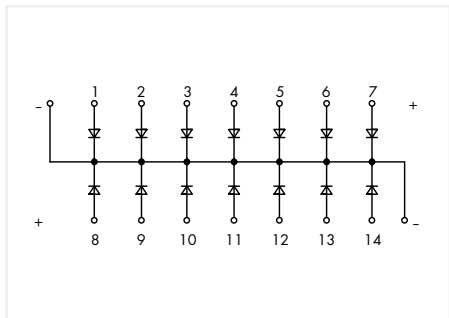
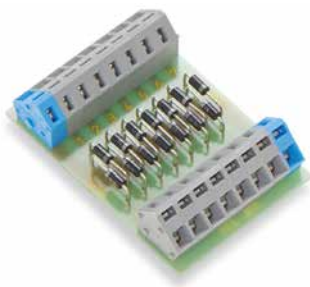
Item No.	Pack. Unit
709-153	10



Marking strip; for mounting carrier; 7.5 mm wide; 50 m reel

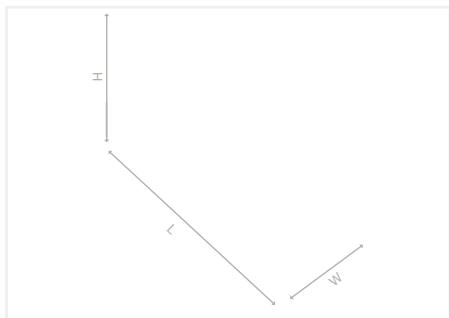
Item No.	Pack. Unit
709-178	1

Component Module with Diodes 289 Series



Component Module with Diodes; with 14 diodes;
1N4007 diode; with common cathode

Item No.	Pack. Unit
289-111	1



Notice!

Live parts are likely to be touched! Protection against direct contact must be provided by the equipment manufacturer, e.g., using a WAGO 709 Series Cover (see "Accessories") or a similar cover.

The installation regulations must be observed for each individual application.

Note:

Max. admissible current per the manufacturer's data sheet – with all diodes loaded, the continuous current must be reduced.

Electrical Data

Operating voltage	≤ 250 VAC/DC
Rectified current for each diode	1 A
Forward voltage per diode	1.1 V
Forward current per diode (resistive)	1 A
Peak reverse voltage	1000 V
Leakage current	50 µA

Safety and Protection

Pollution degree	2
Rated voltage	250 V
Rated surge voltage	4 kV
Protection class	IP00

Connection Data

Connection technology	CAGE CLAMP®
Solid conductor	0.08 ... 2.5 mm ² / 28 ... 12 AWG
Fine-stranded conductor	0.08 ... 2.5 mm ² / 28 ... 12 AWG
Strip Length	5 ... 6 mm / 0.2 ... 0.24 inch

Physical Data

Width	47 mm / 1.85 inch
Height from upper-edge of DIN-rail	31.5 mm / 1.24 inch
Depth	65.5 mm / 2.579 inch

Mechanical Data

Mounting type	Mounting on DIN-rail via DIN-rail adapter
---------------	---

Material Data

Weight	25.6 g
--------	--------

Environmental Requirements

Surrounding air temperature (operation)	-25 ... +40 °C
---	----------------

Accessories



Mounting carrier; for screw or DIN-rail mounting

Item No.	Pack. Unit
288-001	50



Universal mounting foot; for DIN-15/35/32 rails

Item No.	Pack. Unit
288-002	100



Cover carrier; Type 1; incl. mounting/securing screws and knurled nuts

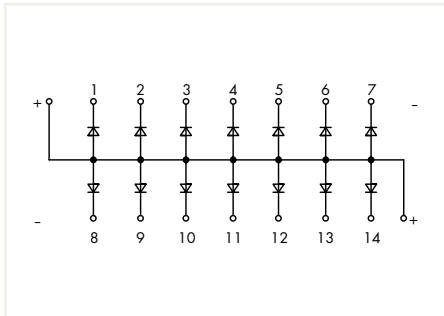
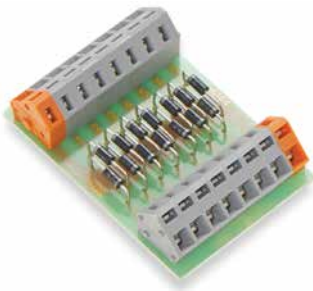
Item No.	Pack. Unit
709-167	10



Cover; Type 1; for cover carrier (type 1); 1 m long

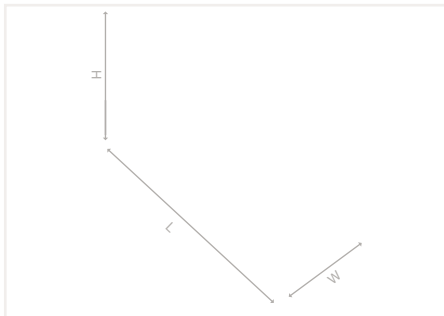
Item No.	Pack. Unit
709-153	10

Component Module with Diodes 289 Series



Component Module with Diodes; with 14 diodes;
1N4007 diode; with common anode

Item No.	Pack. Unit
289-121	1



Notice!

Live parts are likely to be touched! Protection against direct contact must be provided by the equipment manufacturer, e.g., using a WAGO 709 Series Cover (see "Accessories") or a similar cover.

The installation regulations must be observed for each individual application.

Note:

Max. admissible current per the manufacturer's data sheet – with all diodes loaded, the continuous current must be reduced.

Electrical Data

Operating voltage	≤ 250 VAC/DC
Rectified current for each diode	1 A
Forward voltage per diode	1.1 V
Forward current per diode (resistive)	1 A
Peak reverse voltage	1000 V
Reverse current per diode	50 μA

Safety and Protection

Pollution degree	2
Rated voltage	250 V
Rated surge voltage	4 kV
Protection class	IP00

Connection Data

Connection technology	CAGE CLAMP®
Solid conductor	0.08 ... 2.5 mm ² / 28 ... 12 AWG
Fine-stranded conductor	0.08 ... 2.5 mm ² / 28 ... 12 AWG
Strip Length	5 ... 6 mm / 0.2 ... 0.24 inch

Physical Data

Width	47 mm / 1.85 inch
Height from upper-edge of DIN-rail	31.5 mm / 1.24 inch
Depth	65.5 mm / 2.579 inch

Mechanical Data

Mounting type	Mounting on DIN-rail via DIN-rail adapter
---------------	---

Material Data

Weight	25.3 g
--------	--------

Environmental Requirements

Surrounding air temperature (operation)	-25 ... +40 °C
---	----------------

Accessories



Mounting carrier; for screw or DIN-rail mounting

Item No.	Pack. Unit
288-001	50



Universal mounting foot; for DIN-15/35/32 rails

Item No.	Pack. Unit
288-002	100



Cover carrier; Type 1; incl. mounting/securing screws and knurled nuts

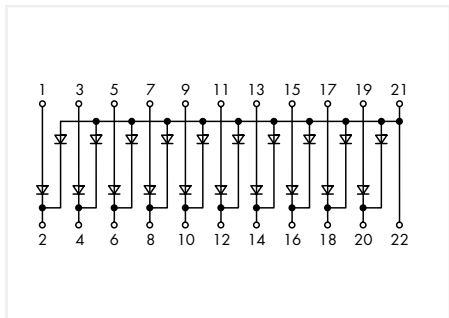
Item No.	Pack. Unit
709-167	10



Cover; Type 1; for cover carrier (type 1); 1 m long

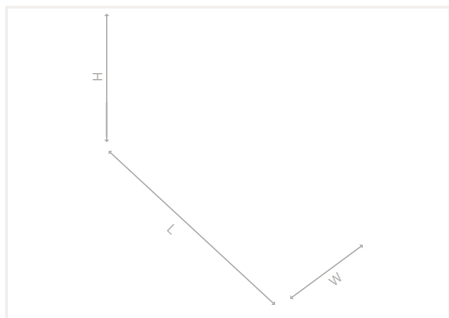
Item No.	Pack. Unit
709-153	10

Component Module with Diodes 289 Series



Component Module with Diodes; with 20 diodes;
EM513 diode

	Item No.	Pack. Unit
	289-151	1



Notice!

Live parts are likely to be touched! Protection against direct contact must be provided by the equipment manufacturer, e.g., using a WAGO 709 Series Cover (see "Accessories") or a similar cover.

The installation regulations must be observed for each individual application.

Note:

Max. admissible current per the manufacturer's data sheet – with all diodes loaded, the continuous current must be reduced.

Electrical Data

Operating voltage	≤ 250 VAC/DC
Rectified current for each diode	1 A
Forward voltage per diode	1.1 V
Forward current per diode (resistive)	1 A
Peak reverse voltage	1600 V
Leakage current	50 μA

Safety and Protection

Pollution degree	2
Rated voltage	250 V
Rated surge voltage	4 kV
Protection class	IP00

Connection Data

Connection technology	CAGE CLAMP®
Solid conductor	0.08 ... 2.5 mm ² / 28 ... 12 AWG
Fine-stranded conductor	0.08 ... 2.5 mm ² / 28 ... 12 AWG
Strip Length	5 ... 6 mm / 0.2 ... 0.24 inch

Physical Data

Width	69 mm / 2.717 inch
Height from upper-edge of DIN-rail	21 mm / 0.827 inch
Depth	50 mm / 1.969 inch

Mechanical Data

Mounting type	DIN-35 rail
---------------	-------------

Material Data

Weight	35.5 g
--------	--------

Environmental Requirements

Surrounding air temperature (operation)	-25 ... +40 °C
---	----------------

Accessories



Cover carrier; Type 1; incl. mounting/securing screws and knurled nuts

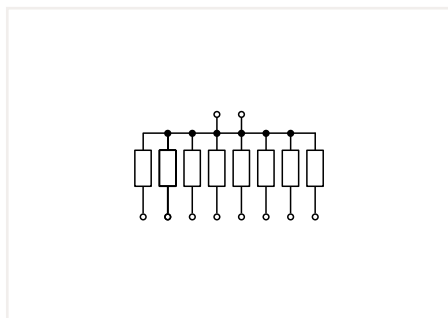
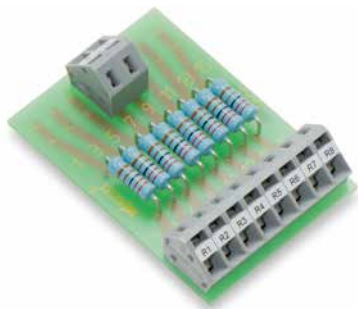
	Item No.	Pack. Unit
	709-167	10



Cover; Type 1; for cover carrier (type 1); 1 m long

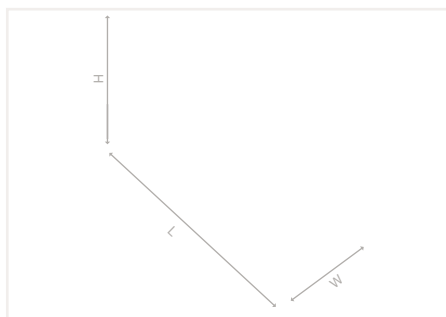
	Item No.	Pack. Unit
	709-153	10

Component Module with Resistors 289 Series



Component Module with Resistors; with 8 resistors;
2K2 resistor; 1 Watt

Item No.	Pack. Unit
289-113	1



Note:

- Max. admissible capacity of a single resistor – with all resistors loaded, the max. admissible power dissipation must be reduced.
- Other resistors are available upon request!

General Specifications

Operating voltage	≤ 40 VAC/DC
Power dissipation, component (P70)	1 W
Resistance	2K2
Resistor type	DIN 0414
Temperature coefficient	50 ppm
Tolerance	± 1 %

Safety and Protection

Rated voltage	250 V
Rated surge voltage	4 kV

Connection Data

Connection technology	CAGE CLAMP®
Solid conductor	0.08 ... 2.5 mm ² / 28 ... 12 AWG
Fine-stranded conductor	0.08 ... 2.5 mm ² / 28 ... 12 AWG
Strip Length	5 ... 6 mm / 0.2 ... 0.24 inch

Physical Data

Width	47 mm / 1.85 inch
Height from upper-edge of DIN-rail	31.5 mm / 1.24 inch
Depth	65.5 mm / 2.579 inch

Mechanical Data

Mounting type	Mounting on DIN-rail via DIN-rail adapter
---------------	---

Material Data

Weight	18.9 g
--------	--------

Environmental Requirements

Surrounding air temperature (operation)	-25 ... +40 °C
---	----------------

Accessories



Mounting carrier; for screw or DIN-rail mounting

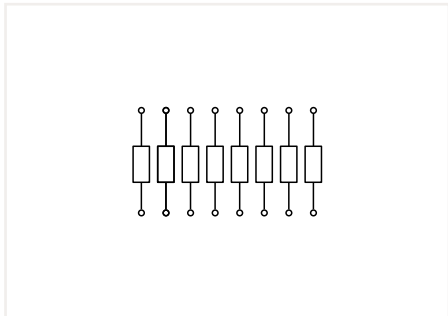
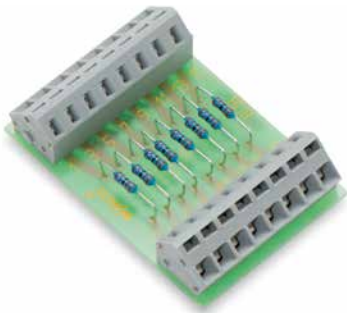
Item No.	Pack. Unit
288-001	50



Universal mounting foot; for DIN-15/35/32 rails

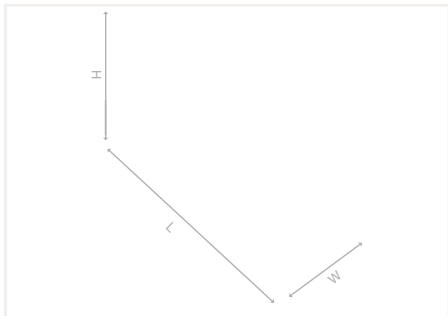
Item No.	Pack. Unit
288-002	100

Component Module with Resistors 289 Series



Component Module with Resistors; with 8 resistors;
2K7 resistor; 0.6 Watt

Item No.	Pack. Unit
289-114	1



Note:

- Max. admissible capacity of a single resistor – with all resistors loaded, the max. admissible power dissipation must be reduced.
- Other resistors are available upon request!

General Specifications

Operating voltage	≤ 40 VAC/DC
Power dissipation, component (P70)	0.6 W
Resistance	2K7
Resistor type	DIN 0207
Temperature coefficient	50 ppm
Tolerance	±1 %

Connection Data

Connection technology	CAGE CLAMP®
Solid conductor	0.08 ... 2.5 mm ² / 28 ... 12 AWG
Fine-stranded conductor	0.08 ... 2.5 mm ² / 28 ... 12 AWG
Strip Length	5 ... 6 mm / 0.2 ... 0.24 inch

Physical Data

Width	47 mm / 1.85 inch
Height from upper-edge of DIN-rail	31.5 mm / 1.24 inch
Depth	65.5 mm / 2.579 inch

Mechanical Data

Mounting type	Mounting on DIN-rail via DIN-rail adapter
---------------	---

Material Data

Weight	23.4 g
--------	--------

Environmental Requirements

Surrounding air temperature (operation)	-25 ... +40 °C
---	----------------

Accessories



Mounting carrier; for screw or DIN-rail mounting

Item No.	Pack. Unit
288-001	50



Universal mounting foot; for DIN-15/35/32 rails

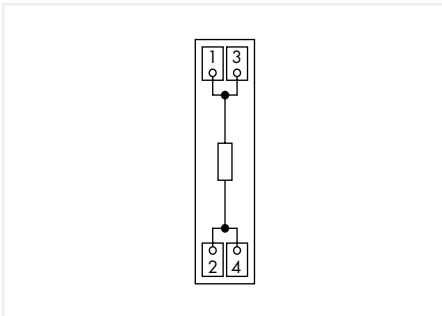
Item No.	Pack. Unit
288-002	100

Component Module with Resistors

289 Series

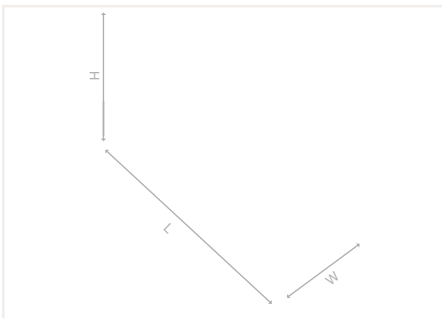


Picture of 289-128/003-000



Component Module with a Resistor; with 1 resistor; 5 Watt

Resistance	Item No.	Pack. Unit
100R	289-128/005-000	1
270R	289-128/006-000	1
2K4	289-128/001-000	1
4K7	289-128/002-000	1
6K8	289-128/003-000	1
9K1	289-128	1



Notice!

Live parts are likely to be touched! Protection against direct contact must be provided by the equipment manufacturer, e.g., using a WAGO 709 Series Cover (see "Accessories") or a similar cover.

The installation regulations must be observed for each individual application.

Note:

- Depending on operating conditions, the components' temperature may exceed the limit temperature for accessible parts.
- Other resistors are available upon request!

General Specifications

Power dissipation, component (P70)	5 W
Temperature coefficient	50 ppm
Tolerance	±10 %

Safety and Protection

Protection class	IP00*
------------------	-------

Connection Data

Connection technology	CAGE CLAMP®
Solid conductor	0.08 ... 2.5 mm ² / 28 ... 12 AWG
Fine-stranded conductor	0.08 ... 2.5 mm ² / 28 ... 12 AWG
Strip Length	5 ... 6 mm / 0.2 ... 0.24 inch

Physical Data

Width	13 mm / 0.512 inch
Height from upper-edge of DIN-rail	34 mm / 1.339 inch
Depth	85 mm / 3.346 inch

Mechanical Data

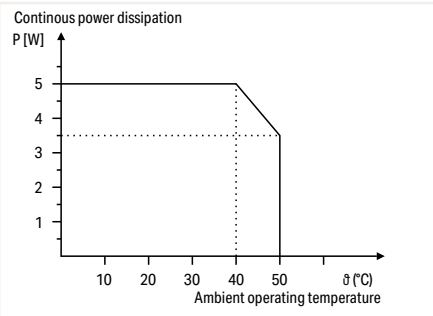
Mounting type	DIN-35 rail
---------------	-------------

Material Data

Weight	19.1 g
--------	--------

Environmental Requirements

Surrounding air temperature (operation)	-20 ... +50 °C (derating must be observed)
Surrounding air temperature (storage)	-40 ... +70 °C



Derating

Accessories



Cover carrier; Type 1; incl. mounting/securing screws and knurled nuts

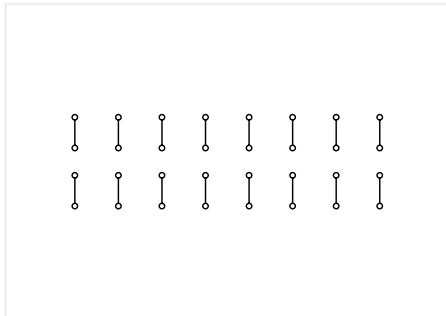
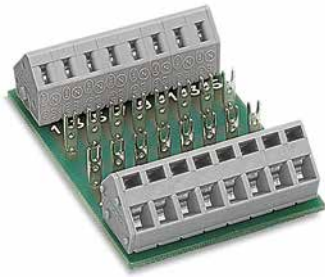
Item No.	Pack. Unit
709-167	10



Cover; Type 1; for cover carrier (type 1); 1 m long

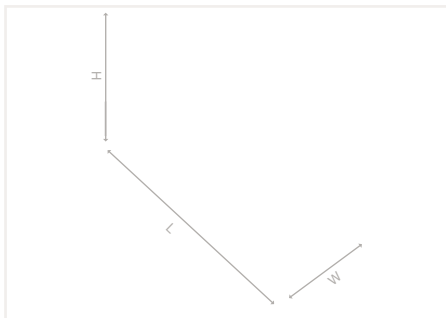
Item No.	Pack. Unit
709-153	10

PCB for Self-Assembly 289 Series



PCB for Self-Assembly; with 8 mounting positions

	Item No.	Pack. Unit
	289-102	1
with solder terminals	289-131	1



Notice!

Live parts are likely to be touched! Protection against direct contact must be provided by the equipment manufacturer, e.g., using a WAGO 709 Series Cover (see "Accessories") or a similar cover. The installation regulations must be observed for each individual application.

General Specifications	
Operating voltage	≤ 250 VAC/DC
Nominal current	3 A
Safety and Protection	
Protection class	IP00
Connection Data	
Connection technology	CAGE CLAMP®
Solid conductor	0.08 ... 2.5 mm ² / 28 ... 12 AWG
Fine-stranded conductor	0.08 ... 2.5 mm ² / 28 ... 12 AWG
Strip Length	5 ... 6 mm / 0.2 ... 0.24 inch
Physical Data	
Width	47 mm / 1.85 inch
Height from upper-edge of DIN-rail	31.5 mm / 1.24 inch
Depth	65.5 mm / 2.579 inch
Mechanical Data	
Mounting type	Mounting on DIN-rail via DIN-rail adapter
Material Data	
Weight	22.2 g
Environmental Requirements	
Surrounding air temperature (operation)	-25 ... +40 °C

Accessories



Mounting carrier; for screw or DIN-rail mounting		
	Item No.	Pack. Unit
	288-001	50



Universal mounting foot; for DIN-15/35/32 rails		
	Item No.	Pack. Unit
	288-002	100

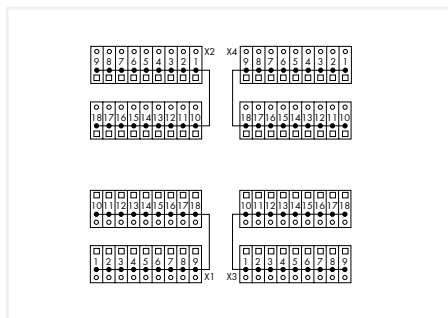
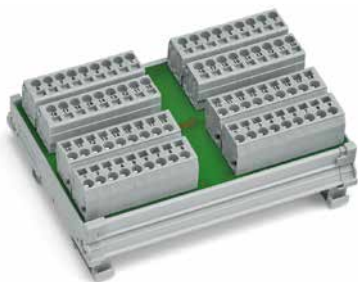


Cover carrier; Type 1; incl. mounting/securing screws and knurled nuts		
	Item No.	Pack. Unit
	709-167	10



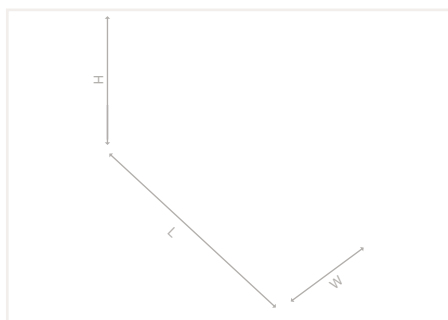
Cover; Type 1; for cover carrier (type 1); 1 m long		
	Item No.	Pack. Unit
	709-153	10

Potential Distribution Module 288 Series



Potential Distribution Module; 4 potentials;
each with 18 connection points

Item No.	Pack. Unit
288-825	1



General Specifications

Operating voltage	≤ 250 VAC/DC
Total current per potential (max.)	12 A
Current per connection (max.)	12 A

Safety and Protection

Pollution degree	2
Rated voltage	250 V
Rated surge voltage	4 kV

Connection Data

Total number of potentials	4
Connection technology	CAGE CLAMP®
Solid conductor	0.08 ... 2.5 mm ² / 28 ... 12 AWG
Fine-stranded conductor	0.08 ... 2.5 mm ² / 28 ... 12 AWG
Strip Length	8 ... 9 mm / 0.31 ... 0.35 inch

Physical Data

Width	115 mm / 4.528 inch
Height from upper-edge of DIN-rail	45 mm / 1.772 inch
Depth	85 mm / 3.346 inch

Mechanical Data

Mounting type	DIN-35 rail
---------------	-------------

Material Data

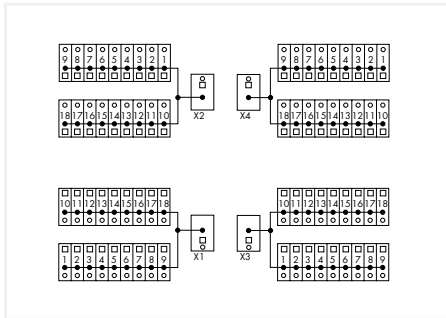
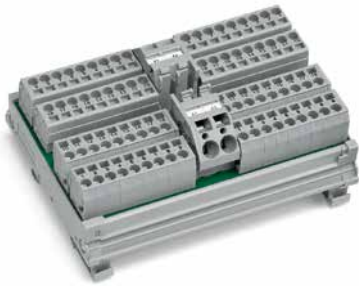
Weight	156.6 g
--------	---------

Environmental Requirements

Surrounding air temperature (operation)	-20 ... +50 °C
Surrounding air temperature (storage)	-40 ... +80 °C

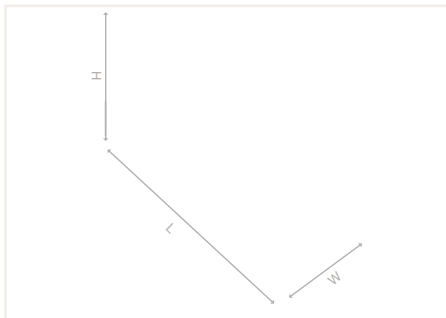
7

Potential Distribution Module 288 Series



Potential Distribution Module; 4 potentials;
each with 19 connection points

Item No.	Pack. Unit
288-837	1



General Specifications

Operating voltage	≤ 250 VAC/DC
Total current per potential (max.)	32 A
Current per connection (max.)	12 A

Safety and Protection

Pollution degree	2
Rated voltage	250 V
Rated surge voltage	4 kV

Connection Data

Total number of potentials	4
Connection type 1	Power supply
Connection technology 1	CAGE CLAMP®
Solid conductor 1	0.2 ... 6 mm ² / 24 ... 10 AWG
Fine-stranded conductor 1	0.2 ... 6 mm ² / 24 ... 10 AWG
Strip length 1	11 ... 12 mm / 0.43 ... 0.47 inch
Connection type 2	Connection points
Connection technology 2	CAGE CLAMP®
Solid conductor 2	0.08 ... 2.5 mm ² / 28 ... 12 AWG
Fine-stranded conductor 2	0.08 ... 2.5 mm ² / 28 ... 12 AWG
Strip length 2	8 ... 9 mm / 0.31 ... 0.35 inch

Physical Data

Width	115 mm / 4.528 inch
Height from upper-edge of DIN-rail	45 mm / 1.772 inch
Depth	85 mm / 3.346 inch

Mechanical Data

Mounting type	DIN-35 rail
---------------	-------------

Material Data

Weight	178.2 g
--------	---------

Environmental Requirements

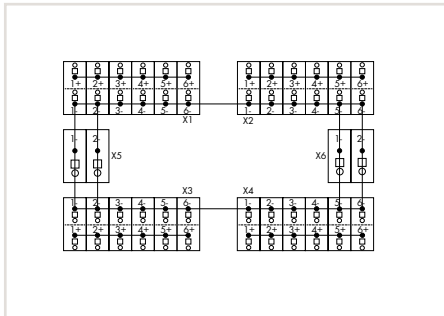
Surrounding air temperature (operation)	-20 ... +50 °C
Surrounding air temperature (storage)	-40 ... +80 °C

Accessories



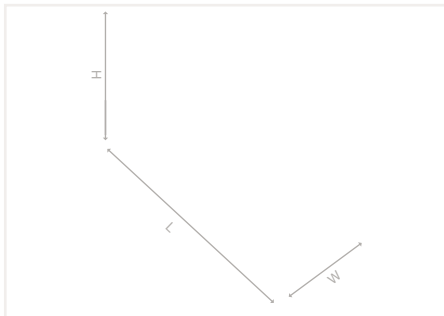
Item No.	Pack. Unit
745-382	250 (50)

Potential Distribution Module 288 Series



Potential Distribution Module; 4 potentials;
each with 6 connection points

Item No.	Pack. Unit
288-867	1



Features:

- May be used with electronic circuit breakers for 24 and 0 VDC power distribution, as a substitute for rail-mount terminal blocks
- Four potential groups for four output circuits
- Six connection points per potential group for positive and negative potentials
- On-unit commoned negative potential with optional commoning to adjacent modules via comb-style jumper bar (745-682)
- Marker carrier is available

General Specifications

Nominal operating voltage	24 VDC
Total current 0 V (max.)	40 A
Total current per potential (max.)	10 A
Current per connection (max.)	10 A

Safety and Protection

Pollution degree	2
Rated voltage	50 V
Rated surge voltage	0.8 kV

Connection Data

Total number of potentials	4
Connection type 1	Connection points
Connection technology 1	CAGE CLAMP®
Solid conductor 1	0.08 ... 2.5 mm ² / 28 ... 12 AWG
Fine-stranded conductor 1	0.08 ... 2.5 mm ² / 28 ... 12 AWG
Strip length 1	5 ... 6 mm / 0.2 ... 0.24 inch
Connection type 2	Power supply
Connection technology 2	CAGE CLAMP®
Solid conductor 2	0.2 ... 16 mm ² / 24 ... 6 AWG
Fine-stranded conductor 2	0.2 ... 16 mm ² / 24 ... 6 AWG
Strip length 2	12 ... 13 mm / 0.47 ... 0.51 inch

Physical Data

Depth	105 mm / 4.134 inch
Height from upper-edge of DIN-rail	50 mm / 1.969 inch
Width	70 mm / 2.756 inch

Mechanical Data

Mounting type	DIN-35 rail
---------------	-------------

Material Data

Weight	136.2 g
--------	---------

Environmental Requirements

Surrounding air temperature (operation)	-20 ... +50 °C
Surrounding air temperature (storage)	-40 ... +70 °C

Accessories

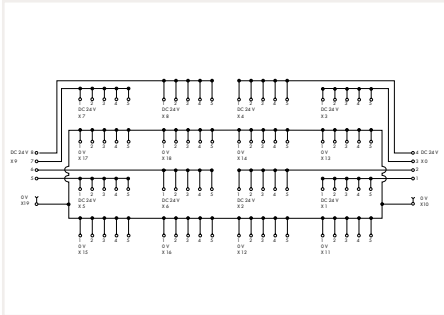


Comb-style jumper bar; 2-way

Item No.	Pack. Unit
745-682	400 (50)

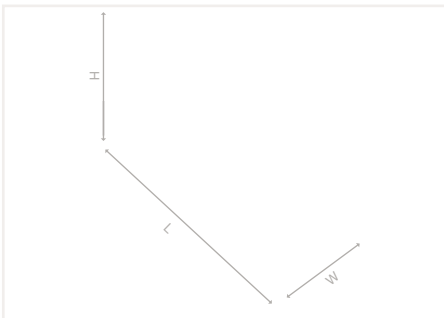
7

Potential Distribution Module 288 Series



Potential Distribution Module; 8 potentials;
each with 6 connection points;
with 42 ground connection points

Item No.	Pack. Unit
288-870/000-040	1



Features:

- May be used with electronic circuit breakers for 24 and 0 VDC power distribution, as a substitute for rail-mount terminal blocks
- Pre-wiring and electrical isolation of current paths via pluggable *picoMAX*® Female Headers
- Optional coding pins (2092-1610) protect against any inadvertent mixing of female headers
- Optional gripping plates with sliding connector release (2092-1601/002-000 or 2092-1602/002-000) provide conductor strain relief
- 0 V may be supplied to the adjacent modules via comb-style jumper bar (745-682) (Derating with jumper bar: -1 A/K > 60 °C surrounding air temperature)

General Specifications

Nominal operating voltage	24 VDC
Total current 0 V (max.)	76 A
Total current per potential (max.)	10 A
Current per connection (max.)	10 A

Connection Data

Total number of potentials	8
Connection type 1	Power supply 0 V
Mating direction 1	45°
Connection technology 1	CAGE CLAMP®
Solid conductor 1	0.2 ... 16 mm ² / 24 ... 6 AWG
Fine-stranded conductor 1	0.2 ... 16 mm ² / 24 ... 6 AWG
Strip length 1	12 ... 13 mm / 0.47 ... 0.51 inch
Connection type 2	Power supply 24 V; connection points
Mating direction 2	Vertical
Connection technology 2	Push-in CAGE CLAMP®
Solid conductor 2	0.2 ... 2.5 mm ² / 24 ... 12 AWG
Fine-stranded conductor 2	0.2 ... 2.5 mm ² / 24 ... 12 AWG
Strip length 2	9 ... 10 mm / 0.35 ... 0.39 inch

Physical Data

Width	154 mm / 6.063 inch
Height from upper-edge of DIN-rail	49 mm / 1.929 inch
Depth	85 mm / 3.346 inch

Mechanical Data

Mounting type	DIN-35 rail
---------------	-------------

Material Data

Weight	226.9 g
--------	---------

Environmental Requirements

Surrounding air temperature (operation)	-25 ... +70 °C (no condensation)
Surrounding air temperature (storage)	-40 ... +85 °C

Accessories



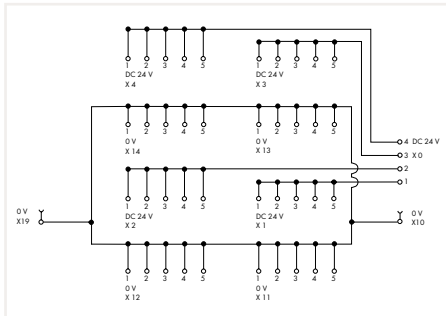
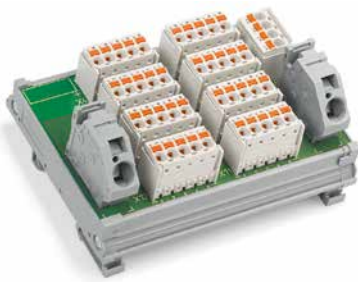
Comb-style jumper bar; 2-way

Coding pin carrier

Gripping plate with sliding connector release

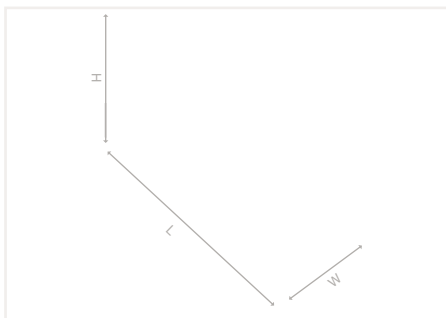
Item No.	Pack. Unit	Item No.	Pack. Unit	Description	Item No.	Pack. Unit
745-682	400 (50)	2092-1610	100 (25)	3- to 4-pole	2092-1601/002-000	100 (25)
				5- to 8-pole	2092-1602/002-000	100 (25)

Potential Distribution Module 288 Series



Potential Distribution Module; 4 potentials; each with 6 connection points; with 22 ground connection points

Item No.	Pack. Unit
288-870/000-030	1



Features:

- May be used with electronic circuit breakers for 24 and 0 VDC power distribution, as a substitute for rail-mount terminal blocks
- Pre-wiring and electrical isolation of current paths via pluggable *picoMAX*® Female Headers
- Optional coding pins (2092-1610) protect against any inadvertent mixing of female headers
- Optional gripping plates with sliding connector release (2092-1601/002-000 or 2092-1602/002-000) provide conductor strain relief
- 0 V may be supplied to the adjacent modules via comb-style jumper bar (745-682)

General Specifications

Nominal operating voltage	24 VDC
Total current 0 V (max.)	40 A
Total current per potential (max.)	10 A
Current per connection (max.)	10 A

Connection Data

Total number of potentials	4
Connection type 1	Power supply 0 V
Mating direction 1	45°
Connection technology 1	CAGE CLAMP®
Solid conductor 1	0.2 ... 16 mm ² / 24 ... 6 AWG
Fine-stranded conductor 1	0.2 ... 16 mm ² / 24 ... 6 AWG
Strip length 1	12 ... 13 mm / 0.47 ... 0.51 inch
Connection type 2	Power supply 24 V; connection points
Mating direction 2	Vertical
Connection technology 2	Push-in CAGE CLAMP®
Solid conductor 2	0.2 ... 2.5 mm ² / 24 ... 12 AWG
Fine-stranded conductor 2	0.2 ... 2.5 mm ² / 24 ... 12 AWG
Strip length 2	9 ... 10 mm / 0.35 ... 0.39 inch

Physical Data

Width	100 mm / 3.937 inch
Height from upper-edge of DIN-rail	49 mm / 1.929 inch
Depth	85 mm / 3.346 inch

Mechanical Data

Mounting type	DIN-35 rail
---------------	-------------

Material Data

Weight	140.4 g
--------	---------

Environmental Requirements

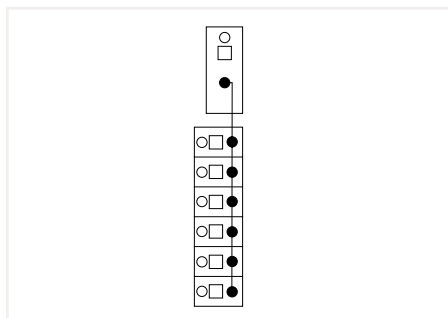
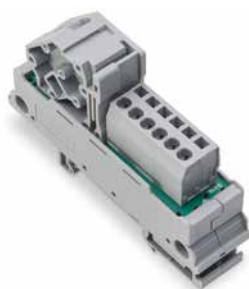
Surrounding air temperature (operation)	-25 ... +70 °C (no condensation)
Surrounding air temperature (storage)	-40 ... +85 °C

Accessories



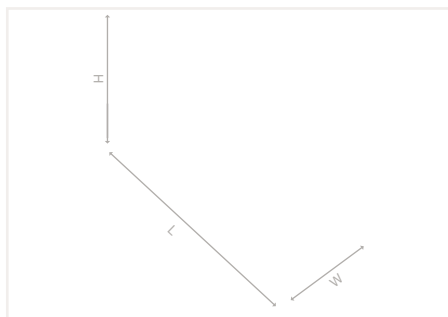
Comb-style jumper bar; 2-way		Coding pin carrier		Gripping plate with sliding connector release		
Item No.	Pack. Unit	Item No.	Pack. Unit	Description	Item No.	Pack. Unit
745-682	400 (50)	2092-1610	100 (25)	3- to 4-pole	2092-1601/002-000	100 (25)
				5- to 8-pole	2092-1602/002-000	100 (25)

Potential Distribution Module 830 Series



Potential Distribution Module; 1 potential;
with 1 input clamping point; Conductor cross section
up to 16 mm²/6 AWG; with 6 output clamping points;
Conductor cross section up to 2.5 mm²/12 AWG

Color	Item No.	Pack. Unit
gray	830-800/000-302	10
blue	830-800/000-302/000-006	10



General Specifications

Operating voltage	≤ 250 VAC/DC
Total current per potential (max.)	65 A
Current per connection (max.)	12 A

Connection Data

Total number of potentials	1
Connection type 1	Input
Connection technology 1	CAGE CLAMP®
Solid conductor 1	0.2 ... 16 mm ² / 24 ... 6 AWG
Fine-stranded conductor 1	0.2 ... 16 mm ² / 24 ... 6 AWG
Strip length 1	11 ... 12 mm / 0.43 ... 0.47 inch
Connection type 2	Output
Connection technology 2	CAGE CLAMP®
Solid conductor 2	0.08 ... 2.5 mm ² / 28 ... 12 AWG
Fine-stranded conductor 2	0.08 ... 2.5 mm ² / 28 ... 12 AWG
Strip length 2	8 ... 9 mm / 0.31 ... 0.35 inch

Physical Data

Width	21 mm / 0.81 inch
Height from upper-edge of DIN-rail	49 mm / 1.98 inch
Depth	85 mm / 3.35 inch

Mechanical Data

Mounting type	DIN-35 rail
---------------	-------------

Material Data

Weight	51 g
--------	------

Environmental Requirements

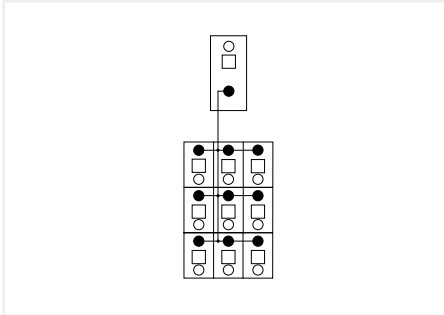
Surrounding air temperature (operation)	-20 ... +50 °C
Relative humidity	≤ 95 % (no condensation permissible)

Standards and Specifications

Standards/specifications	cULus 61010-2-201
--------------------------	-------------------

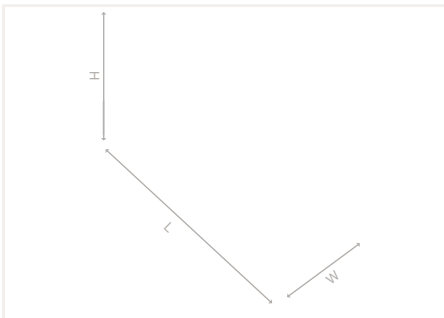
7

Potential Distribution Module 830 Series



Potential Distribution Module; 1 potential;
with 1 input clamping point; Conductor cross section
up to 16 mm²/6 AWG; with 9 output clamping points;
Conductor cross section up to 2.5 mm²/12 AWG

Color	Item No.	Pack. Unit
gray	830-800/000-303	10



General Specifications

Operating voltage	≤ 250 VAC/DC
Total current per potential (max.)	65 A
Current per connection (max.)	10 A

Connection Data

Total number of potentials	1
Connection type 1	Input
Connection technology 1	CAGE CLAMP®
Solid conductor 1	0.2 ... 16 mm ² / 24 ... 6 AWG
Fine-stranded conductor 1	0.2 ... 16 mm ² / 24 ... 6 AWG
Strip length 1	11 ... 12 mm / 0.43 ... 0.47 inch
Connection type 2	Output
Connection technology 2	CAGE CLAMP®
Solid conductor 2	0.08 ... 2.5 mm ² / 28 ... 12 AWG
Fine-stranded conductor 2	0.08 ... 2.5 mm ² / 28 ... 12 AWG
Strip length 2	5 ... 6 mm / 0.2 ... 0.24 inch

Physical Data

Width	21 mm / 0.81 inch
Height from upper-edge of DIN-rail	62 mm / 2.44 inch
Depth	85 mm / 3.35 inch

Mechanical Data

Mounting type	DIN-35 rail
---------------	-------------

Material Data

Weight	63 g
--------	------

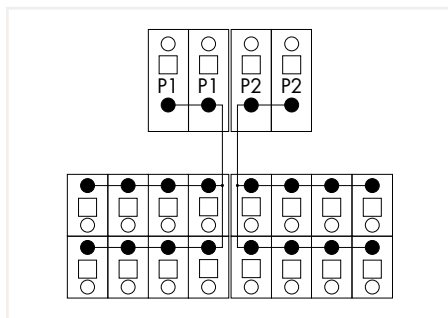
Environmental Requirements

Surrounding air temperature (operation)	-20 ... +50 °C
Relative humidity	≤ 95 % (no condensation permissible)

Standards and Specifications

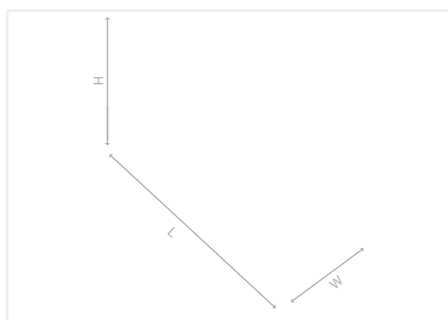
Standards/specifications	cULus 61010-2-201
--------------------------	-------------------

Potential Distribution Module 830 Series



Potential Distribution Module; 2 potentials;
with 2 input clamping points; Conductor cross section
up to 6 mm²/10 AWG; each with 8 output clamping
points; Conductor cross section up to 2.5 mm²/12 AWG

Color	Item No.	Pack. Unit
gray	830-800/000-305	6



General Specifications

Operating voltage	≤ 250 VAC/DC
Total current per potential (max.)	30 A
Current per connection (max.)	10 A

Connection Data

Total number of potentials	2
Connection type 1	Input
Connection technology 1	CAGE CLAMP®
Solid conductor 1	0.2 ... 6 mm ² / 24 ... 10 AWG
Fine-stranded conductor 1	0.2 ... 6 mm ² / 24 ... 10 AWG
Strip length 1	11 ... 12 mm / 0.43 ... 0.47 inch
Connection type 2	Output
Connection technology 2	CAGE CLAMP®
Solid conductor 2	0.08 ... 2.5 mm ² / 28 ... 12 AWG
Fine-stranded conductor 2	0.08 ... 2.5 mm ² / 28 ... 12 AWG
Strip length 2	5 ... 6 mm / 0.2 ... 0.24 inch

Physical Data

Width	49 mm / 1.92 inch
Height from upper-edge of DIN-rail	38 mm / 1.47 inch
Depth	55 mm / 2.17 inch

Mechanical Data

Mounting type	DIN-35 rail
---------------	-------------

Material Data

Weight	70 g
--------	------

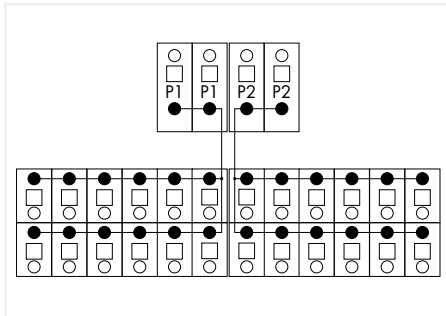
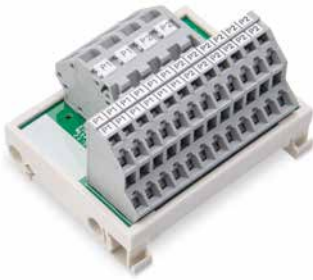
Environmental Requirements

Surrounding air temperature (operation)	-20 ... +50 °C
Relative humidity	≤ 95 % (no condensation permissible)

Standards and Specifications

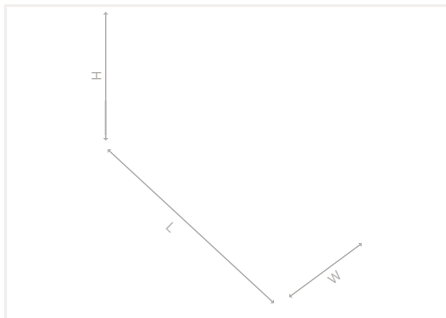
Standards/specifications	cULus 61010-2-201
--------------------------	-------------------

Potential Distribution Module 830 Series



Potential Distribution Module; 2 potentials;
with 2 input clamping points; Conductor cross section
up to 6 mm²/10 AWG; each with 12 output clamping
points; Conductor cross section up to 2.5 mm²/12 AWG

Color	Item No.	Pack. Unit
gray	830-800/000-306	6



General Specifications

Operating voltage	≤ 250 VAC/DC
Total current per potential (max.)	30 A
Current per connection (max.)	10 A

Connection Data

Total number of potentials	2
Connection type 1	Input
Connection technology 1	CAGE CLAMP®
Solid conductor 1	0.2 ... 6 mm ² / 24 ... 10 AWG
Fine-stranded conductor 1	0.2 ... 6 mm ² / 24 ... 10 AWG
Strip length 1	11 ... 12 mm / 0.43 ... 0.47 inch
Connection type 2	Output
Connection technology 2	CAGE CLAMP®
Solid conductor 2	0.08 ... 2.5 mm ² / 28 ... 12 AWG
Fine-stranded conductor 2	0.08 ... 2.5 mm ² / 28 ... 12 AWG
Strip length 2	5 ... 6 mm / 0.2 ... 0.24 inch

Physical Data

Width	69 mm / 2.72 inch
Height from upper-edge of DIN-rail	38 mm / 1.47 inch
Depth	55 mm / 2.17 inch

Mechanical Data

Mounting type	DIN-35 rail
---------------	-------------

Material Data

Weight	96.5 g
--------	--------

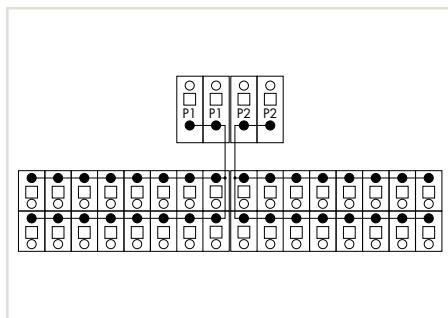
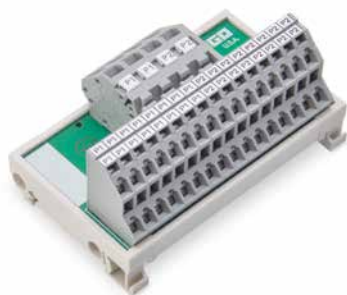
Environmental Requirements

Surrounding air temperature (operation)	-20 ... +50 °C
Relative humidity	≤ 95 % (no condensation permissible)

Standards and Specifications

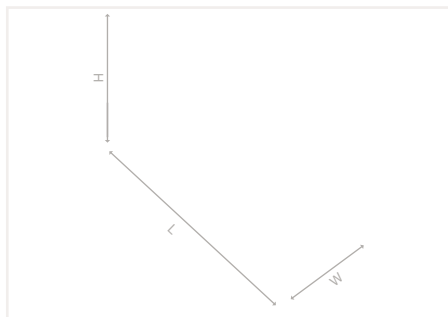
Standards/specifications	cULus 61010-2-201
--------------------------	-------------------

Potential Distribution Module 830 Series



Potential Distribution Module; 2 potentials;
with 2 input clamping points; Conductor cross section
up to 6 mm²/10 AWG; each with 16 output clamping
points; Conductor cross section up to 2.5 mm²/12 AWG

Color	Item No.	Pack. Unit
gray	830-800/000-307	6



General Specifications

Operating voltage	≤ 250 VAC/DC
Total current per potential (max.)	30 A
Current per connection (max.)	10 A

Connection Data

Total number of potentials	2
Connection type 1	Input
Connection technology 1	CAGE CLAMP®
Solid conductor 1	0.2 ... 6 mm ² / 24 ... 10 AWG
Fine-stranded conductor 1	0.2 ... 6 mm ² / 24 ... 10 AWG
Strip length 1	11 ... 12 mm / 0.43 ... 0.47 inch
Connection type 2	Output
Connection technology 2	CAGE CLAMP®
Solid conductor 2	0.08 ... 2.5 mm ² / 28 ... 12 AWG
Fine-stranded conductor 2	0.08 ... 2.5 mm ² / 28 ... 12 AWG
Strip length 2	5 ... 6 mm / 0.2 ... 0.24 inch

Physical Data

Width	89 mm / 3.51 inch
Height from upper-edge of DIN-rail	38 mm / 1.47 inch
Depth	55 mm / 2.17 inch

Mechanical Data

Mounting type	DIN-35 rail
---------------	-------------

Material Data

Weight	118.9 g
--------	---------

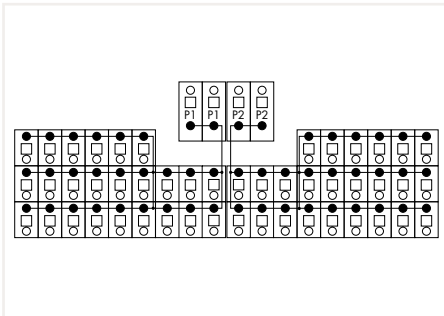
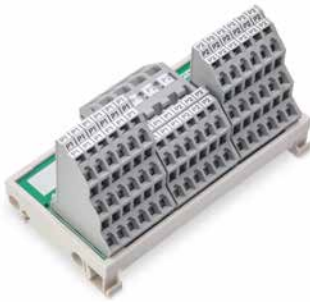
Environmental Requirements

Surrounding air temperature (operation)	-20 ... +50 °C
Relative humidity	≤ 95 % (no condensation permissible)

Standards and Specifications

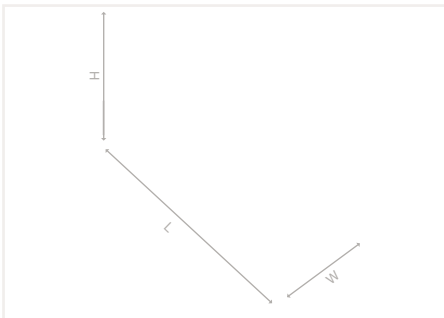
Standards/specifications	cULus 61010-2-201
--------------------------	-------------------

Potential Distribution Module 830 Series



Potential Distribution Module; 2 potentials;
with 2 input clamping points; Conductor cross section
up to 16 mm²/6 AWG; each with 24 output clamping
points; Conductor cross section up to 2.5 mm²/12 AWG

Color	Item No.	Pack. Unit
gray	830-800/000-308	6



General Specifications

Operating voltage	≤ 250 VAC/DC
Total current per potential (max.)	30 A
Current per connection (max.)	10 A

Connection Data

Total number of potentials	2
Connection type 1	Input
Connection technology 1	CAGE CLAMP®
Solid conductor 1	0.2 ... 6 mm ² / 24 ... 10 AWG
Fine-stranded conductor 1	0.2 ... 6 mm ² / 24 ... 10 AWG
Strip length 1	11 ... 12 mm / 0.43 ... 0.47 inch
Connection type 2	Output
Connection technology 2	CAGE CLAMP®
Solid conductor 2	0.08 ... 2.5 mm ² / 28 ... 12 AWG
Fine-stranded conductor 2	0.08 ... 2.5 mm ² / 28 ... 12 AWG
Strip length 2	5 ... 6 mm / 0.2 ... 0.24 inch

Physical Data

Width	102 mm / 4.02 inch
Height from upper-edge of DIN-rail	38 mm / 1.47 inch
Depth	55 mm / 2.17 inch

Mechanical Data

Mounting type	DIN-35 rail
---------------	-------------

Material Data

Weight	158.9 g
--------	---------

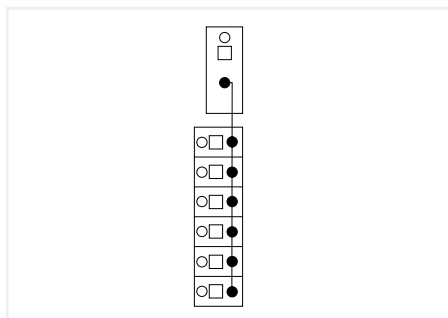
Environmental Requirements

Surrounding air temperature (operation)	-20 ... +50 °C
Relative humidity	≤ 95 % (no condensation permissible)

Standards and Specifications

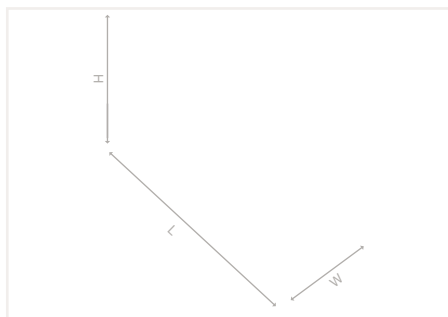
Standards/specifications	cULus 61010-2-201
--------------------------	-------------------

Potential Distribution Module 830 Series



Potential Distribution Module; 1 potential; with 1 input clamping point; Conductor cross section up to 16 mm²/6 AWG; Lever; with 6 output clamping points; Conductor cross section up to 2.5 mm²/12 AWG

Color	Item No.	Pack. Unit
gray	830-800/000-312	10
blue	830-800/000-312/000-006	10



General Specifications

Operating voltage	≤ 250 VAC/DC
Total current per potential (max.)	65 A
Current per connection (max.)	12 A

Connection Data

Total number of potentials	1
Connection type 1	Input
Connection technology 1	CAGE CLAMP®
Solid conductor 1	1.5 ... 16 mm ² / 16 ... 6 AWG
Fine-stranded conductor 1	1.5 ... 16 mm ² / 16 ... 6 AWG
Strip length 1	12 ... 13 mm / 0.47 ... 0.51 inch
Connection type 2	Output
Connection technology 2	CAGE CLAMP®
Solid conductor 2	0.08 ... 2.5 mm ² / 28 ... 12 AWG
Fine-stranded conductor 2	0.08 ... 2.5 mm ² / 28 ... 12 AWG
Strip length 2	8 ... 9 mm / 0.31 ... 0.35 inch

Physical Data

Width	21 mm / 0.81 inch
Height from upper-edge of DIN-rail	49 mm / 1.98 inch
Depth	85 mm / 3.35 inch

Mechanical Data

Mounting type	DIN-35 rail
---------------	-------------

Material Data

Weight	57.8 g
--------	--------

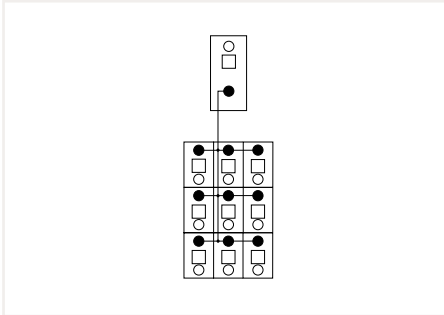
Environmental Requirements

Surrounding air temperature (operation)	-20 ... +50 °C
Relative humidity	≤ 95 % (no condensation permissible)

Standards and Specifications

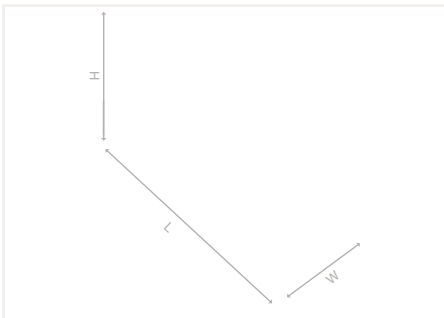
Standards/specifications	cULus 61010-2-201
--------------------------	-------------------

Potential Distribution Module 830 Series



Potential Distribution Module; 1 potential;
with 1 input clamping point; Conductor cross section
up to 16 mm²/6 AWG; Lever; with 9 output clamping
points; Conductor cross section up to 2.5 mm²/12 AWG

Color	Item No.	Pack. Unit
gray	830-800/000-313	10



General Specifications

Operating voltage	≤ 250 VAC/DC
Total current per potential (max.)	65 A
Current per connection (max.)	10 A

Connection Data

Total number of potentials	1
Connection type 1	Input
Connection technology 1	CAGE CLAMP®
Solid conductor 1	1.5 ... 16 mm ² / 16 ... 6 AWG
Fine-stranded conductor 1	1.5 ... 16 mm ² / 16 ... 6 AWG
Strip length 1	12 ... 13 mm / 0.47 ... 0.51 inch
Connection type 2	Output
Connection technology 2	CAGE CLAMP®
Solid conductor 2	0.08 ... 2.5 mm ² / 28 ... 12 AWG
Fine-stranded conductor 2	0.08 ... 2.5 mm ² / 28 ... 12 AWG
Strip length 2	5 ... 6 mm / 0.2 ... 0.24 inch

Physical Data

Width	21 mm / 0.81 inch
Height from upper-edge of DIN-rail	62 mm / 2.44 inch
Depth	85 mm / 3.35 inch

Mechanical Data

Mounting type	DIN-35 rail
---------------	-------------

Material Data

Weight	61.9 g
--------	--------

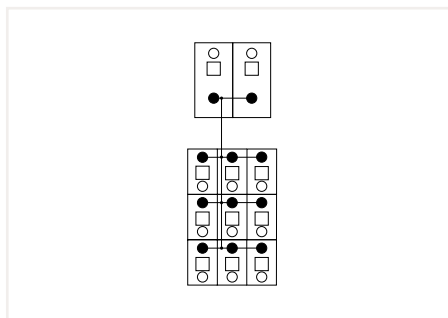
Environmental Requirements

Surrounding air temperature (operation)	-20 ... +50 °C
Relative humidity	≤ 95 % (no condensation permissible)

Standards and Specifications

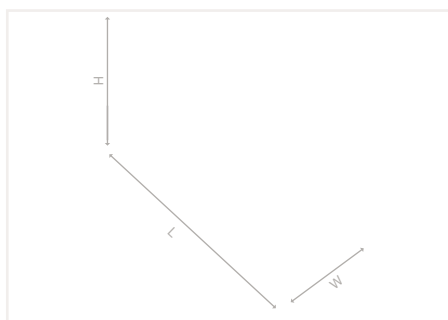
Standards/specifications	cULus 61010-2-201
--------------------------	-------------------

Potential Distribution Module 830 Series



Potential Distribution Module; 1 potential;
with 2 input clamping points; Conductor cross section
up to 6 mm²/10 AWG; Lever; with 9 output clamping
points; Conductor cross section up to 2.5 mm²/12 AWG

Color	Item No.	Pack. Unit
gray	830-800/000-314	10



General Specifications

Operating voltage	≤ 250 VAC/DC
Total current per potential (max.)	30 A
Current per connection (max.)	10 A

Connection Data

Total number of potentials	1
Connection type 1	Input
Connection technology 1	CAGE CLAMP®
Solid conductor 1	0.5 ... 6 mm ² / 20 ... 10 AWG
Fine-stranded conductor 1	0.5 ... 6 mm ² / 20 ... 10 AWG
Strip length 1	11 mm / 0.43 inch
Connection type 2	Output
Connection technology 2	CAGE CLAMP®
Solid conductor 2	0.08 ... 2.5 mm ² / 28 ... 12 AWG
Fine-stranded conductor 2	0.08 ... 2.5 mm ² / 28 ... 12 AWG
Strip length 2	5 ... 6 mm / 0.2 ... 0.24 inch

Physical Data

Width	21 mm / 0.81 inch
Height from upper-edge of DIN-rail	62 mm / 2.44 inch
Depth	85 mm / 3.35 inch

Mechanical Data

Mounting type	DIN-35 rail
---------------	-------------

Material Data

Weight	62.6 g
--------	--------

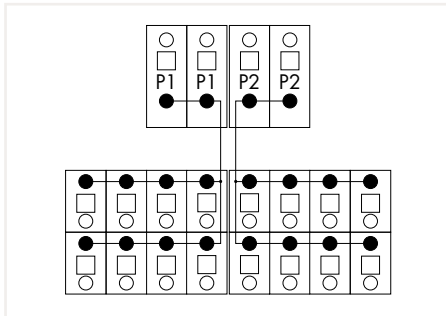
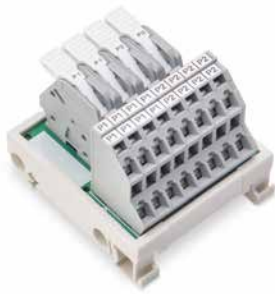
Environmental Requirements

Surrounding air temperature (operation)	-20 ... +50 °C
Relative humidity	≤ 95 % (no condensation permissible)

Standards and Specifications

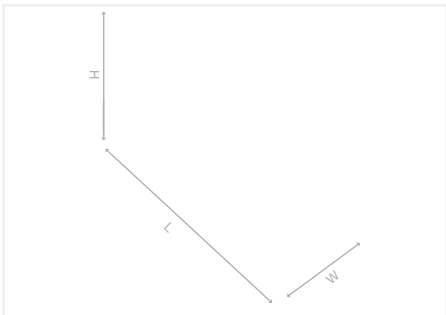
Standards/specifications	cULus 61010-2-201
--------------------------	-------------------

Potential Distribution Module 830 Series



Potential Distribution Module; 2 potentials;
with 2 input clamping points; Conductor cross section
up to 6 mm²/10 AWG; Lever; each with 8 output
clamping points; Conductor cross section up to
2.5 mm²/12 AWG

Color	Item No.	Pack. Unit
gray	830-800/000-315	10



General Specifications

Operating voltage	≤ 250 VAC/DC
Total current per potential (max.)	30 A
Current per connection (max.)	10 A

Connection Data

Total number of potentials	2
Connection type 1	Input
Connection technology 1	CAGE CLAMP®
Solid conductor 1	0.5 ... 6 mm ² / 20 ... 10 AWG
Fine-stranded conductor 1	0.5 ... 6 mm ² / 20 ... 10 AWG
Strip length 1	11 ... 12 mm / 0.43 ... 0.47 inch
Connection type 2	Output
Connection technology 2	CAGE CLAMP®
Solid conductor 2	0.08 ... 2.5 mm ² / 28 ... 12 AWG
Fine-stranded conductor 2	0.08 ... 2.5 mm ² / 28 ... 12 AWG
Strip length 2	5 ... 6 mm / 0.2 ... 0.24 inch

Physical Data

Width	49 mm / 1.92 inch
Height from upper-edge of DIN-rail	38 mm / 1.47 inch
Depth	55 mm / 2.17 inch

Mechanical Data

Mounting type	DIN-35 rail
---------------	-------------

Material Data

Weight	87.5 g
--------	--------

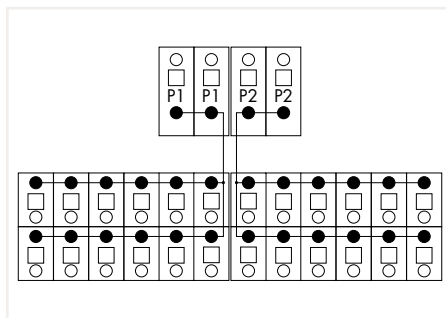
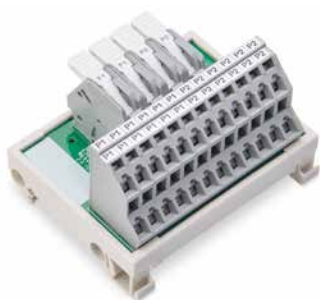
Environmental Requirements

Surrounding air temperature (operation)	-20 ... +50 °C
Relative humidity	≤ 95 % (no condensation permissible)

Standards and Specifications

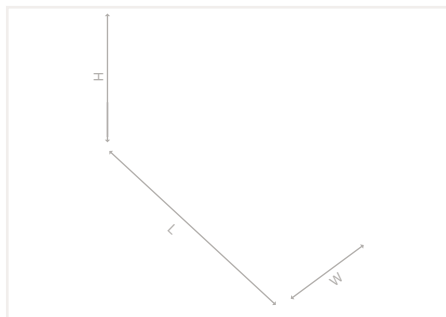
Standards/specifications	cULus 61010-2-201
--------------------------	-------------------

Potential Distribution Module 830 Series



Potential Distribution Module; 2 potentials; with 2 input clamping points; Conductor cross section up to 6 mm²/10 AWG; Lever; each with 12 output clamping points; Conductor cross section up to 2.5 mm²/12 AWG

Color	Item No.	Pack. Unit
gray	830-800/000-316	6



General Specifications

Operating voltage	≤ 250 VAC/DC
Total current per potential (max.)	30 A
Current per connection (max.)	10 A

Connection Data

Total number of potentials	2
Connection type 1	Input
Connection technology 1	CAGE CLAMP®
Solid conductor 1	0.5 ... 6 mm ² / 20 ... 10 AWG
Fine-stranded conductor 1	0.5 ... 6 mm ² / 20 ... 10 AWG
Strip length 1	11 ... 12 mm / 0.43 ... 0.47 inch
Connection type 2	Output
Connection technology 2	CAGE CLAMP®
Solid conductor 2	0.08 ... 2.5 mm ² / 28 ... 12 AWG
Fine-stranded conductor 2	0.08 ... 2.5 mm ² / 28 ... 12 AWG
Strip length 2	5 ... 6 mm / 0.2 ... 0.24 inch

Physical Data

Width	69 mm / 2.72 inch
Height from upper-edge of DIN-rail	38 mm / 1.47 inch
Depth	55 mm / 2.17 inch

Mechanical Data

Mounting type	DIN-35 rail
---------------	-------------

Material Data

Weight	101.6 g
--------	---------

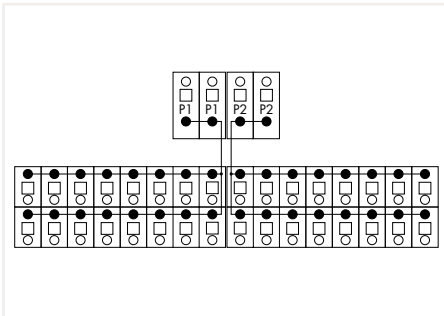
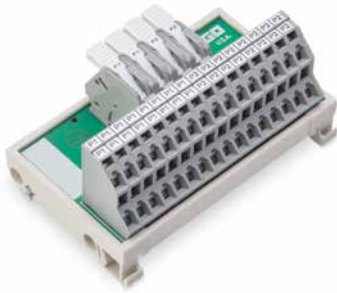
Environmental Requirements

Surrounding air temperature (operation)	-20 ... +50 °C
Relative humidity	≤ 95 % (no condensation permissible)

Standards and Specifications

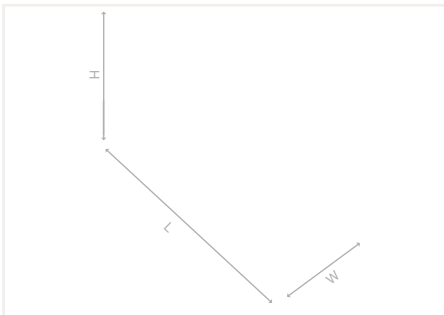
Standards/specifications	cULus 61010-2-201
--------------------------	-------------------

Potential Distribution Module 830 Series



Potential Distribution Module; 2 potentials;
with 2 input clamping points; Conductor cross section
up to 6 mm²/10 AWG; Lever; each with 16 output
clamping points; Conductor cross section up to
2.5 mm²/12 AWG

Color	Item No.	Pack. Unit
gray	830-800/000-317	6



General Specifications

Operating voltage	≤ 250 VAC/DC
Total current per potential (max.)	30 A
Current per connection (max.)	10 A

Connection Data

Total number of potentials	2
Connection type 1	Input
Connection technology 1	CAGE CLAMP®
Solid conductor 1	0.5 ... 6 mm ² / 20 ... 10 AWG
Fine-stranded conductor 1	0.5 ... 6 mm ² / 20 ... 10 AWG
Strip length 1	11 ... 12 mm / 0.43 ... 0.47 inch
Connection type 2	Output
Connection technology 2	CAGE CLAMP®
Solid conductor 2	0.08 ... 2.5 mm ² / 28 ... 12 AWG
Fine-stranded conductor 2	0.08 ... 2.5 mm ² / 28 ... 12 AWG
Strip length 2	5 ... 6 mm / 0.2 ... 0.24 inch

Physical Data

Width	89 mm / 3.51 inch
Height from upper-edge of DIN-rail	38 mm / 1.47 inch
Depth	55 mm / 2.17 inch

Mechanical Data

Mounting type	DIN-35 rail
---------------	-------------

Material Data

Weight	119.7 g
--------	---------

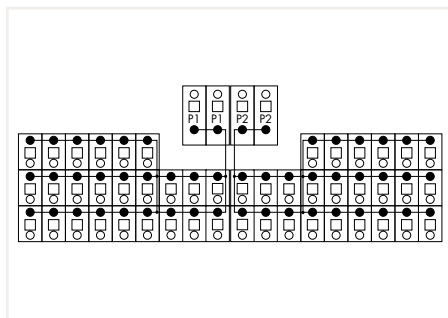
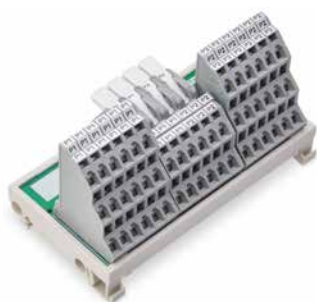
Environmental Requirements

Surrounding air temperature (operation)	-20 ... +50 °C
Relative humidity	≤ 95 % (no condensation permissible)

Standards and Specifications

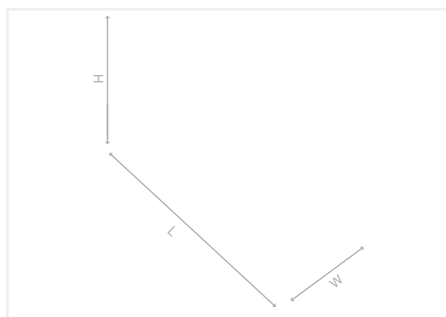
Standards/specifications	cULus 61010-2-201
--------------------------	-------------------

Potential Distribution Module 830 Series



Potential Distribution Module; 2 potentials;
with 2 input clamping points; Conductor cross section
up to 16 mm²/6 AWG; Lever; each with 24 output
clamping points; Conductor cross section up to
2.5 mm²/12 AWG

Color	Item No.	Pack. Unit
gray	830-800/000-318	3



General Specifications

Operating voltage	≤ 250 VAC/DC
Total current per potential (max.)	30 A
Current per connection (max.)	10 A

Connection Data

Total number of potentials	2
Connection type 1	Input
Connection technology 1	CAGE CLAMP®
Solid conductor 1	0.5 ... 6 mm ² / 20 ... 10 AWG
Fine-stranded conductor 1	0.5 ... 6 mm ² / 20 ... 10 AWG
Strip length 1	11 ... 12 mm / 0.43 ... 0.47 inch
Connection type 2	Output
Connection technology 2	CAGE CLAMP®
Solid conductor 2	0.08 ... 2.5 mm ² / 28 ... 12 AWG
Fine-stranded conductor 2	0.08 ... 2.5 mm ² / 28 ... 12 AWG
Strip length 2	5 ... 6 mm / 0.2 ... 0.24 inch

Physical Data

Width	102 mm / 4.02 inch
Height from upper-edge of DIN-rail	53 mm / 2.02 inch
Depth	55 mm / 2.17 inch

Mechanical Data

Mounting type	DIN-35 rail
---------------	-------------

Material Data

Weight	127.4 g
--------	---------

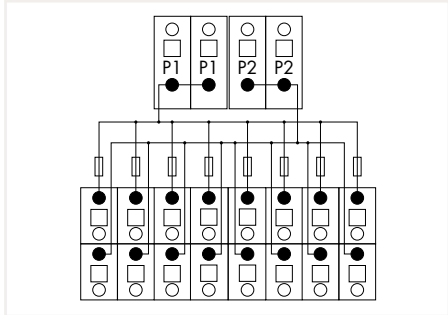
Environmental Requirements

Surrounding air temperature (operation)	-20 ... +50 °C
Relative humidity	≤ 95 % (no condensation permissible)

Standards and Specifications

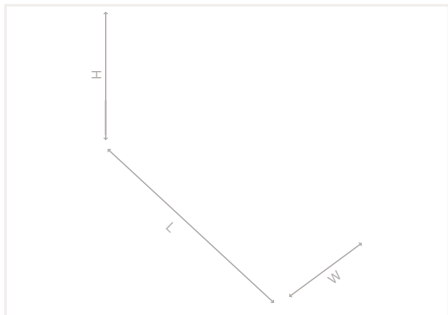
Standards/specifications	cULus 61010-2-201
--------------------------	-------------------

Potential Distribution Module 830 Series



Potential Distribution Module; 2 potentials;
with 2 input clamping points; Conductor cross section
up to 6 mm²/10 AWG; Lever; each with 8 output
clamping points; Conductor cross section up to
2.5 mm²/12 AWG; with fuse

Color	Item No.	Pack. Unit
gray	830-800/000-319	3



General Specifications

Operating voltage	≤ 250 VAC/DC
Total current per potential (max.)	30 A
Fuse capacity (max.)	6.3 A

Connection Data

Total number of potentials	2
Connection type 1	Input
Connection technology 1	CAGE CLAMP®
Solid conductor 1	0.5 ... 6 mm ² / 20 ... 10 AWG
Fine-stranded conductor 1	0.5 ... 6 mm ² / 20 ... 10 AWG
Strip length 1	11 ... 12 mm / 0.43 ... 0.47 inch
Connection type 2	Output
Connection technology 2	CAGE CLAMP®
Solid conductor 2	0.08 ... 2.5 mm ² / 28 ... 12 AWG
Fine-stranded conductor 2	0.08 ... 2.5 mm ² / 28 ... 12 AWG
Strip length 2	5 ... 6 mm / 0.2 ... 0.24 inch

Physical Data

Width	98 mm / 3.85 inch
Height from upper-edge of DIN-rail	48 mm / 1.89 inch
Depth	106 mm / 4.18 inch

Mechanical Data

Mounting type	DIN-35 rail
---------------	-------------

Material Data

Weight	181.5 g
--------	---------

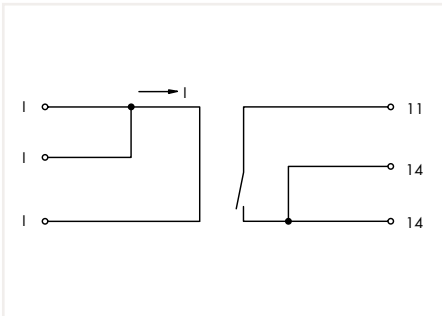
Environmental Requirements

Surrounding air temperature (operation)	-20 ... +50 °C
Relative humidity	≤ 95 % (no condensation permissible)

Standards and Specifications

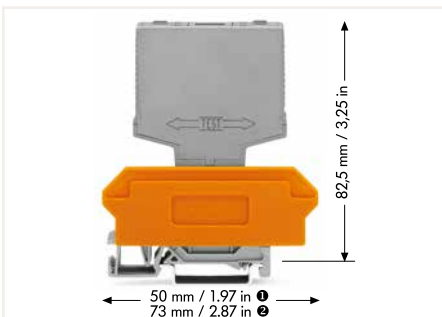
Standards/specifications	cULus 61010-2-201
--------------------------	-------------------

Current Flow Monitoring Module 286 Series



Current Flow Monitoring Module;
DC current flow monitoring module; 0.4 ... 3.5 A;
Relay with 1 make contact (1a)

Item No.	Pack. Unit
286-662	1



General Specifications

Operating voltage	12 ... 28 VDC
Measurement span (max.)	0.4 ... 3.5 ADC (-20 ... +40 °C)
	0.4 ... 3 ADC (-20 ... +60 °C)
	0.4 ... 2 ADC (-20 ... +70 °C)
Turn on/off point	0.35 A / 0.07 A
Voltage drop at input	24 ... 210 mV
Response time	0.5 ms
Number of make contacts/switch-on contacts	1
Switching voltage (max.)	200 VDC
Limiting continuous current	0.5 A
Switching power (resistive) max.	10 W (DC)

Safety and Protection

Dielectric strength input/output (AC, 1 min)	1.5 kV _{rms}
--	-----------------------

Mechanical Data

Mounting type	Pluggable module for receptacle terminal blocks
---------------	---

Material Data

Weight	22.7 g
--------	--------

Environmental Requirements

Surrounding air temperature (operation)	-25 ... +40 °C
Relative humidity	5 ... 95 % (no condensation permissible)
Operating altitude (max.)	2000 m

Accessories



Terminal block for pluggable modules; 6-pole; with 2-conductor terminal blocks; with orange separator; for 35 x 15 mm and 35 x 7.5 mm DIN-rails; 2.5 mm²

Width	Item No.	Pack. Unit
17 mm	280-619	30



Terminal block for pluggable modules; 12-pole; with 4-conductor terminal blocks; with orange separator; for 35 x 15 mm and 35 x 7.5 mm DIN-rails; 2.5 mm²

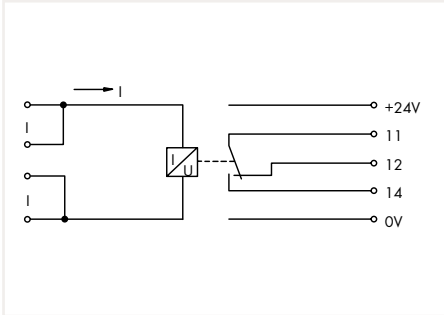
Width	Item No.	Pack. Unit
17 mm	280-609	30



Terminal block for pluggable modules; 12-pole; with 4-conductor terminal blocks; with marker carrier; with orange separator; for 35 x 15 mm and 35 x 7.5 mm DIN-rails; 2.5 mm²

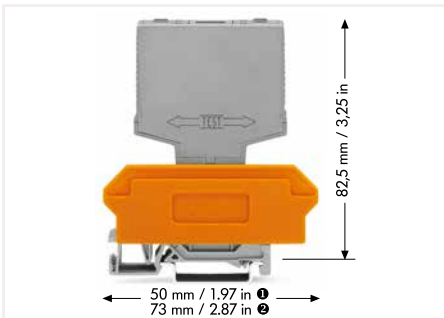
Width	Item No.	Pack. Unit
20 mm	280-763	25

Current Flow Monitoring Module 286 Series



Current Flow Monitoring Module;
AC current flow monitoring module; 1 ... 10 AAC;
Relay with 1 changeover contact (1u); adjustable

	Item No.	Pack. Unit
	286-665	1



General Specifications

Nominal operating voltage	24 VDC
Power consumption at nominal supply voltage	28 mA
Voltage drop at input	23 ... 850 mV
Measurement span (max.)	1 ... 10 A (AC)
Switching threshold (adjustable) min.	1 A
Response time	200 ms
Number of changeover/switchover contacts	1
Number of break contacts/switch-off contacts	1
Limiting continuous current	5 A
Switching voltage (max.)	250 VAC
Switching power (resistive) max.	1250 VA (AC)
Status indicator	Red LED; Energized relay (current < switching threshold)

Safety and Protection

Pollution degree	2
Rated voltage	250 V
Rated surge voltage	4 kV
Dielectric strength input/output (AC, 1 min)	1.5 kV

Mechanical Data

Mounting type	Pluggable module for receptacle terminal blocks
---------------	---

Material Data

Weight	58 g
--------	------

Environmental Requirements

Surrounding air temperature (operation)	-25 ... +40 °C
Surrounding air temperature (storage)	-40 ... +70 °C
Relative humidity	5 ... 85 % (no condensation permissible)
Operating altitude (max.)	2000 m

Accessories



Terminal block for pluggable modules; 10-pole; with 2-conductor terminal blocks; with orange separator; for 35 x 15 mm and 35 x 7.5 mm DIN-rails; 2.5 mm²

Width	Item No.	Pack. Unit
27 mm	280-639	15



Terminal block for pluggable modules; 20-pole; with 4-conductor terminal blocks; with orange separator; for 35 x 15 mm and 35 x 7.5 mm DIN-rails; 2.5 mm²

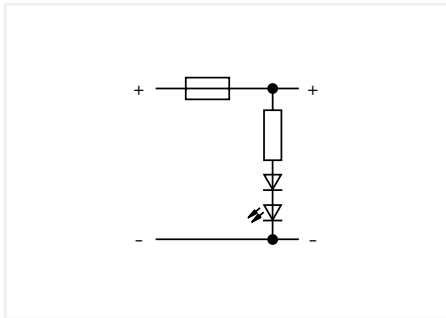
Width	Item No.	Pack. Unit
27 mm	280-629	15



Terminal block for pluggable modules; 20-pole; with 4-conductor terminal blocks; with marker carrier; with orange separator; for 35 x 15 mm and 35 x 7.5 mm DIN-rails; 2.5 mm²

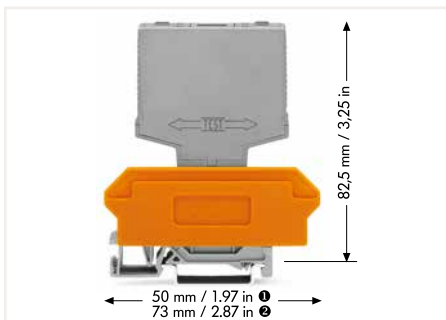
Width	Item No.	Pack. Unit
30 mm	280-765	15

Component Module with a Fuse 286 Series



Component Module with a Fuse;
for 5 x 20 mm microfuse; Nominal voltage: 24 VAC/DC

Item No.	Pack. Unit
286-890	1



General Specifications

Nominal operating voltage	24 VAC/DC
Leakage current in case of a blown fuse	5 mA
Fuse capacity (max.)	6.3 A

Safety and Protection

Pollution degree	3
Rated voltage	250 V
Rated surge voltage	4 kV

Physical Data

Width	10 mm / 0.394 inch
-------	--------------------

Mechanical Data

Mounting type	Pluggable module for receptacle terminal blocks
---------------	---

Material Data

Weight	14.6 g
--------	--------

Environmental Requirements

Surrounding air temperature (operation)	-25 ... +40 °C
Relative humidity	5 ... 95 % (no condensation permissible)
Operating altitude (max.)	2000 m

7

Accessories



Terminal block for pluggable modules; 4-pole; with 2-conductor terminal blocks; with orange separator; for 35 x 15 mm and 35 x 7.5 mm DIN-rails; 2.5 mm²

Width	Item No.	Pack. Unit
12 mm	280-618	40



Terminal block for pluggable modules; 8-pole; with 4-conductor terminal blocks; with orange separator; for 35 x 15 mm and 35 x 7.5 mm DIN-rails; 2.5 mm²

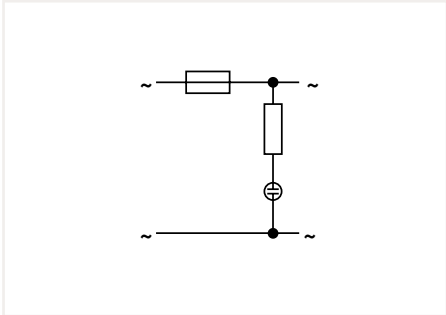
Width	Item No.	Pack. Unit
12 mm	280-608	40



Terminal block for pluggable modules; 8-pole; with 4-conductor terminal blocks; with marker carrier; with orange separator; for 35 x 15 mm and 35 x 7.5 mm DIN-rails; 2.5 mm²

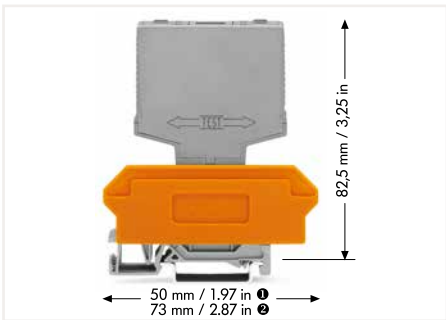
Width	Item No.	Pack. Unit
15 mm	280-762	30

Component Module with a Fuse 286 Series



Component Module with a Fuse;
for 5 x 20 mm microfuse; Nominal voltage: 230 VAC/DC

	Item No.	Pack. Unit
	286-891	1



General Specifications

Nominal operating voltage	230 VAC/DC
Leakage current in case of a blown fuse	0.5 mA
Fuse capacity (max.)	6.3 A

Safety and Protection

Pollution degree	3
Rated voltage	250 V
Rated surge voltage	4 kV

Physical Data

Width	10 mm / 0.394 inch
-------	--------------------

Mechanical Data

Mounting type	Pluggable module for receptacle terminal blocks
---------------	---

Material Data

Weight	14.1 g
--------	--------

Environmental Requirements

Surrounding air temperature (operation)	-25 ... +40 °C
Relative humidity	5 ... 95 % (no condensation permissible)
Operating altitude (max.)	2000 m

7

Accessories



Terminal block for pluggable modules; 4-pole; with 2-conductor terminal blocks; with orange separator; for 35 x 15 mm and 35 x 7.5 mm DIN-rails; 2.5 mm²

Width	Item No.	Pack. Unit
12 mm	280-618	40



Terminal block for pluggable modules; 8-pole; with 4-conductor terminal blocks; with orange separator; for 35 x 15 mm and 35 x 7.5 mm DIN-rails; 2.5 mm²

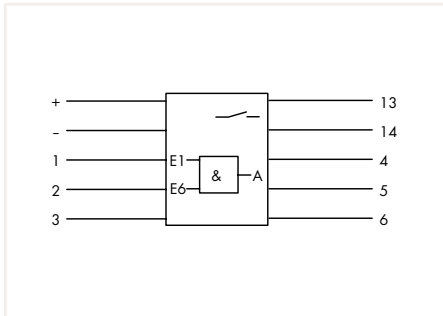
Width	Item No.	Pack. Unit
12 mm	280-608	40



Terminal block for pluggable modules; 8-pole; with 4-conductor terminal blocks; with marker carrier; with orange separator; for 35 x 15 mm and 35 x 7.5 mm DIN-rails; 2.5 mm²

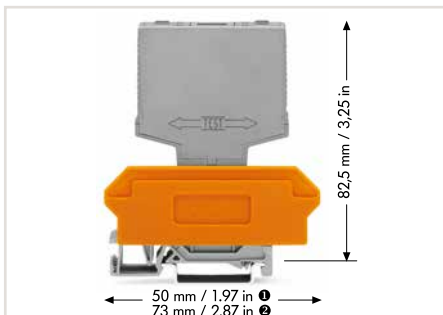
Width	Item No.	Pack. Unit
15 mm	280-762	30

AND Gate Module 286 Series



AND Gate Module; with 6 inputs

Item No.	Pack. Unit
286-826	1



General Specifications

Nominal operating voltage	24 VDC
Operating voltage	24 ... 27.5 VDC
Limiting continuous current	3 A
Power consumption at nominal supply voltage	34.6 mA
Number of make contacts/switch-on contacts	1
Switching voltage (max.)	250 VAC; 120 VDC
Switching power (resistive) max.	750 VA AC / 120 W

Safety and Protection

Pollution degree	2
Rated voltage	250 V
Rated surge voltage	4 kV
Dielectric strength input/output (AC, 1 min)	2.5 kV

Physical Data

Width	25 mm / 0.984 inch
-------	--------------------

Mechanical Data

Mounting type	Pluggable module for receptacle terminal blocks
---------------	---

Material Data

Weight	34 g
--------	------

Environmental Requirements

Surrounding air temperature (operation)	-25 ... +40 °C
Relative humidity	5 ... 95 % (no condensation permissible)
Operating altitude (max.)	2000 m

Accessories



Terminal block for pluggable modules; 10-pole; with 2-conductor terminal blocks; with orange separator; for 35 x 15 mm and 35 x 7.5 mm DIN-rails; 2.5 mm²

Width	Item No.	Pack. Unit
27 mm	280-639	15



Terminal block for pluggable modules; 20-pole; with 4-conductor terminal blocks; with orange separator; for 35 x 15 mm and 35 x 7.5 mm DIN-rails; 2.5 mm²

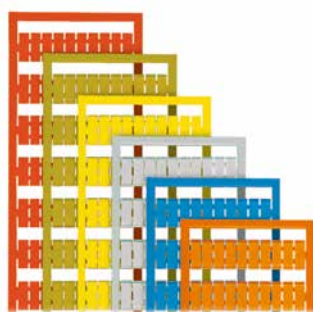
Width	Item No.	Pack. Unit
27 mm	280-629	15



Terminal block for pluggable modules; 20-pole; with 4-conductor terminal blocks; with marker carrier; with orange separator; for 35 x 15 mm and 35 x 7.5 mm DIN-rails; 2.5 mm²

Width	Item No.	Pack. Unit
30 mm	280-765	15

Accessories



WSB marker card; WSB marker width: 4 mm; 10 strips with 10 markers/card		
Marking	Item No.	Pack. Unit
K	209-782	50
1 ... 10 (10 x)	209-702	5
A1; A2; 13; 14	209-952	50
A1; A2; 11; 12	209-953	50
11; 12; 14; A1; A2; A2; 11; 12; 14	209-994	50
12; A1; A2; 24; 11; 14; 21; 22	209-995	50
A1; A1; A2; A2; 11; 12; 13; 14; 23; 24	209-693	50
12; A1; A2; 23; 24; 11; 13; 14; 21; 22	209-691	50
12; A1; A2; 23; 24; 11; 13; 14; 33; 34	209-690	50
14; A1; A2; 33; 34; 13; 23; 24; 43; 44	209-692	50
A1; A2; 32; 31; 34; 42; 41; 12; 11; 14; 22; 21; 24; 44	249-656	50
L+; 1; L-; L-; 11; 12; 13; 14	209-954	50
A1; A2; A3; 11; 12; 14	249-607	50
A1; A1; A2; A2; 12; 11; 11; 14	209-996	50
A1; A1; St; A2; A2; 12; 11; 11; 14	209-601	50
U1; U2; U3; U4; OV; 12; 11; 11; 14; 14	209-951	50
U	209-789	50
A1; A2; A2; 1; 3; 2	209-685	50
A1; A2; A2; 1; 2; 2	209-686	50
A1+; A1+; A2-; A2-; 1; RL1; RL2; 2	209-955	50
A1+; A1+; A2-; A2-; 1+; 1+; A; 2-	249-651	50
+/-	209-552	50
1; 2; 3; OV; +UB; OUT; ERR.; OV	249-622	50
1; 2; OV; +UB; OUT; ERR.; OV	249-623	50
Lin; Lin; Lout; Lout; 24V; UA; UA; OV	209-957	50
Lin; Lin; Lout; 11; 14; 14; Lin; Lin; Lout	249-654	50
lin; lin; lout; lout; 24V; 11; 12; 14; OV	209-997	50
S	209-682	50
V	209-784	50
F1 ... F10	209-787	50
D	209-783	50
+; -; 1; 2; 3; 13; 14; 4; 5; 6	249-608	50
L; N; Ackn.; Failure; Test; N; 14; 24	249-606	50
A1; A2; Ackn.; Failure; 12; 11; 11; 14	249-653	50

WSB marker card; plain; WSB marker width: 4 mm; 10 strips with 10 markers/card		
Color	Item No.	Pack. Unit
○ white	209-701	100
● yellow	209-701/000-002	100
● red	209-701/000-005	100
● blue	209-701/000-006	100
○ gray	209-701/000-007	100
● orange	209-701/000-012	100
● light green	209-701/000-017	100
● green	209-701/000-023	100
● violet	209-701/000-024	100