








WAGO Pluggable Connection System *WINSTA*® MIDI

WAGO Pluggable Connection System WINSTA® MIDI ▶ 770, 771 Series

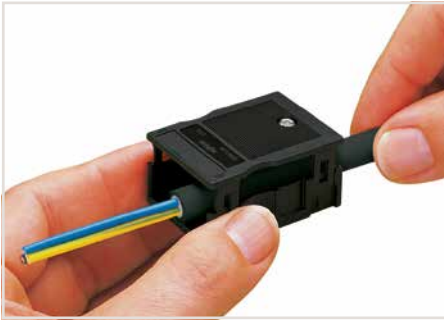
4 mm² / 25 A

- Note:**
- Installation connectors are designed for connection and disconnection while not under load.
 - There is no hazard-inducing interchangeability with systems based on IEC 60309, IEC 60320, IEC 60906 and with national connector and socket systems.
 - Compliance with the standards (IEC 61535) does not guarantee hazard-preventing, non-interchangeability with installation connector systems from various manufacturers.
 - Installation connector systems are not a substitute for residential connector/socket systems.
 - B-Coded components from the WINSTA® MIDI series are designed for specialty applications (e.g., measurement, control and regulation technology) and certified per DIN EN 61984.

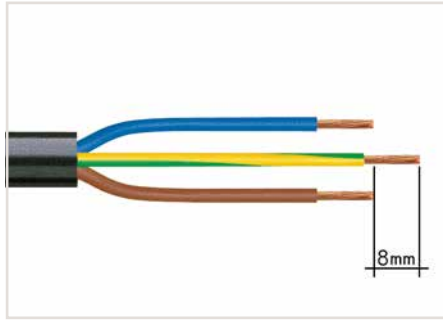
		Page
	Linect® T-Connectors; 770 Series	
	2-pole	131
	3-pole	169
	4-pole	213
	5-pole	245
	Pluggable Connectors; 770 Series	
	2-pole	126
	3-pole	150
	4-pole	198
	5-pole	226
	Snap-In Device Connectors; 770 Series	
	3-pole	156
	4-pole	202
	Pluggable PCB Connectors; 770 Series	
	3-pole	162
	4-pole	206
	Distribution Connectors; 770 Series	
	2-pole	130
	3-pole	168
	Cable Assemblies; 771 Series	
	2-pole	136
	3-pole	176
	4-pole	218
	Cable Assemblies; IP 2XD; 771 Series	
	3-pole	181

WINSTA® MIDI ▶ 770, 771 Series Installation

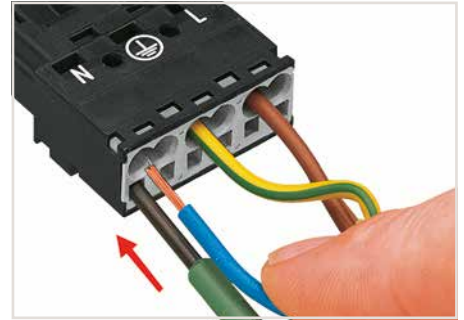
2



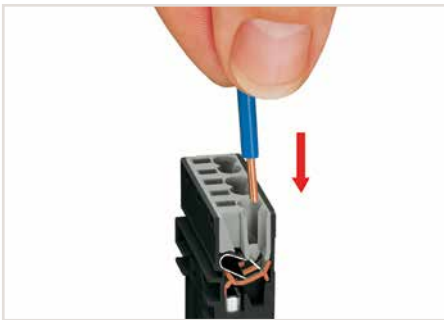
We recommend pulling the pre-latched strain relief housing over the cable prior to termination. However, the strain relief can be mounted at a later time as well.



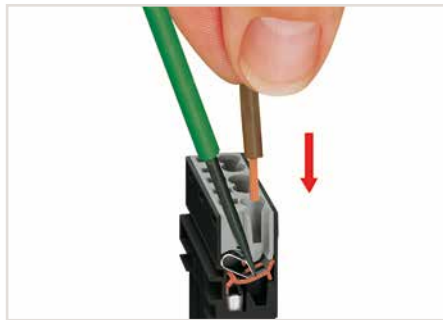
1. Strip length, outer insulation = x mm ❶
2. Strip length = 9 mm
3. Extended ground conductor = 8 mm



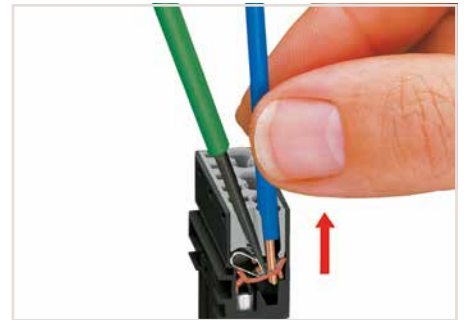
To terminate fine-stranded conductors, open the clamping unit via screwdriver (2.5 mm blade width) and insert a stripped conductor until it hits backstop.



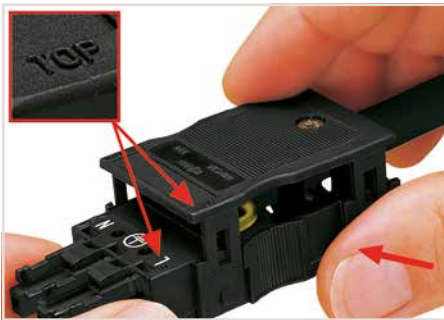
Insert the stripped solid conductor until it hits backstop.



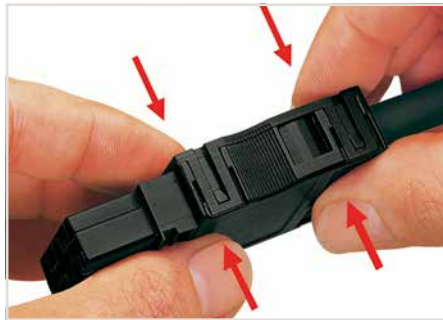
To terminate fine-stranded conductors, open the clamping unit via screwdriver (2.5 mm blade width) and insert a stripped conductor until it hits backstop.



To remove the conductor, actuate the clamp via screwdriver (2.5 mm blade width) and pull out the conductor.



Latch the strain relief housing on the plug/socket. Note the "TOP" inscription.



Prepare strain relief housing by snapping together upper and bottom part.



Tighten strain relief screw via screwdriver (2.5 mm blade width).



Simply cut off the coding pin from the socket.

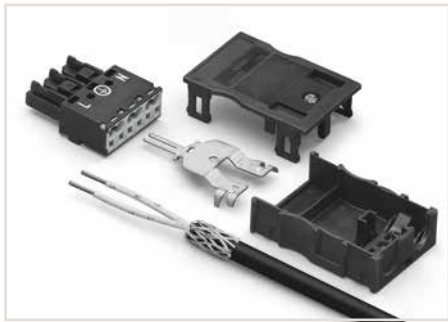


Insert coding pin into plug (break first) until it engages.



Marking strain relief housing via WSB Quick Marking System.

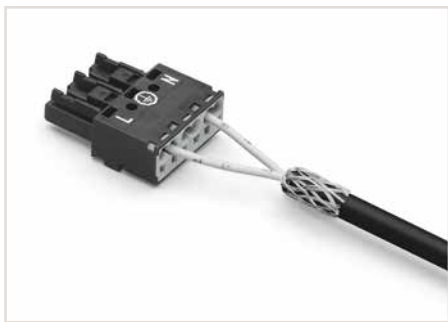
❶ Strip length, outer insulation: 2-pole = 35 mm, 3- to 5-pole = 55 mm



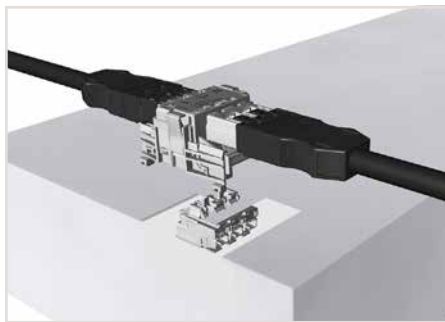
Connector with shield termination



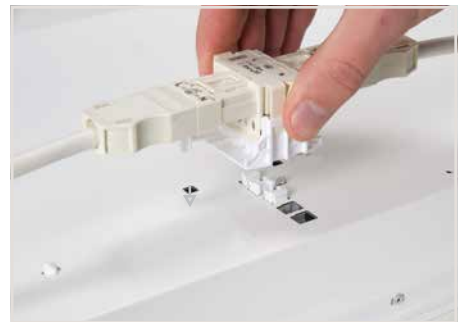
the light connection system



Apply the shield to the rubber cable.
Strip length, outer insulation = 55 mm
Shield length = 10 mm



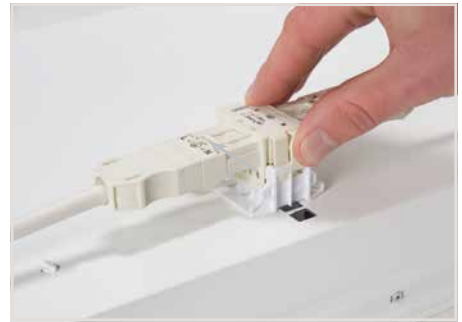
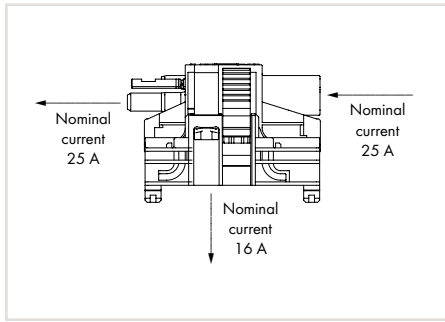
Connecting a T-connector to a 294 Series lighting connector.



Align the T-connector with the square cutouts.



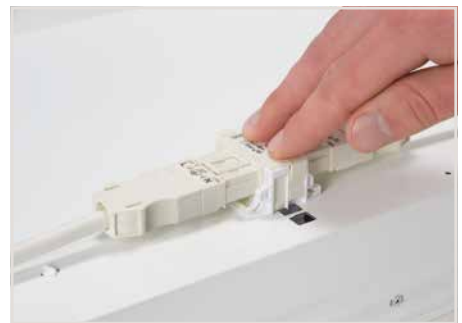
Push the shield connecting plate into the connector until fully inserted.



Move the T-connector toward the square cutouts until it is locked in position.



First insert the wired connector into strain relief housing, then snap cover and tighten screw.



Push down until fully engaged – done!

WINSTA® MIDI ▶ Coding: B ▶ 770, 771 Series Description and Installation

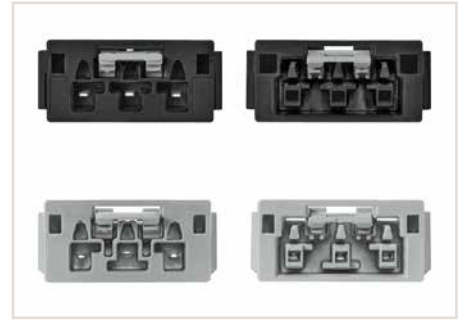
2



Gray, B-coded connector with "3 2 1" marking, e.g., control signal (A circuit)



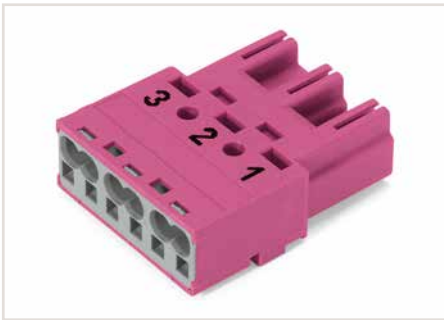
Easy circuit identification via different marking and colors



B-coded connectors (shown in gray) not only differ in color, but also in their design, making them incompatible with other coded connectors.



Light green, B-coded connector with "3 2 1" marking, e.g., DC power supply (24 V circuit)



Pink, B-coded connector with "3 2 1" marking, e.g., control signal (B circuit)

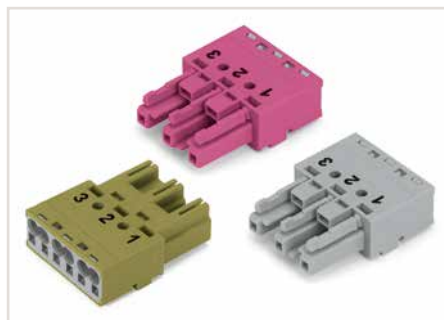


B-coded connectors with different colors can be plugged together.

Important note:

Different colors and/or pole markings are used for circuit identification.

Only connectors of the same color and same pole marking must be plugged together.



Installation notes for conductor connection, shield termination, operating tools and mounting aids for WINSTA® MIDI special pluggable connectors, see page 122.

Pluggable Connector ▶ WINSTA® MIDI ▶ 770 Series

Pole No.: 2 ▶ Number of connection points: 2 ▶ Protection type: IP20



- Protected against mismatching and maintenance-free
- Push-in CAGE CLAMP® spring pressure connection technology allows solid conductors to be simply pushed into a unit
- Two-wire connection per pole for loops or bridges

Electrical Data			
Coding	A;B;L		
Ratings per	IEC/EN 60664-1		
Overvoltage category	III	III	II
Pollution degree	3	2	2
Rated voltage	250 V	-	-
Rated impulse voltage	4 kV	-	-
Rated current	25 A	-	-
Approbations per	UL 1977		
Rated voltage	600 V		
Rated current	23 A		

Connection Data	
Connection technology	Push-in CAGE CLAMP®
Strip length	9 mm / 0.35 inch
Nominal cross-section	4 mm ²
Solid conductor	0.5 ... 4 mm ² / 20 ... 12 AWG
Solid conductor; push-in termination	1.5 ... 4 mm ² / 16 ... 12 AWG
Stranded conductor	0.5 ... 2.5 mm ² / 20 ... 14 AWG
Fine-stranded conductor	0.5 ... 4 mm ² / 20 ... 12 AWG
Fine-stranded conductor; with insulated ferrule	0.25 ... 1.5 mm ² / 20 ... 16 AWG
Fine-stranded conductor; with uninsulated ferrule	0.25 ... 2.5 mm ² / 20 ... 14 AWG
Fine-stranded conductor; with ferrule; push-in termination	1.5 mm ² / 16 AWG

Material Data	
Insulation material	Polyamide (PA66)
Clamping spring material	Chrome nickel spring steel (CrNi)
Contact material	Copper or copper alloy (surface-treated)

Mechanical Data	
Number of mating cycles	200, without resistive load
Mating force of a plug-in connection	approx. 20 ... 70 N (depending on pole number)
Unmating force of a plug-in connection	Unlocked: approx. 20 ... 70 N (depending on pole number)
Retention force of a plug-in connection	Locked: > 80 N
Protection type	IP20
Note on protection type	When mated and secured with a strain relief housing: IP2xC (These compact connectors are not designed for use in open, easily accessible areas!)

Environmental Requirements	
Processing temperature	-5 ... +40 °C
Continuous operating temperature	-35 ... +85 °C
Note on continuous operating temperature	Insulating parts for temperatures ≤ 105 °C

All WINSTA® components are 100% protected against mismatching when:

- plugging different numbers of poles
- plugging while rotated 180
- plugging while laterally staggered
- plugging one pole

General accessories [Page 390](#)

Tool [Page 400](#)

See technical section for further information

For approvals and corresponding ratings, visit www.wago.com

Pluggable Connector ▶ WINSTA® MIDI ▶ 770 Series

Pole No.: 2 ▶ Number of connection points: 2 ▶ Protection type: IP20

Strain relief housing ▶ Female connector/socket ▶ Strip length (outer insulation): 35 mm ▶ Connectable sheathed cable diameter : 7 ... 10.5 mm

Strain relief housing ▶ Male connector/plug ▶ Strip length (outer insulation): 35 mm ▶ Connectable sheathed cable diameter : 7 ... 10.5 mm



770-102/041-000



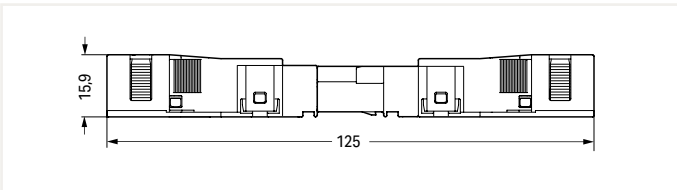
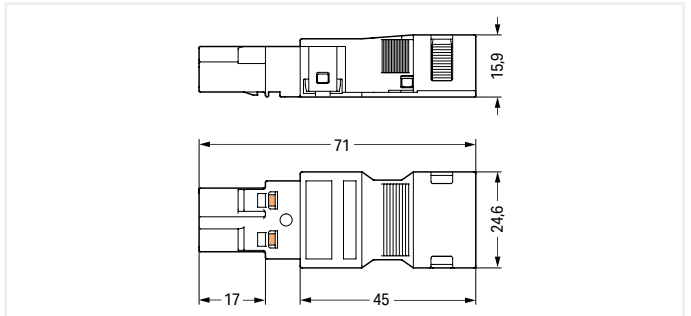
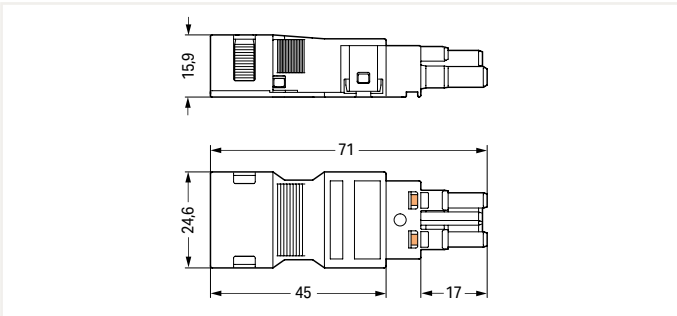
770-112/041-000

General mains applications

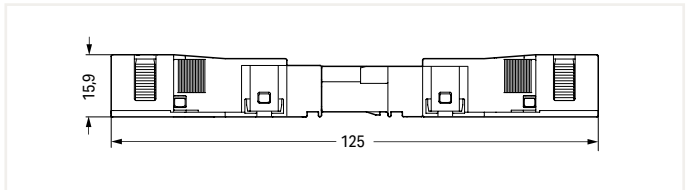
Color	Coding	Marking	Item No.	PU
● black	A	L N	770-102/041-000	25
○ white	A	L N	770-122/041-000	25

General mains applications

Color	Coding	Marking	Item No.	PU
● black	A	L N	770-112/041-000	25
○ white	A	L N	770-132/041-000	25



Overall length when mated



Overall length when mated

Item-Specific Accessories



Lockout cap; for socket; separable; Pole No.: 12

Color	Item No.	PU
● black	770-201	100
○ white	770-221	100

Item-Specific Accessories



Lockout cap; for plugs; separable; Pole No.: 5

Color	Item No.	PU
● yellow	770-360	100

Accessories; for all products on this page



Locking lever; for flying leads; manually operated

Color	Item No.	PU (SPU)
● black	770-101	100 (25)
○ white	770-121	100 (25)



Locking lever; for flying leads; tool operated

Color	Item No.	PU (SPU)
● black	770-111	100 (25)
○ white	770-131	100 (25)



Operating tool; for WAGO WINSTA® MIDI Connectors; Pole No.: 2

Color	Item No.	PU (SPU)
● green	770-382	50 (1)

PU = Packaging Unit; SPU = Subpackaging Unit; Dimensions in mm

Pluggable Connector ▶ WINSTA® MIDI ▶ 770 Series

Pole No.: 2 ▶ Number of connection points: 2 ▶ Protection type: IP20

Female connector/socket



770-202

General mains applications

Color	Coding	Marking	Item No.	PU
● black	A	L N	770-202	100
○ white	A	L N	770-222	100

Emergency power supply

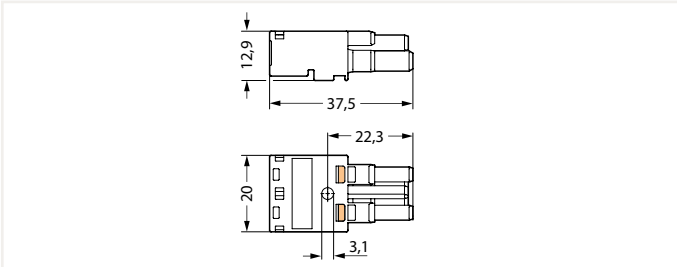
Color	Coding	Marking	Item No.	PU
● dark gray	L	L' N'	770-1162	100

Measurement and regulation technology

Color	Coding	Marking	Item No.	PU
● gray	B	1 2	770-242	100
● gray	B	L N	770-242/060-000	100
● light green	B	1 2	770-262	100
● pink	B	1 2	770-282	100
● pink	B	I+ I-	770-282/080-000	100
● pink	B	+ -	770-282/082-000	100

DALI, Lighting Management

Color	Coding	Marking	Item No.	PU
● blue	I	DA+ DA-	770-1102	100



Accessories; for all products on this page



Locking lever; for flying leads; manually operated

Color	Item No.	PU (SPU)
● black	770-101	100 (25)
○ white	770-121	100 (25)



Locking lever; for flying leads; tool operated

Color	Item No.	PU (SPU)
● black	770-111	100 (25)
○ white	770-131	100 (25)



Lockout cap; for socket; separable; Pole No.: 12

Color	Item No.	PU
● black	770-201	100
○ white	770-221	100



Operating tool; for WAGO WINSTA® MIDI Connectors; Pole No.: 2

Color	Item No.	PU (SPU)
● green	770-382	50 (1)



Strain relief housing; Connectable sheathed cable diameter: 7 ... 10.5 mm; Strip length (outer insulation): 35 mm

Color	Item No.	PU
● black	770-502/041-000	50
○ white	770-512/041-000	50



Strain relief housing; Connectable sheathed cable diameter: 5 ... 9 mm; Strip length (outer insulation): 35 mm

Color	Item No.	PU
● black	770-502/042-000	50
○ white	770-512/042-000	50

PU = Packaging Unit; SPU = Subpackaging Unit; Dimensions in mm

Pluggable Connector ▶ WINSTA® MIDI ▶ 770 Series

Pole No.: 2 ▶ Number of connection points: 2 ▶ Protection type: IP20

Male connector/plug



770-212

2

General mains applications

Color	Coding	Marking	Item No.	PU
● black	A	L N	770-212	100
○ white	A	L N	770-232	100

Emergency power supply

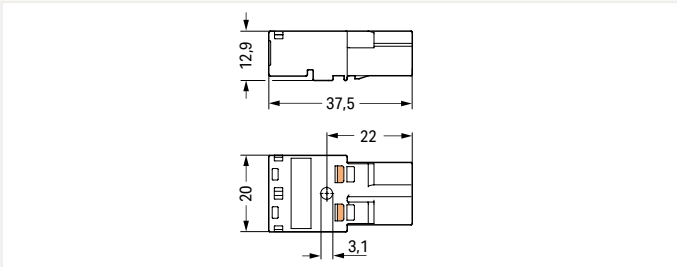
Color	Coding	Marking	Item No.	PU
● dark gray	L	L' N'	770-1172	100

Measurement and regulation technology

Color	Coding	Marking	Item No.	PU
● gray	B	1 2	770-252	100
● gray	B	L N	770-252/060-000	100
● light green	B	1 2	770-272	100
● pink	B	1 2	770-292	100
● pink	B	I+ I-	770-292/080-000	100
● pink	B	+ -	770-292/082-000	100

DALI, Lighting Management

Color	Coding	Marking	Item No.	PU
● blue	I	DA+ DA-	770-1112	100



Accessories; for all products on this page



Locking lever; for flying leads; manually operated

Color	Item No.	PU (SPU)
● black	770-101	100 (25)
○ white	770-121	100 (25)



Locking lever; for flying leads; tool operated

Color	Item No.	PU (SPU)
● black	770-111	100 (25)
○ white	770-131	100 (25)



Lockout cap; for plugs; separable; Pole No.: 5

Color	Item No.	PU
● yellow	770-360	100



Operating tool; for WAGO WINSTA® MIDI Connectors; Pole No.: 2

Color	Item No.	PU (SPU)
● green	770-382	50 (1)



Strain relief housing; Connectable sheathed cable diameter: 7 ... 10.5 mm; Strip length (outer insulation): 35 mm

Color	Item No.	PU
● black	770-502/041-000	50
○ white	770-512/041-000	50



Strain relief housing; Connectable sheathed cable diameter: 5 ... 9 mm; Strip length (outer insulation): 35 mm

Color	Item No.	PU
● black	770-502/042-000	50
○ white	770-512/042-000	50

PU = Packaging Unit; SPU = Subpackaging Unit; Dimensions in mm

Distribution Connector ▶ WINSTA® MIDI ▶ 770 Series

Pole No.: 2



- Protected against mismatching and maintenance-free

Electrical Data			
Coding	A;B;L		
Ratings per	IEC/EN 60664-1		
Overvoltage category	III	III	II
Pollution degree	3	2	2
Rated voltage	250 V	-	-
Rated impulse voltage	4 kV	-	-
Rated current	25 A	-	-
Approbations per	UL 1977		
Rated voltage	600 V		
Rated current	23 A		

Material Data	
Insulation material	Polyamide (PA66)
Contact material	Copper or copper alloy (surface-treated)

Mechanical Data	
Number of mating cycles	200, without resistive load
Mating force of a plug-in connection	Approx. 20 ... 70 N (depending on pole number)
Unmating force of a plug-in connection	Unlocked: approx. 20 ... 70 N (depending on pole number)
Retention force of a plug-in connection	When locked: > 80 N
Protection type	IP20
Note on protection type	When mated: IP2xC (These compact connectors are not designed for use in open, easily accessible areas!)

Environmental Requirements	
Processing temperature	-5 ... +40 °C
Continuous operating temperature	-35 ... +85 °C
Note on continuous operating temperature	Insulating parts for temperatures ≤ 105 °C

All WINSTA® components are 100% protected against mismatching when:

- plugging different numbers of poles
- plugging while rotated 180
- plugging while laterally staggered
- plugging one pole

See technical section for further information

For approvals and corresponding ratings, visit www.wago.com

Distribution Connector ▶ WINSTA® MIDI ▶ 770 Series

Pole No.: 2

Linect® T-connector



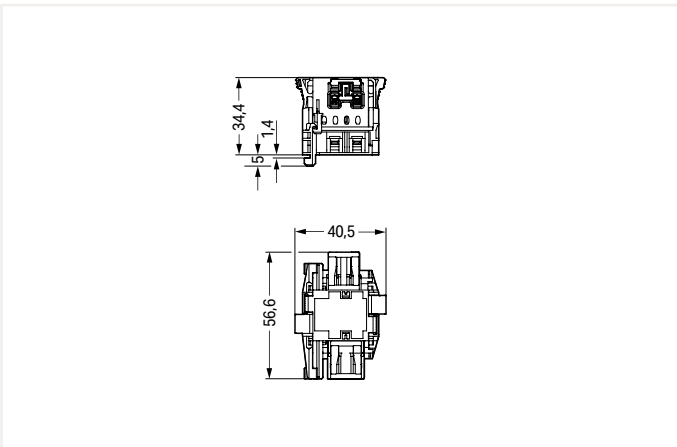
770-7102

DALI, Lighting Management

Cover Color	Coding	Marking	Item No.	PU
● blue	I	DA+ DA-	770-7102	25

Emergency power supply

Cover Color	Coding	Marking	Item No.	PU
● dark gray	L	L' N'	770-7502	25



2

Accessories; for all products on this page



Lockout cap; for socket; separable; Pole No.: 12			
Color	Item No.	PU	
● black	770-201	100	
○ white	770-221	100	

Lockout cap; for plugs; separable; Pole No.: 5			
Color	Item No.	PU	
● yellow	770-360	100	

PU = Packaging Unit; SPU = Subpackaging Unit; Dimensions in mm

Distribution Connector ▶ WINSTA® MIDI ▶ 770 Series

Pole No.: 2

T-distribution connector ▶ Number of locking levers: 2

T-distribution connector ▶ for flying leads ▶ Number of locking levers: 3



770-1606



770-1606

General mains applications

Color	Coding	Marking	Item No.	PU
● black	A	L N	770-1606	50
○ white	A	L N	770-1656	50

Measurement and regulation technology

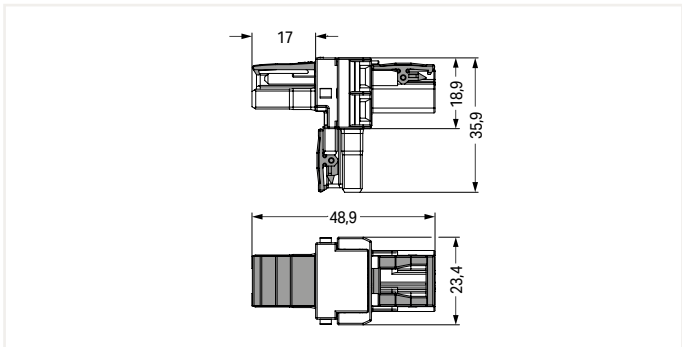
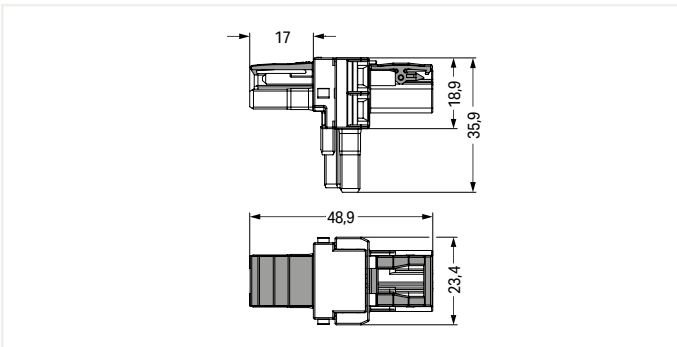
Color	Coding	Marking	Item No.	PU
● gray	B	1 2	770-1601	50
● light green	B	1 2	770-1602	50
● pink	B	1 2	770-1603	50

General mains applications

Color	Coding	Marking	Item No.	PU
● black	A	L N	770-1615	50
○ white	A	L N	770-1665	50

Measurement and regulation technology

Color	Coding	Marking	Item No.	PU
● gray	B	1 2	770-1701	50
● light green	B	1 2	770-1702	50
● pink	B	1 2	770-1703	50



Accessories; for all products on this page



Color	Item No.	PU
● black	770-201	100
○ white	770-221	100



Color	Item No.	PU
● yellow	770-360	100

PU = Packaging Unit; SPU = Subpackaging Unit; Dimensions in mm

Distribution Connector ▶ WINSTA® MIDI ▶ 770 Series

Pole No.: 2

h-distribution connector (bi-directional) ▶ Number of locking levers: 2

h-distribution connector (bi-directional) ▶ for flying leads ▶ Number of locking levers: 3



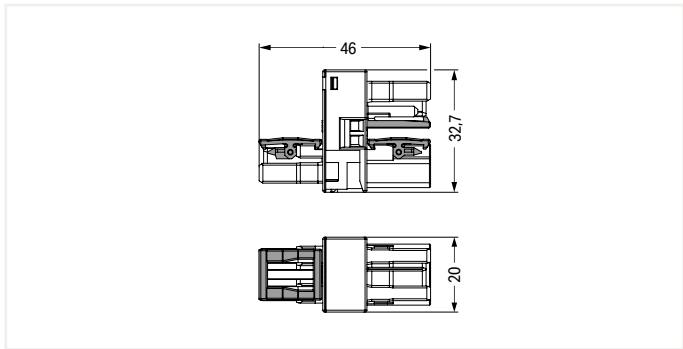
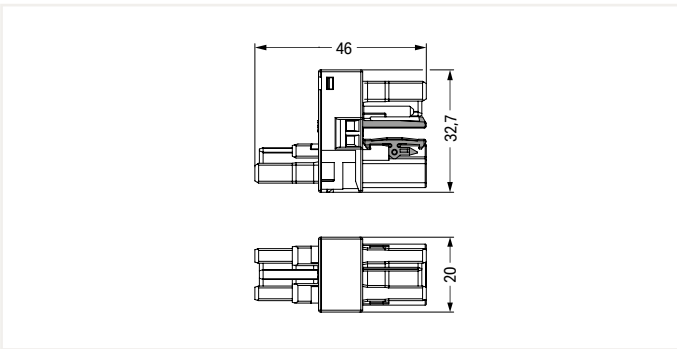
770-1608



770-1658

Measurement and regulation technology				
Color	Coding	Marking	Item No.	PU
● gray	B	1 2	770-1608	50
● light green	B	1 2	770-1609	50
● pink	B	1 2	770-1610	50

Measurement and regulation technology				
Color	Coding	Marking	Item No.	PU
● gray	B	1 2	770-1658	50
● light green	B	1 2	770-1659	50
● pink	B	1 2	770-1660	50



Accessories; for all products on this page



Mounting plate; for distribution connectors (except T-distribution connectors); 2-pole		
Color	Item No.	PU
● black	770-1626	25
○ white	770-1627	25



Lockout cap; for socket; separable; Pole No.: 12		
Color	Item No.	PU
● black	770-201	100
○ white	770-221	100



Lockout cap; for plugs; separable; Pole No.: 5		
Color	Item No.	PU
● yellow	770-360	100

PU = Packaging Unit; SPU = Subpackaging Unit; Dimensions in mm

Distribution Connector ▶ WINSTA® MIDI ▶ 770 Series

Pole No.: 2

h-distribution connector (unidirectional) ▶ Number of locking levers: 2

h-distribution connector (unidirectional) ▶ for flying leads ▶ Number of locking levers: 3



770-1634



770-1636

General mains applications

Color	Coding	Marking	Item No.	PU
● black	A	L N	770-1634	50
○ white	A	L N	770-1684	50

General mains applications

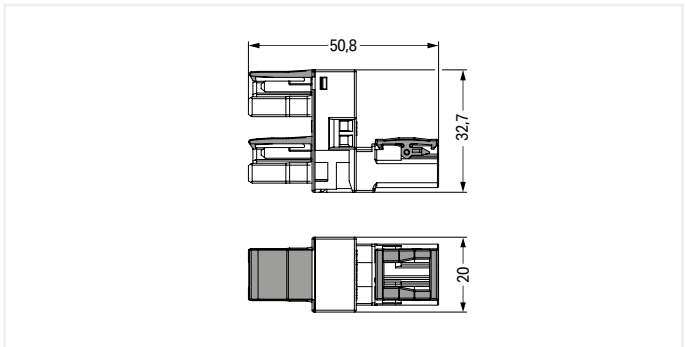
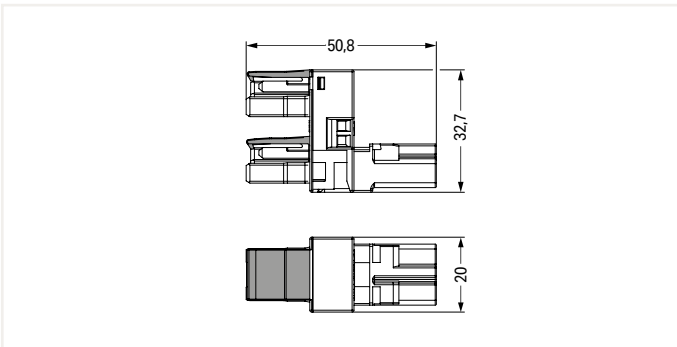
Color	Coding	Marking	Item No.	PU
● black	A	L N	770-1636	50
○ white	A	L N	770-1686	50

Measurement and regulation technology

Color	Coding	Marking	Item No.	PU
● gray	B	1 2	770-1651	50
● light green	B	1 2	770-1652	50
● pink	B	1 2	770-1653	50

Measurement and regulation technology

Color	Coding	Marking	Item No.	PU
● gray	B	1 2	770-1751	50
● light green	B	1 2	770-1752	50
● pink	B	1 2	770-1753	50



Accessories; for all products on this page



Mounting plate; for distribution connectors (except T-distribution connectors); 2-pole

Color	Item No.	PU
● black	770-1626	25
○ white	770-1627	25



Lockout cap; for socket; separable; Pole No.: 12

Color	Item No.	PU
● black	770-201	100
○ white	770-221	100



Lockout cap; for plugs; separable; Pole No.: 5

Color	Item No.	PU
● yellow	770-360	100

PU = Packaging Unit; SPU = Subpackaging Unit; Dimensions in mm

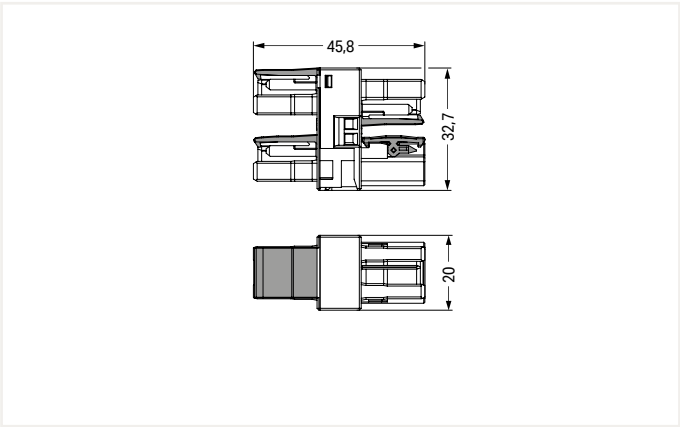
Distribution connector, 3-way,



770-1704

Measurement and regulation technology

Color	Coding	Marking	Item No.	PU
● gray	B	1 2	770-1704	50
● light green	B	1 2	770-1705	50
● pink	B	1 2	770-1706	50



Accessories; for all products on this page



Mounting plate; for distribution connectors (except T-distribution connectors); 2-pole		
Color	Item No.	PU
● black	770-1626	25
○ white	770-1627	25



Lockout cap; for socket; separable; Pole No.: 12		
Color	Item No.	PU
● black	770-201	100
○ white	770-221	100



Lockout cap; for plugs; separable; Pole No.: 5		
Color	Item No.	PU
● yellow	770-360	100

PU = Packaging Unit; SPU = Subpackaging Unit; Dimensions in mm

Cable Assembly ▶ WINSTA® MIDI ▶ 771 SeriesPole No.: 2 ▶ Protection type: IP20 ▶ Fire class per EN 50575: E_{ca}

- Protected against mismatching and maintenance-free
- Push-in CAGE CLAMP® spring pressure connection technology allows solid conductors to be simply pushed into a unit
- Two-wire connection per pole for loops or bridges

Electrical Data									
Coding	A;B;L			A;L			B		
Wire cross-section	1.5 mm ²			2.5 mm ²			1 mm ²		
Ratings per	IEC/EN 60664-1			IEC/EN 60664-1			IEC/EN 60664-1		
Overtoltage category	III	III	II	III	III	II	III	III	II
Pollution degree	3	2	2	3	2	2	3	2	2
Rated voltage	250 V	-	-	250 V	-	-	250 V	-	-
Rated impulse voltage	4 kV	-	-	4 kV	-	-	4 kV	-	-
Rated current	16 A	-	-	20 A	-	-	10 A	-	-

Material Data	
Insulation material	Polyamide (PA66)
Contact material	Copper or copper alloy (surface-treated)
Fire class per EN 50575	E _{ca}

Mechanical Data	
Number of mating cycles	200, without resistive load
Mating force of a plug-in connection	approx. 20 ... 70 N (depending on pole number)
Unmating force of a plug-in connection	when unlocked: approx. 20 ... 70 N (depending on pole number)
Retention force of a plug-in connection	when locked: > 80N
Protection type	IP20
Note on protection type	When mated: IP2xC (These compact connectors are not designed for use in open, easily accessible areas!)

Environmental Requirements	
Processing temperature	-5 ... +40 °C
Continuous operating temperature	-35 ... +85 °C
Note on continuous operating temperature	PVC cable for temperatures ≤ 70 °C (including halogen-free) Insulating parts for temperatures ≤ 105 °C

All WINSTA® components are 100% protected against mismatching when:

- plugging different numbers of poles
- plugging while rotated 180
- plugging while laterally staggered
- plugging one pole

Cables with a different fire class can be found in the eShop.

Cover Page 380

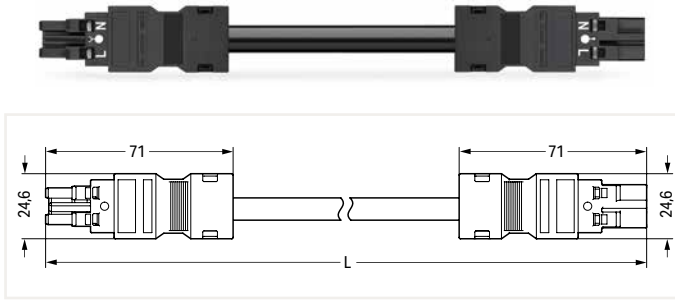
Marking Page 405

See technical section for further information

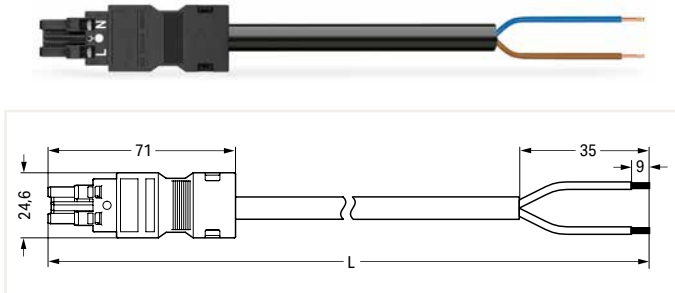
For approvals and corresponding ratings, visit www.wago.com

Cable Assembly ▶ WINSTA® MIDI ▶ 771 Series

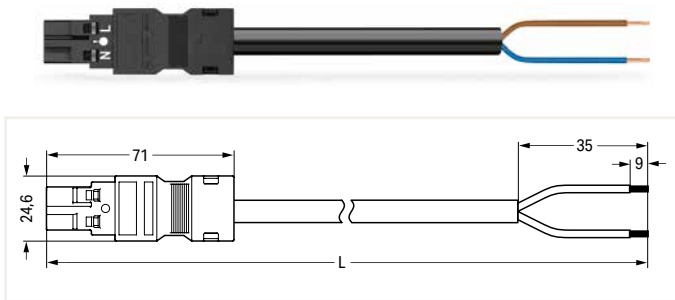
Pole No.: 2 ▶ Protection type: IP20 ▶ Fire class per EN 50575: E_{ca} ▶ Coding: A ▶ 1.5 mm² ▶ Marking: L N ▶ PVC ▶ Sheathed cable diameter: 6.8 ... 8.6 mm ▶ H05VV-F 2x1.5 ▶ General mains applications



Interconnecting cable ▶ Socket - Plug			
Total length	Connector color/Strain relief color		PU
	black/black	white/white	
1 m	771-8992/006-101	771-8992/006-102	1
2 m	771-8992/006-201	771-8992/006-202	1
3 m	771-8992/006-301	771-8992/006-302	1
4 m	771-8992/006-401	771-8992/006-402	1
5 m	771-8992/006-501	771-8992/006-502	1
6 m	771-8992/006-601	771-8992/006-602	1
7 m	771-8992/006-701	771-8992/006-702	1
8 m	771-8992/006-801	771-8992/006-802	1



Connecting cable ▶ Socket - Free end ▶ Strip length (outer insulation): 35 mm			
Total length	Connector color/Strain relief color		PU
	black/black	white/white	
1 m	771-8992/106-101	771-8992/106-102	1
2 m	771-8992/106-201	771-8992/106-202	1
3 m	771-8992/106-301	771-8992/106-302	1
4 m	771-8992/106-401	771-8992/106-402	1
5 m	771-8992/106-501	771-8992/106-502	1
6 m	771-8992/106-601	771-8992/106-602	1
7 m	771-8992/106-701	771-8992/106-702	1
8 m	771-8992/106-801	771-8992/106-802	1



Connecting cable ▶ Plug - Free end ▶ Strip length (outer insulation): 35 mm			
Total length	Connector color/Strain relief color		PU
	black/black	white/white	
1 m	771-8992/206-101	771-8992/206-102	1
2 m	771-8992/206-201	771-8992/206-202	1
3 m	771-8992/206-301	771-8992/206-302	1
4 m	771-8992/206-401	771-8992/206-402	1
5 m	771-8992/206-501	771-8992/206-502	1
6 m	771-8992/206-601	771-8992/206-602	1
7 m	771-8992/206-701	771-8992/206-702	1
8 m	771-8992/206-801	771-8992/206-802	1

Accessories; for all products on this page



Locking lever; for flying leads; manually operated		
Color	Item No.	PU (SPU)
● black	770-101	100 (25)
○ white	770-121	100 (25)



Locking lever; for flying leads; tool operated		
Color	Item No.	PU (SPU)
● black	770-111	100 (25)
○ white	770-131	100 (25)



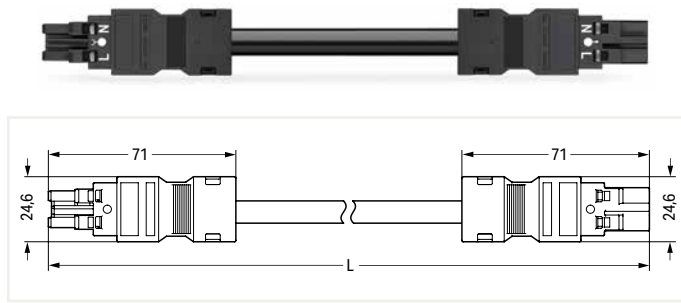
Mounting carrier; for flying leads; 2- to 5-pole		
Color	Item No.	PU
● black	770-310	25

PU = Packaging Unit; SPU = Subpackaging Unit; Dimensions in mm

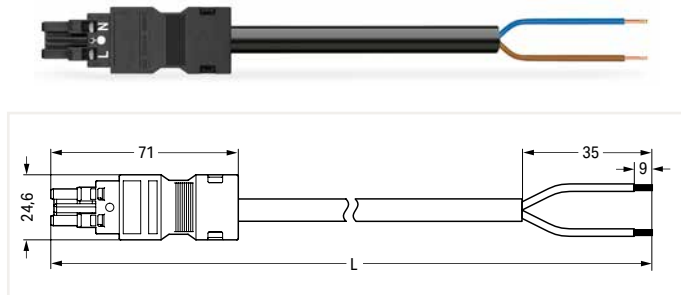
Cable Assembly ▶ WINSTA® MIDI ▶ 771 Series

Pole No.: 2 ▶ Protection type: IP20 ▶ Fire class per EN 50575: E_{ca} ▶ Coding: A ▶ 1.5 mm² ▶ Marking: L N ▶ Halogen-free ▶ Sheathed cable diameter: 6.8 ... 8.6 mm ▶ H05Z1Z1-F 2x1.5 ▶ General mains applications

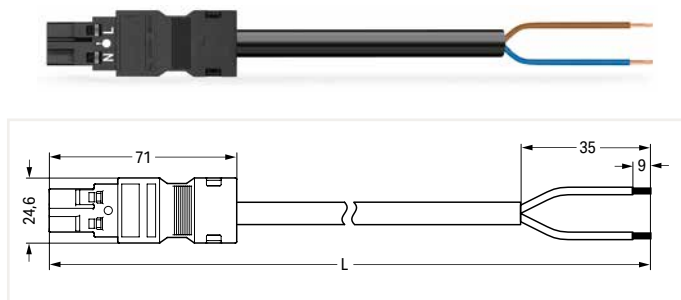
2



Interconnecting cable ▶ Socket - Plug			
Total length	Connector color/Strain relief color		PU
	black/black	white/white	
1 m	771-8992/016-101	771-8992/016-102	1
2 m	771-8992/016-201	771-8992/016-202	1
3 m	771-8992/016-301	771-8992/016-302	1
4 m	771-8992/016-401	771-8992/016-402	1
5 m	771-8992/016-501	771-8992/016-502	1
6 m	771-8992/016-601	771-8992/016-602	1
7 m	771-8992/016-701	771-8992/016-702	1
8 m	771-8992/016-801	771-8992/016-802	1



Connecting cable ▶ Socket - Free end ▶ Strip length (outer insulation): 35 mm			
Total length	Connector color/Strain relief color		PU
	black/black	white/white	
1 m	771-8992/116-101	771-8992/116-102	1
2 m	771-8992/116-201	771-8992/116-202	1
3 m	771-8992/116-301	771-8992/116-302	1
4 m	771-8992/116-401	771-8992/116-402	1
5 m	771-8992/116-501	771-8992/116-502	1
6 m	771-8992/116-601	771-8992/116-602	1
7 m	771-8992/116-701	771-8992/116-702	1
8 m	771-8992/116-801	771-8992/116-802	1



Connecting cable ▶ Plug - Free end ▶ Strip length (outer insulation): 35 mm			
Total length	Connector color/Strain relief color		PU
	black/black	white/white	
1 m	771-8992/216-101	771-8992/216-102	1
2 m	771-8992/216-201	771-8992/216-202	1
3 m	771-8992/216-301	771-8992/216-302	1
4 m	771-8992/216-401	771-8992/216-402	1
5 m	771-8992/216-501	771-8992/216-502	1
6 m	771-8992/216-601	771-8992/216-602	1
7 m	771-8992/216-701	771-8992/216-702	1
8 m	771-8992/216-801	771-8992/216-802	1

Accessories; for all products on this page



Locking lever; for flying leads; manually operated		
Color	Item No.	PU (SPU)
● black	770-101	100 (25)
○ white	770-121	100 (25)



Locking lever; for flying leads; tool operated		
Color	Item No.	PU (SPU)
● black	770-111	100 (25)
○ white	770-131	100 (25)

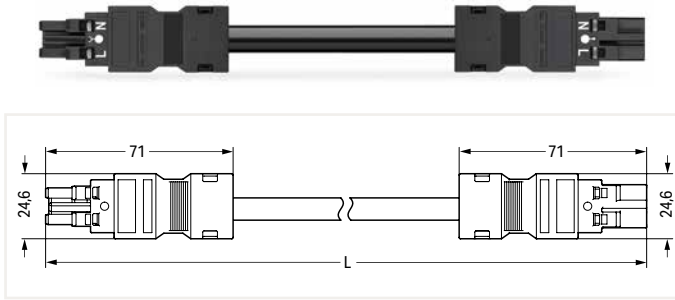


Mounting carrier; for flying leads; 2- to 5-pole		
Color	Item No.	PU
● black	770-310	25

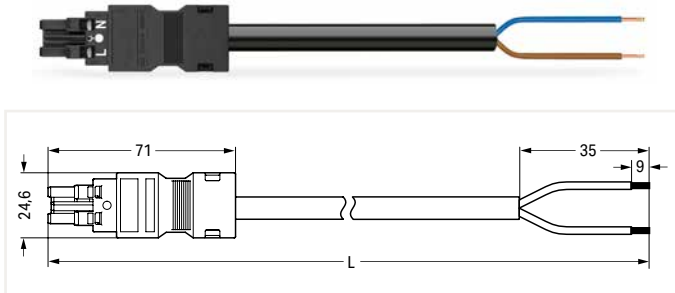
PU = Packaging Unit; SPU = Subpackaging Unit; Dimensions in mm

Cable Assembly ▶ WINSTA® MIDI ▶ 771 Series

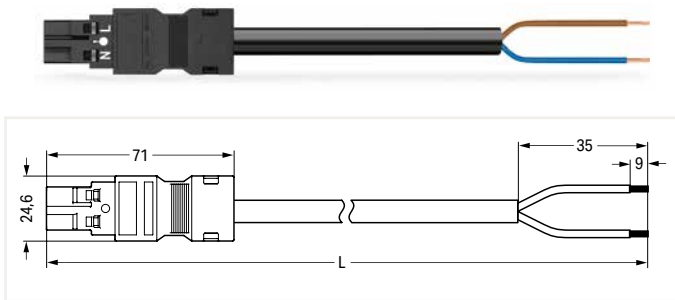
Pole No.: 2 ▶ Protection type: IP20 ▶ Fire class per EN 50575: E_{ca} ▶ Coding: A ▶ 2.5 mm² ▶ Marking: L N ▶ PVC ▶ Sheathed cable diameter: 8.4 ... 10.6 mm ▶ H05VV-F 2x2.5 ▶ General mains applications



Interconnecting cable ▶ Socket - Plug			
Total length	Connector color/Strain relief color		PU
	black/black	white/white	
1 m	771-8992/007-101	771-8992/007-102	1
2 m	771-8992/007-201	771-8992/007-202	1
3 m	771-8992/007-301	771-8992/007-302	1
4 m	771-8992/007-401	771-8992/007-402	1
5 m	771-8992/007-501	771-8992/007-502	1
6 m	771-8992/007-601	771-8992/007-602	1
7 m	771-8992/007-701	771-8992/007-702	1
8 m	771-8992/007-801	771-8992/007-802	1



Connecting cable ▶ Socket - Free end ▶ Strip length (outer insulation): 35 mm			
Total length	Connector color/Strain relief color		PU
	black/black	white/white	
1 m	771-8992/107-101	771-8992/107-102	1
2 m	771-8992/107-201	771-8992/107-202	1
3 m	771-8992/107-301	771-8992/107-302	1
4 m	771-8992/107-401	771-8992/107-402	1
5 m	771-8992/107-501	771-8992/107-502	1
6 m	771-8992/107-601	771-8992/107-602	1
7 m	771-8992/107-701	771-8992/107-702	1
8 m	771-8992/107-801	771-8992/107-802	1



Connecting cable ▶ Plug - Free end ▶ Strip length (outer insulation): 35 mm			
Total length	Connector color/Strain relief color		PU
	black/black	white/white	
1 m	771-8992/207-101	771-8992/207-102	1
2 m	771-8992/207-201	771-8992/207-202	1
3 m	771-8992/207-301	771-8992/207-302	1
4 m	771-8992/207-401	771-8992/207-402	1
5 m	771-8992/207-501	771-8992/207-502	1
6 m	771-8992/207-601	771-8992/207-602	1
7 m	771-8992/207-701	771-8992/207-702	1
8 m	771-8992/207-801	771-8992/207-802	1

Accessories; for all products on this page



Locking lever; for flying leads; manually operated		
Color	Item No.	PU (SPU)
● black	770-101	100 (25)
○ white	770-121	100 (25)



Locking lever; for flying leads; tool operated		
Color	Item No.	PU (SPU)
● black	770-111	100 (25)
○ white	770-131	100 (25)



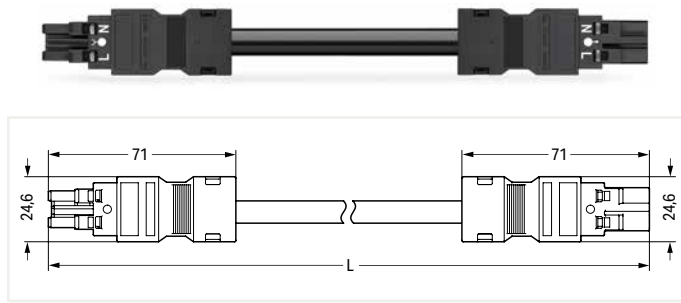
Mounting carrier; for flying leads; 2- to 5-pole		
Color	Item No.	PU
● black	770-310	25

PU = Packaging Unit; SPU = Subpackaging Unit; Dimensions in mm

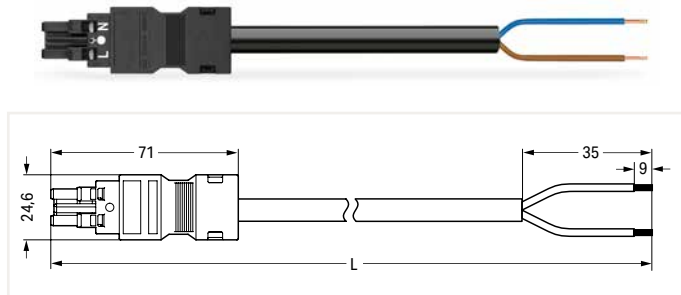
Cable Assembly ▶ WINSTA® MIDI ▶ 771 Series

Pole No.: 2 ▶ Protection type: IP20 ▶ Fire class per EN 50575: E_{ca} ▶ Coding: A ▶ 2.5 mm² ▶ Mar-
 king: L N ▶ Halogen-free ▶ Sheathed cable diameter: 8.4 ... 10.6 mm ▶ H05Z1Z1-F 2x2.5 ▶ General
 mains applications

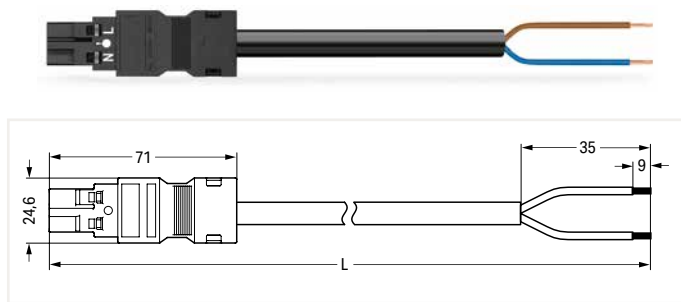
2



Interconnecting cable ▶ Socket - Plug			
Total length	Connector color/Strain relief color		PU
	black/black	white/white	
1 m	771-8992/017-101	771-8992/017-102	1
2 m	771-8992/017-201	771-8992/017-202	1
3 m	771-8992/017-301	771-8992/017-302	1
4 m	771-8992/017-401	771-8992/017-402	1
5 m	771-8992/017-501	771-8992/017-502	1
6 m	771-8992/017-601	771-8992/017-602	1
7 m	771-8992/017-701	771-8992/017-702	1
8 m	771-8992/017-801	771-8992/017-802	1



Connecting cable ▶ Socket - Free end ▶ Strip length (outer insulation): 35 mm			
Total length	Connector color/Strain relief color		PU
	black/black	white/white	
1 m	771-8992/117-101	771-8992/117-102	1
2 m	771-8992/117-201	771-8992/117-202	1
3 m	771-8992/117-301	771-8992/117-302	1
4 m	771-8992/117-401	771-8992/117-402	1
5 m	771-8992/117-501	771-8992/117-502	1
6 m	771-8992/117-601	771-8992/117-602	1
7 m	771-8992/117-701	771-8992/117-702	1
8 m	771-8992/117-801	771-8992/117-802	1



Connecting cable ▶ Plug - Free end ▶ Strip length (outer insulation): 35 mm			
Total length	Connector color/Strain relief color		PU
	black/black	white/white	
1 m	771-8992/217-101	771-8992/217-102	1
2 m	771-8992/217-201	771-8992/217-202	1
3 m	771-8992/217-301	771-8992/217-302	1
4 m	771-8992/217-401	771-8992/217-402	1
5 m	771-8992/217-501	771-8992/217-502	1
6 m	771-8992/217-601	771-8992/217-602	1
7 m	771-8992/217-701	771-8992/217-702	1
8 m	771-8992/217-801	771-8992/217-802	1

Accessories; for all products on this page



Locking lever; for flying leads; manually operated		
Color	Item No.	PU (SPU)
● black	770-101	100 (25)
○ white	770-121	100 (25)



Locking lever; for flying leads; tool operated		
Color	Item No.	PU (SPU)
● black	770-111	100 (25)
○ white	770-131	100 (25)

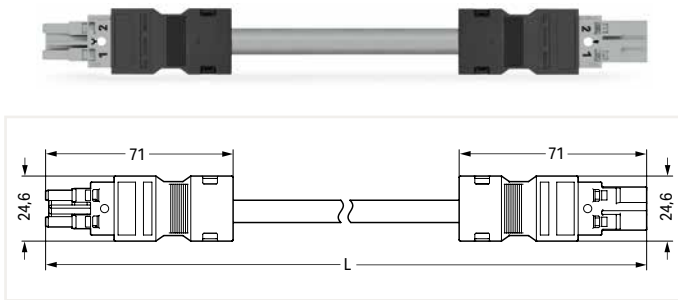


Mounting carrier; for flying leads; 2- to 5-pole		
Color	Item No.	PU
● black	770-310	25

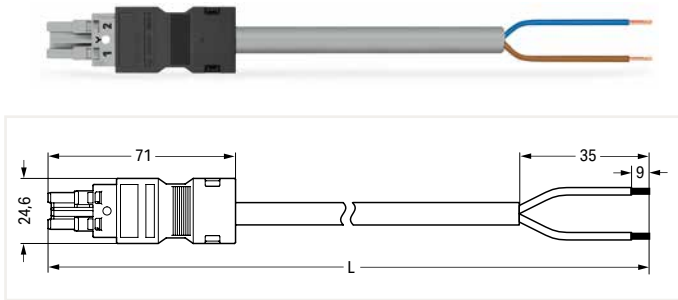
PU = Packaging Unit; SPU = Subpackaging Unit; Dimensions in mm

Cable Assembly ▶ WINSTA® MIDI ▶ 771 Series

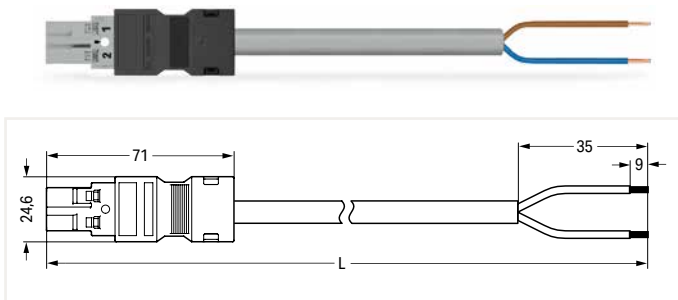
Pole No.: 2 ▶ Protection type: IP20 ▶ Fire class per EN 50575: E_{ca} ▶ Coding: B ▶ 1 mm² ▶ Marking: 1 2 ▶ PVC ▶ Sheathed cable diameter: 5.9 ... 7.5 mm ▶ Control line 2 x 1 ▶ Measurement and regulation technology



Interconnecting cable ▶ Socket - Plug				
Total length	Connector color/Strain relief color			PU
	gray/black	light green/black	pink/black	
1 m	771-8992/005-103	771-8992/005-105	771-8992/005-107	1
2 m	771-8992/005-203	771-8992/005-205	771-8992/005-207	1
3 m	771-8992/005-303	771-8992/005-305	771-8992/005-307	1
4 m	771-8992/005-403	771-8992/005-405	771-8992/005-407	1
5 m	771-8992/005-503	771-8992/005-505	771-8992/005-507	1
6 m	771-8992/005-603	771-8992/005-605	771-8992/005-607	1
7 m	771-8992/005-703	771-8992/005-705	771-8992/005-707	1
8 m	771-8992/005-803	771-8992/005-805	771-8992/005-807	1



Connecting cable ▶ Socket - Free end ▶ Strip length (outer insulation): 35 mm				
Total length	Connector color/Strain relief color			PU
	gray/black	light green/black	pink/black	
1 m	771-8992/105-103	771-8992/105-105	771-8992/105-107	1
2 m	771-8992/105-203	771-8992/105-205	771-8992/105-207	1
3 m	771-8992/105-303	771-8992/105-305	771-8992/105-307	1
4 m	771-8992/105-403	771-8992/105-405	771-8992/105-407	1
5 m	771-8992/105-503	771-8992/105-505	771-8992/105-507	1
6 m	771-8992/105-603	771-8992/105-605	771-8992/105-607	1
7 m	771-8992/105-703	771-8992/105-705	771-8992/105-707	1
8 m	771-8992/105-803	771-8992/105-805	771-8992/105-807	1



Connecting cable ▶ Plug - Free end ▶ Strip length (outer insulation): 35 mm				
Total length	Connector color/Strain relief color			PU
	gray/black	light green/black	pink/black	
1 m	771-8992/205-103	771-8992/205-105	771-8992/205-107	1
2 m	771-8992/205-203	771-8992/205-205	771-8992/205-207	1
3 m	771-8992/205-303	771-8992/205-305	771-8992/205-307	1
4 m	771-8992/205-403	771-8992/205-405	771-8992/205-407	1
5 m	771-8992/205-503	771-8992/205-505	771-8992/205-507	1
6 m	771-8992/205-603	771-8992/205-605	771-8992/205-607	1
7 m	771-8992/205-703	771-8992/205-705	771-8992/205-707	1
8 m	771-8992/205-803	771-8992/205-805	771-8992/205-807	1

2

Accessories; for all products on this page



Locking lever; for flying leads; manually operated			
Color	Item No.	PU (SPU)	
● black	770-101	100 (25)	
○ white	770-121	100 (25)	



Locking lever; for flying leads; tool operated			
Color	Item No.	PU (SPU)	
● black	770-111	100 (25)	
○ white	770-131	100 (25)	



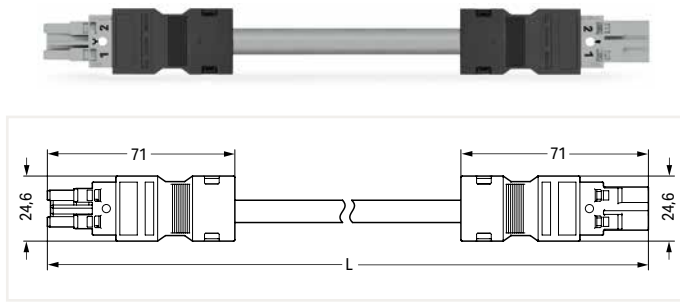
Mounting carrier; for flying leads; 2- to 5-pole			
Color	Item No.	PU	
● black	770-310	25	

PU = Packaging Unit; SPU = Subpackaging Unit; Dimensions in mm

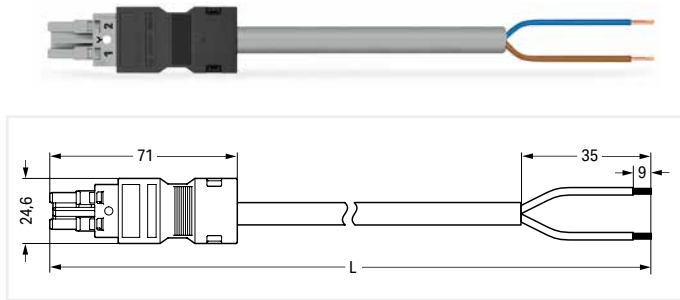
Cable Assembly ▶ WINSTA® MIDI ▶ 771 Series

Pole No.: 2 ▶ Protection type: IP20 ▶ Fire class per EN 50575: E_{ca} ▶ Coding: B ▶ 1.5 mm² ▶ Marking: 1 2 ▶ PVC ▶ Sheathed cable diameter: 6.8 ... 8.6 mm ▶ Control line 2 x 1.5 ▶ Measurement and regulation technology

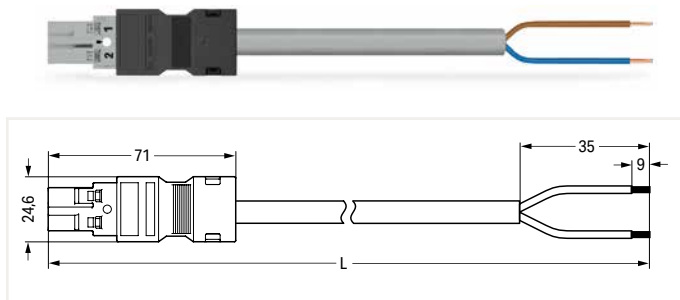
2



Interconnecting cable ▶ Socket - Plug				
Total length	Connector color/Strain relief color			PU
	gray/black	light green/black	pink/black	
1 m	771-8992/006-103	771-8992/006-105	771-8992/006-107	1
2 m	771-8992/006-203	771-8992/006-205	771-8992/006-207	1
3 m	771-8992/006-303	771-8992/006-305	771-8992/006-307	1
4 m	771-8992/006-403	771-8992/006-405	771-8992/006-407	1
5 m	771-8992/006-503	771-8992/006-505	771-8992/006-507	1
6 m	771-8992/006-603	771-8992/006-605	771-8992/006-607	1
7 m	771-8992/006-703	771-8992/006-705	771-8992/006-707	1
8 m	771-8992/006-803	771-8992/006-805	771-8992/006-807	1



Connecting cable ▶ Socket - Free end ▶ Strip length (outer insulation): 35 mm				
Total length	Connector color/Strain relief color			PU
	gray/black	light green/black	pink/black	
1 m	771-8992/106-103	771-8992/106-105	771-8992/106-107	1
2 m	771-8992/106-203	771-8992/106-205	771-8992/106-207	1
3 m	771-8992/106-303	771-8992/106-305	771-8992/106-307	1
4 m	771-8992/106-403	771-8992/106-405	771-8992/106-407	1
5 m	771-8992/106-503	771-8992/106-505	771-8992/106-507	1
6 m	771-8992/106-603	771-8992/106-605	771-8992/106-607	1
7 m	771-8992/106-703	771-8992/106-705	771-8992/106-707	1
8 m	771-8992/106-803	771-8992/106-805	771-8992/106-807	1



Connecting cable ▶ Plug - Free end ▶ Strip length (outer insulation): 35 mm				
Total length	Connector color/Strain relief color			PU
	gray/black	light green/black	pink/black	
1 m	771-8992/206-103	771-8992/206-105	771-8992/206-107	1
2 m	771-8992/206-203	771-8992/206-205	771-8992/206-207	1
3 m	771-8992/206-303	771-8992/206-305	771-8992/206-307	1
4 m	771-8992/206-403	771-8992/206-405	771-8992/206-407	1
5 m	771-8992/206-503	771-8992/206-505	771-8992/206-507	1
6 m	771-8992/206-603	771-8992/206-605	771-8992/206-607	1
7 m	771-8992/206-703	771-8992/206-705	771-8992/206-707	1
8 m	771-8992/206-803	771-8992/206-805	771-8992/206-807	1

Accessories; for all products on this page



Locking lever; for flying leads; manually operated			
Color	Item No.	PU (SPU)	
● black	770-101	100 (25)	
○ white	770-121	100 (25)	



Locking lever; for flying leads; tool operated			
Color	Item No.	PU (SPU)	
● black	770-111	100 (25)	
○ white	770-131	100 (25)	

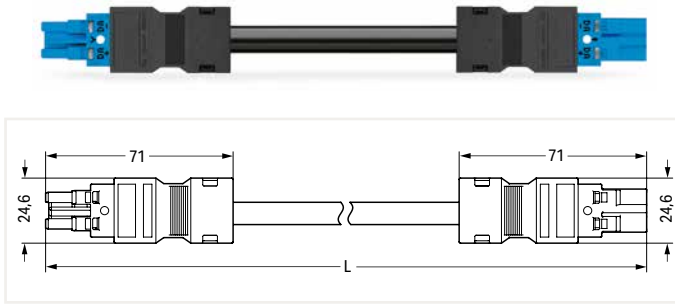


Mounting carrier; for flying leads; 2- to 5-pole			
Color	Item No.	PU	
● black	770-310	25	

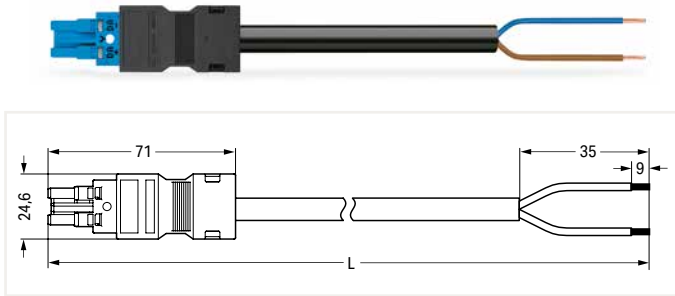
PU = Packaging Unit; SPU = Subpackaging Unit; Dimensions in mm

Cable Assembly ▶ WINSTA® MIDI ▶ 771 Series

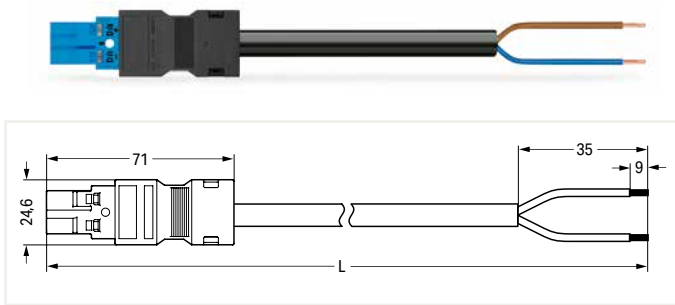
Pole No.: 2 ▶ Protection type: IP20 ▶ Fire class per EN 50575: E_{ca} ▶ Coding: I ▶ 1.5 mm² ▶ Marking: DA+ DA- ▶ PVC ▶ Sheathed cable diameter: 6.8 ... 8.6 mm ▶ H05VV-F 2x1.5 ▶ DALI, Lighting Management



Interconnecting cable ▶ Socket - Plug			
Total length	Connector color/Strain relief color		PU
	blue/black	blue/white	
1 m	771-8982/006-101	771-8982/006-102	1
2 m	771-8982/006-201	771-8982/006-202	1
3 m	771-8982/006-301	771-8982/006-302	1
4 m	771-8982/006-401	771-8982/006-402	1
5 m	771-8982/006-501	771-8982/006-502	1
6 m	771-8982/006-601	771-8982/006-602	1
7 m	771-8982/006-701	771-8982/006-702	1
8 m	771-8982/006-801	771-8982/006-802	1



Connecting cable ▶ Socket - Free end ▶ Strip length (outer insulation): 35 mm			
Total length	Connector color/Strain relief color		PU
	blue/black	blue/white	
1 m	771-8982/106-101	771-8982/106-102	1
2 m	771-8982/106-201	771-8982/106-202	1
3 m	771-8982/106-301	771-8982/106-302	1
4 m	771-8982/106-401	771-8982/106-402	1
5 m	771-8982/106-501	771-8982/106-502	1
6 m	771-8982/106-601	771-8982/106-602	1
7 m	771-8982/106-701	771-8982/106-702	1
8 m	771-8982/106-801	771-8982/106-802	1



Connecting cable ▶ Plug - Free end ▶ Strip length (outer insulation): 35 mm			
Total length	Connector color/Strain relief color		PU
	blue/black	blue/white	
1 m	771-8982/206-101	771-8982/206-102	1
2 m	771-8982/206-201	771-8982/206-202	1
3 m	771-8982/206-301	771-8982/206-302	1
4 m	771-8982/206-401	771-8982/206-402	1
5 m	771-8982/206-501	771-8982/206-502	1
6 m	771-8982/206-601	771-8982/206-602	1
7 m	771-8982/206-701	771-8982/206-702	1
8 m	771-8982/206-801	771-8982/206-802	1

Accessories; for all products on this page



Locking lever; for flying leads; manually operated		
Color	Item No.	PU (SPU)
● black	770-101	100 (25)
○ white	770-121	100 (25)



Locking lever; for flying leads; tool operated		
Color	Item No.	PU (SPU)
● black	770-111	100 (25)
○ white	770-131	100 (25)

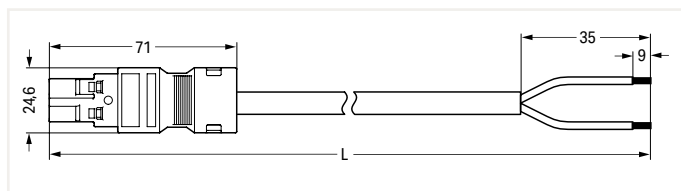
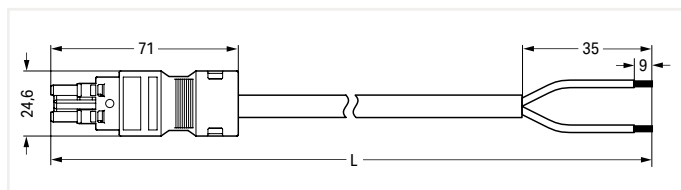
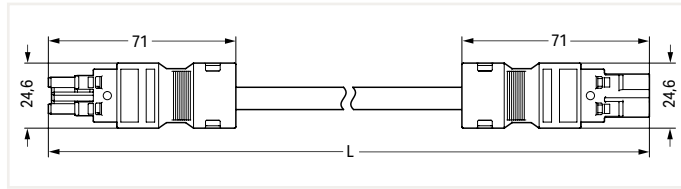


Mounting carrier; for flying leads; 2- to 5-pole		
Color	Item No.	PU
● black	770-310	25

PU = Packaging Unit; SPU = Subpackaging Unit; Dimensions in mm

Cable Assembly ▶ WINSTA® MIDI ▶ 771 Series

Pole No.: 2 ▶ Protection type: IP20 ▶ Fire class per EN 50575: E_{ca} ▶ Coding: I ▶ 1.5 mm² ▶ Marking: DA+ DA- ▶ Halogen-free ▶ Sheathed cable diameter: 6.8 ... 8.6 mm ▶ H05Z1Z1-F 2x1.5 ▶ DALI, Lighting Management



Interconnecting cable ▶ Socket - Plug

Total length	Connector color/Strain relief color		PU
	blue/black	blue/white	
1 m	771-8982/016-101	771-8982/016-102	1
2 m	771-8982/016-201	771-8982/016-202	1
3 m	771-8982/016-301	771-8982/016-302	1
4 m	771-8982/016-401	771-8982/016-402	1
5 m	771-8982/016-501	771-8982/016-502	1
6 m	771-8982/016-601	771-8982/016-602	1
7 m	771-8982/016-701	771-8982/016-702	1
8 m	771-8982/016-801	771-8982/016-802	1

Connecting cable ▶ Socket - Free end ▶ Strip length (outer insulation): 35 mm

Total length	Connector color/Strain relief color		PU
	blue/black	blue/white	
1 m	771-8982/116-101	771-8982/116-102	1
2 m	771-8982/116-201	771-8982/116-202	1
3 m	771-8982/116-301	771-8982/116-302	1
4 m	771-8982/116-401	771-8982/116-402	1
5 m	771-8982/116-501	771-8982/116-502	1
6 m	771-8982/116-601	771-8982/116-602	1
7 m	771-8982/116-701	771-8982/116-702	1
8 m	771-8982/116-801	771-8982/116-802	1

Connecting cable ▶ Plug - Free end ▶ Strip length (outer insulation): 35 mm

Total length	Connector color/Strain relief color		PU
	blue/black	blue/white	
1 m	771-8982/216-101	771-8982/216-102	1
2 m	771-8982/216-201	771-8982/216-202	1
3 m	771-8982/216-301	771-8982/216-302	1
4 m	771-8982/216-401	771-8982/216-402	1
5 m	771-8982/216-501	771-8982/216-502	1
6 m	771-8982/216-601	771-8982/216-602	1
7 m	771-8982/216-701	771-8982/216-702	1
8 m	771-8982/216-801	771-8982/216-802	1

Accessories; for all products on this page



Locking lever; for flying leads; manually operated		
Color	Item No.	PU (SPU)
● black	770-101	100 (25)
○ white	770-121	100 (25)



Locking lever; for flying leads; tool operated		
Color	Item No.	PU (SPU)
● black	770-111	100 (25)
○ white	770-131	100 (25)

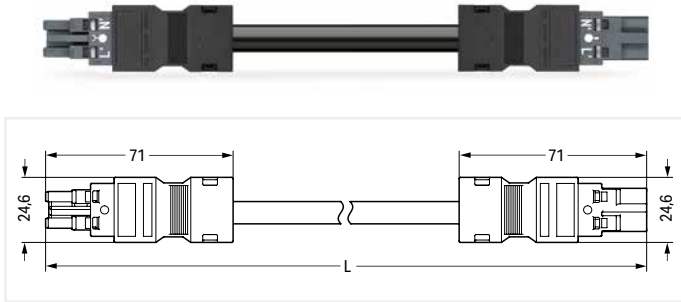


Mounting carrier; for flying leads; 2- to 5-pole		
Color	Item No.	PU
● black	770-310	25

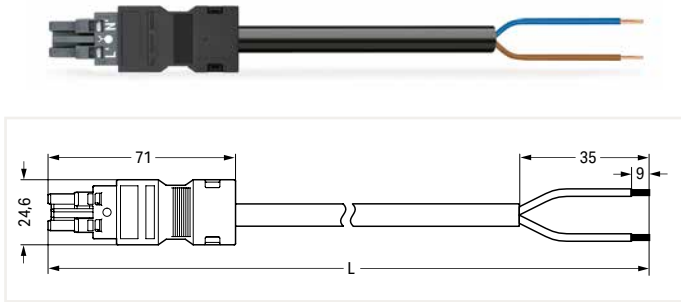
PU = Packaging Unit; SPU = Subpackaging Unit; Dimensions in mm

Cable Assembly ▶ WINSTA® MIDI ▶ 771 Series

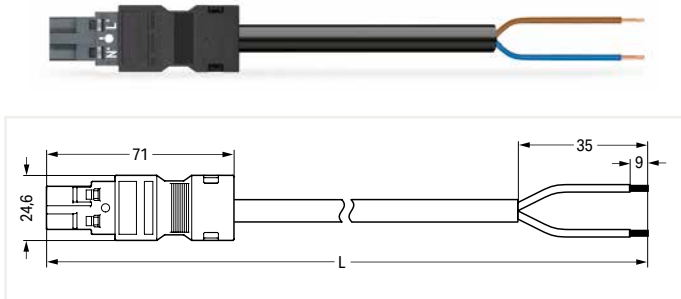
Pole No.: 2 ▶ Protection type: IP20 ▶ Fire class per EN 50575: E_{ca} ▶ Coding: L ▶ 1.5 mm² ▶ Marking: L' N' ▶ PVC ▶ Sheathed cable diameter: 6.8 ... 8.6 mm ▶ H05VV-F 2x1.5 ▶ Emergency power supply



Interconnecting cable ▶ Socket - Plug			
Total length	Connector color/Strain relief color		PU
	dark gray/black	dark gray/white	
1 m	771-8982/006-103	771-8982/006-104	1
2 m	771-8982/006-203	771-8982/006-204	1
3 m	771-8982/006-303	771-8982/006-304	1
4 m	771-8982/006-403	771-8982/006-404	1
5 m	771-8982/006-503	771-8982/006-504	1
6 m	771-8982/006-603	771-8982/006-604	1
7 m	771-8982/006-703	771-8982/006-704	1
8 m	771-8982/006-803	771-8982/006-804	1



Connecting cable ▶ Socket - Free end ▶ Strip length (outer insulation): 35 mm			
Total length	Connector color/Strain relief color		PU
	dark gray/black	dark gray/white	
1 m	771-8982/106-103	771-8982/106-104	1
2 m	771-8982/106-203	771-8982/106-204	1
3 m	771-8982/106-303	771-8982/106-304	1
4 m	771-8982/106-403	771-8982/106-404	1
5 m	771-8982/106-503	771-8982/106-504	1
6 m	771-8982/106-603	771-8982/106-604	1
7 m	771-8982/106-703	771-8982/106-704	1
8 m	771-8982/106-803	771-8982/106-804	1



Connecting cable ▶ Plug - Free end ▶ Strip length (outer insulation): 35 mm			
Total length	Connector color/Strain relief color		PU
	dark gray/black	dark gray/white	
1 m	771-8982/206-103	771-8982/206-104	1
2 m	771-8982/206-203	771-8982/206-204	1
3 m	771-8982/206-303	771-8982/206-304	1
4 m	771-8982/206-403	771-8982/206-404	1
5 m	771-8982/206-503	771-8982/206-504	1
6 m	771-8982/206-603	771-8982/206-604	1
7 m	771-8982/206-703	771-8982/206-704	1
8 m	771-8982/206-803	771-8982/206-804	1

2

Accessories; for all products on this page



Locking lever; for flying leads; manually operated		
Color	Item No.	PU (SPU)
● black	770-101	100 (25)
○ white	770-121	100 (25)



Locking lever; for flying leads; tool operated		
Color	Item No.	PU (SPU)
● black	770-111	100 (25)
○ white	770-131	100 (25)

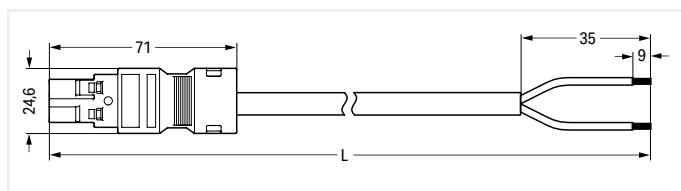
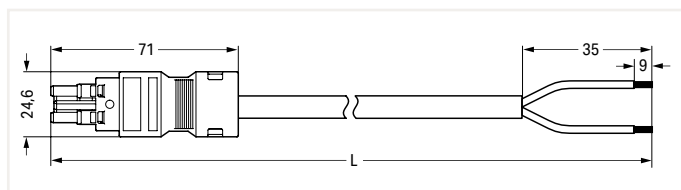
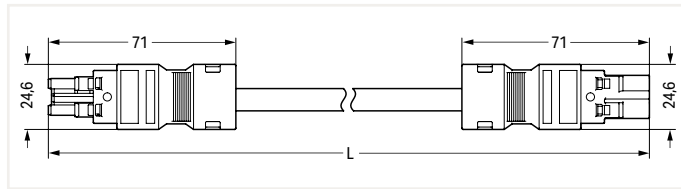


Mounting carrier; for flying leads; 2- to 5-pole		
Color	Item No.	PU
● black	770-310	25

PU = Packaging Unit; SPU = Subpackaging Unit; Dimensions in mm

Cable Assembly ▶ WINSTA® MIDI ▶ 771 Series

Pole No.: 2 ▶ Protection type: IP20 ▶ Fire class per EN 50575: E_{ca} ▶ Coding: L ▶ 1.5 mm² ▶ Marking: L' N' ▶ Halogen-free ▶ Sheathed cable diameter: 6.8 ... 8.6 mm ▶ H05Z1Z1-F 2x1.5 ▶ Emergency power supply



Interconnecting cable ▶ Socket - Plug

Total length	Connector color/Strain relief color		PU
	dark gray/black	dark gray/white	
1 m	771-8982/016-103	771-8982/016-104	1
2 m	771-8982/016-203	771-8982/016-204	1
3 m	771-8982/016-303	771-8982/016-304	1
4 m	771-8982/016-403	771-8982/016-404	1
5 m	771-8982/016-503	771-8982/016-504	1
6 m	771-8982/016-603	771-8982/016-604	1
7 m	771-8982/016-703	771-8982/016-704	1
8 m	771-8982/016-803	771-8982/016-804	1

Connecting cable ▶ Socket - Free end ▶ Strip length (outer insulation): 35 mm

Total length	Connector color/Strain relief color		PU
	dark gray/black	dark gray/white	
1 m	771-8982/116-103	771-8982/116-104	1
2 m	771-8982/116-203	771-8982/116-204	1
3 m	771-8982/116-303	771-8982/116-304	1
4 m	771-8982/116-403	771-8982/116-404	1
5 m	771-8982/116-503	771-8982/116-504	1
6 m	771-8982/116-603	771-8982/116-604	1
7 m	771-8982/116-703	771-8982/116-704	1
8 m	771-8982/116-803	771-8982/116-804	1

Connecting cable ▶ Plug - Free end ▶ Strip length (outer insulation): 35 mm

Total length	Connector color/Strain relief color		PU
	dark gray/black	dark gray/white	
1 m	771-8982/216-103	771-8982/216-104	1
2 m	771-8982/216-203	771-8982/216-204	1
3 m	771-8982/216-303	771-8982/216-304	1
4 m	771-8982/216-403	771-8982/216-404	1
5 m	771-8982/216-503	771-8982/216-504	1
6 m	771-8982/216-603	771-8982/216-604	1
7 m	771-8982/216-703	771-8982/216-704	1
8 m	771-8982/216-803	771-8982/216-804	1

Accessories; for all products on this page



Locking lever; for flying leads; manually operated		
Color	Item No.	PU (SPU)
● black	770-101	100 (25)
○ white	770-121	100 (25)



Locking lever; for flying leads; tool operated		
Color	Item No.	PU (SPU)
● black	770-111	100 (25)
○ white	770-131	100 (25)

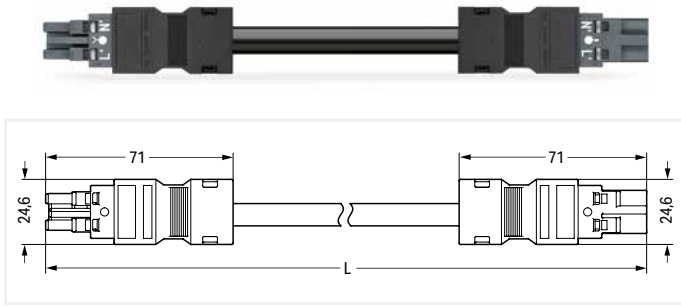


Mounting carrier; for flying leads; 2- to 5-pole		
Color	Item No.	PU
● black	770-310	25

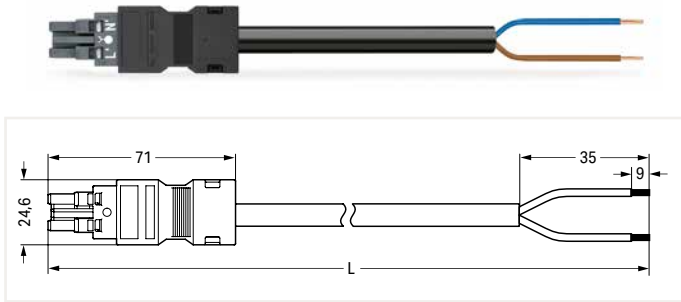
PU = Packaging Unit; SPU = Subpackaging Unit; Dimensions in mm

Cable Assembly ▶ WINSTA® MIDI ▶ 771 Series

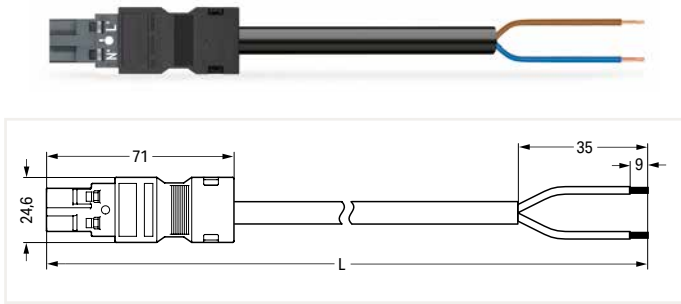
Pole No.: 2 ▶ Protection type: IP20 ▶ Fire class per EN 50575: E_{ca} ▶ Coding: L ▶ 2.5 mm² ▶ Marking: L' N' ▶ PVC ▶ Sheathed cable diameter: 8.4 ... 10.6 mm ▶ H05VV-F 2x2.5 ▶ Emergency power supply



Interconnecting cable ▶ Socket - Plug			
Total length	Connector color/Strain relief color		PU
	dark gray/black	dark gray/white	
1 m	771-8982/007-103	771-8982/007-104	1
2 m	771-8982/007-203	771-8982/007-204	1
3 m	771-8982/007-303	771-8982/007-304	1
4 m	771-8982/007-403	771-8982/007-404	1
5 m	771-8982/007-503	771-8982/007-504	1
6 m	771-8982/007-603	771-8982/007-604	1
7 m	771-8982/007-703	771-8982/007-704	1
8 m	771-8982/007-803	771-8982/007-804	1



Connecting cable ▶ Socket - Free end ▶ Strip length (outer insulation): 35 mm			
Total length	Connector color/Strain relief color		PU
	dark gray/black	dark gray/white	
1 m	771-8982/107-103	771-8982/107-104	1
2 m	771-8982/107-203	771-8982/107-204	1
3 m	771-8982/107-303	771-8982/107-304	1
4 m	771-8982/107-403	771-8982/107-404	1
5 m	771-8982/107-503	771-8982/107-504	1
6 m	771-8982/107-603	771-8982/107-604	1
7 m	771-8982/107-703	771-8982/107-704	1
8 m	771-8982/107-803	771-8982/107-804	1



Connecting cable ▶ Plug - Free end ▶ Strip length (outer insulation): 35 mm			
Total length	Connector color/Strain relief color		PU
	dark gray/black	dark gray/white	
1 m	771-8982/207-103	771-8982/207-104	1
2 m	771-8982/207-203	771-8982/207-204	1
3 m	771-8982/207-303	771-8982/207-304	1
4 m	771-8982/207-403	771-8982/207-404	1
5 m	771-8982/207-503	771-8982/207-504	1
6 m	771-8982/207-603	771-8982/207-604	1
7 m	771-8982/207-703	771-8982/207-704	1
8 m	771-8982/207-803	771-8982/207-804	1

2

Accessories; for all products on this page



Locking lever; for flying leads; manually operated		
Color	Item No.	PU (SPU)
● black	770-101	100 (25)
○ white	770-121	100 (25)



Locking lever; for flying leads; tool operated		
Color	Item No.	PU (SPU)
● black	770-111	100 (25)
○ white	770-131	100 (25)

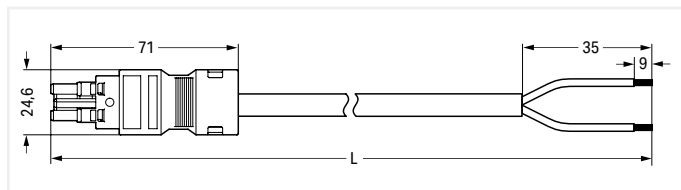
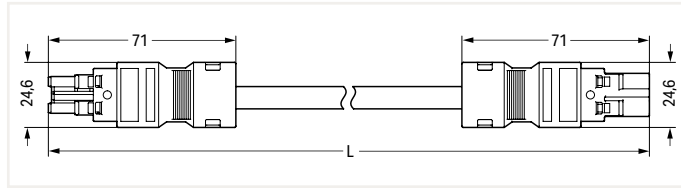


Mounting carrier; for flying leads; 2- to 5-pole		
Color	Item No.	PU
● black	770-310	25

PU = Packaging Unit; SPU = Subpackaging Unit; Dimensions in mm

Cable Assembly ▶ WINSTA® MIDI ▶ 771 Series

Pole No.: 2 ▶ Protection type: IP20 ▶ Fire class per EN 50575: E_{ca} ▶ Coding: L ▶ 2.5 mm² ▶ Marking: L' N' ▶ Halogen-free ▶ Sheathed cable diameter: 8.4 ... 10.6 mm ▶ H05Z1Z1-F 2x2.5 ▶ Emergency power supply



Interconnecting cable ▶ Socket - Plug

Total length	Connector color/Strain relief color		PU
	dark gray/black	dark gray/white	
1 m	771-8982/017-103	771-8982/017-104	1
2 m	771-8982/017-203	771-8982/017-204	1
3 m	771-8982/017-303	771-8982/017-304	1
4 m	771-8982/017-403	771-8982/017-404	1
5 m	771-8982/017-503	771-8982/017-504	1
6 m	771-8982/017-603	771-8982/017-604	1
7 m	771-8982/017-703	771-8982/017-704	1
8 m	771-8982/017-803	771-8982/017-804	1

Connecting cable ▶ Socket - Free end ▶ Strip length (outer insulation): 35 mm

Total length	Connector color/Strain relief color		PU
	dark gray/black	dark gray/white	
1 m	771-8982/117-103	771-8982/117-104	1
2 m	771-8982/117-203	771-8982/117-204	1
3 m	771-8982/117-303	771-8982/117-304	1
4 m	771-8982/117-403	771-8982/117-404	1
5 m	771-8982/117-503	771-8982/117-504	1
6 m	771-8982/117-603	771-8982/117-604	1
7 m	771-8982/117-703	771-8982/117-704	1
8 m	771-8982/117-803	771-8982/117-804	1

Connecting cable ▶ Plug - Free end ▶ Strip length (outer insulation): 35 mm

Total length	Connector color/Strain relief color		PU
	dark gray/black	dark gray/white	
1 m	771-8982/217-103	771-8982/217-104	1
2 m	771-8982/217-203	771-8982/217-204	1
3 m	771-8982/217-303	771-8982/217-304	1
4 m	771-8982/217-403	771-8982/217-404	1
5 m	771-8982/217-503	771-8982/217-504	1
6 m	771-8982/217-603	771-8982/217-604	1
7 m	771-8982/217-703	771-8982/217-704	1
8 m	771-8982/217-803	771-8982/217-804	1

Accessories; for all products on this page



Locking lever; for flying leads; manually operated		
Color	Item No.	PU (SPU)
● black	770-101	100 (25)
○ white	770-121	100 (25)



Locking lever; for flying leads; tool operated		
Color	Item No.	PU (SPU)
● black	770-111	100 (25)
○ white	770-131	100 (25)



Mounting carrier; for flying leads; 2- to 5-pole		
Color	Item No.	PU
● black	770-310	25

PU = Packaging Unit; SPU = Subpackaging Unit; Dimensions in mm

Pluggable Connector ▶ WINSTA® MIDI ▶ 770 Series

Pole No.: 3 ▶ Number of connection points: 2



- Protected against mismatching and maintenance-free
- Push-in CAGE CLAMP® spring pressure connection technology allows solid conductors to be simply pushed into a unit.
- Two wire connections per pole for loops or bridges
- Additional variable coding is possible.

Electrical Data			
Coding	A;B;P;R;S		
Ratings per	IEC/EN 60664-1		
Overvoltage category	III	III	II
Pollution degree	3	2	2
Rated voltage	250 V	-	-
Rated impulse voltage	4 kV	-	-
Rated current	25 A	-	-
Approbations per	UL 1977		
Rated voltage	600 V		
Rated current	23 A		

Connection Data	
Connection technology	Push-in CAGE CLAMP®
Strip length	9 mm / 0.35 inch
Nominal cross-section	4 mm ²
Solid conductor	0.5 ... 4 mm ² / 20 ... 12 AWG
Solid conductor; push-in termination	1.5 ... 4 mm ² / 16 ... 12 AWG
Stranded conductor	0.5 ... 2.5 mm ² / 20 ... 14 AWG
Fine-stranded conductor	0.5 ... 4 mm ² / 20 ... 12 AWG
Fine-stranded conductor; with insulated ferrule	0.25 ... 1.5 mm ² / 20 ... 16 AWG
Fine-stranded conductor; with uninsulated ferrule	0.25 ... 2.5 mm ² / 20 ... 14 AWG
Fine-stranded conductor; with ferrule; push-in termination	1.5 mm ² / 16 AWG

Material Data	
Insulation material	Polyamide (PA66)
Clamping spring material	Chrome nickel spring steel (CrNi)
Contact material	Copper or copper alloy (surface-treated)

Mechanical Data	
Number of mating cycles	200, without resistive load
Mating force of a plug-in connection	approx. 20 ... 70 N (depending on pole number)
Unmating force of a plug-in connection	Unlocked: approx. 20 ... 70 N (depending on pole number)
Retention force of a plug-in connection	Locked: > 80 N

Environmental Requirements	
Processing temperature	-5 ... +40 °C
Continuous operating temperature	-35 ... +85 °C
Note on continuous operating temperature	Insulating parts for temperatures ≤ 105 °C

All WINSTA® components are 100% protected against mismatching when:

- plugging different numbers of poles
- plugging while rotated 180
- plugging while laterally staggered
- plugging one pole

Coding	Page 379
Cover	Page 380
Marking	Page 405
Shield termination	Page 383
Strain relief	Page 384
Tool	Page 400
See technical section for further information	
For approvals and corresponding ratings, visit www.wago.com	

Pluggable Connector ▶ WINSTA® MIDI ▶ 770 Series

Pole No.: 3 ▶ Number of connection points: 2

Strain relief house, for quick assembly ▶ Female connector/socket ▶ Strip length (outer insulation): 48 mm ▶ Connectable sheathed cable diameter : 7 ... 11.5 mm

Strain relief house, for quick assembly ▶ Male connector/plug ▶ Strip length (outer insulation): 48 mm ▶ Connectable sheathed cable diameter : 7 ... 11.5 mm



770-203/035-000



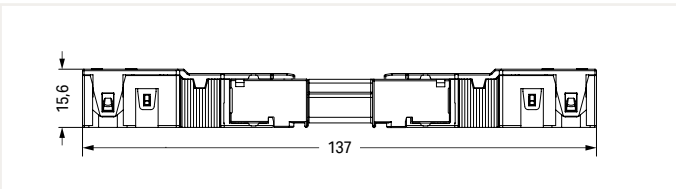
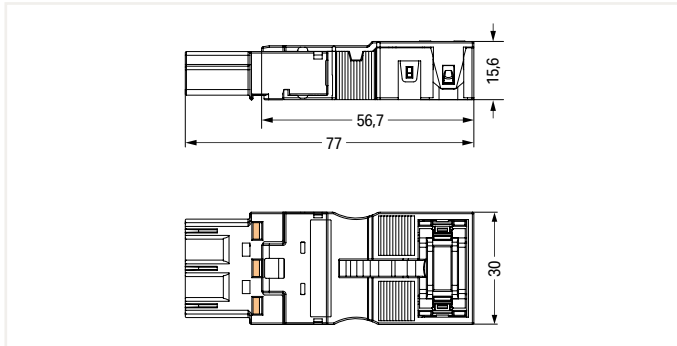
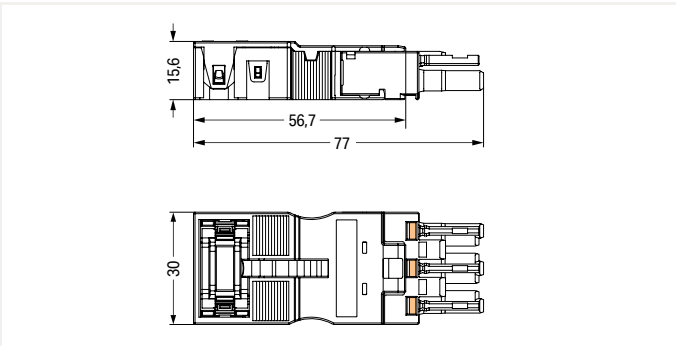
770-213/035-000

General mains applications

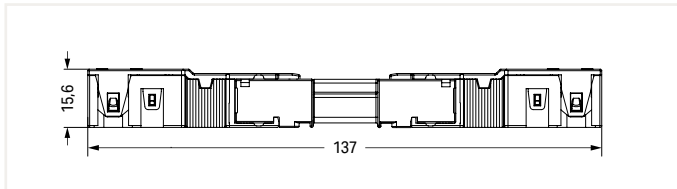
Color	Coding	Marking	Item No.	PU
● black	A	L ⊕ N	770-203/035-000	25
○ white	A	L ⊕ N	770-223/035-050	25

General mains applications

Color	Coding	Marking	Item No.	PU
● black	A	L ⊕ N	770-213/035-000	25
○ white	A	L ⊕ N	770-233/035-050	25



Overall length when mated



Overall length when mated

Item-Specific Accessories



Lockout cap; for socket; separable; Pole No.: 12

Color	Item No.	PU
● black	770-201	100
○ white	770-221	100



Lockout cap; for plugs; separable; Pole No.: 5

Color	Item No.	PU
● yellow	770-360	100

Accessories; for all products on this page



Color	Item No.	PU (SPU)
● black	770-101	100 (25)
○ white	770-121	100 (25)



Color	Item No.	PU (SPU)
● black	770-111	100 (25)
○ white	770-131	100 (25)



Color	Item No.	PU (SPU)
● green	770-383	50 (1)

PU = Packaging Unit; SPU = Subpackaging Unit; Dimensions in mm

Pluggable Connector ▶ WINSTA® MIDI ▶ 770 Series

Pole No.: 3 ▶ Number of connection points: 2

Strain relief housing ▶ Female connector/socket ▶ Strip length (outer insulation): 55 mm ▶ Connectable sheathed cable diameter : 8 ... 11.5 mm ▶ Protection type: IP 2xC

Strain relief housing ▶ Male connector/plug ▶ Strip length (outer insulation): 55 mm ▶ Connectable sheathed cable diameter : 8 ... 11.5 mm ▶ Protection type: IP20



770-103



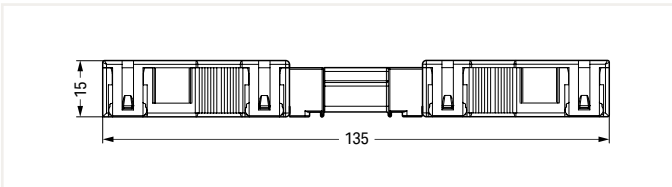
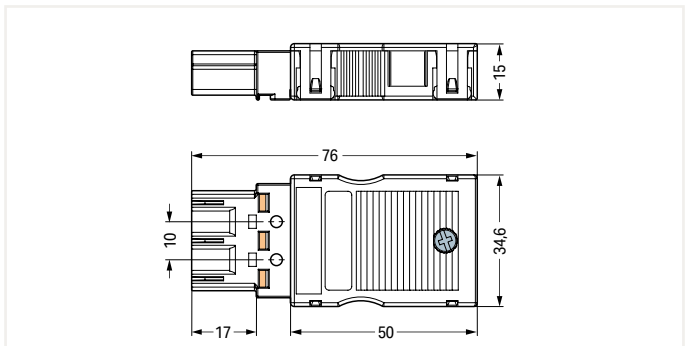
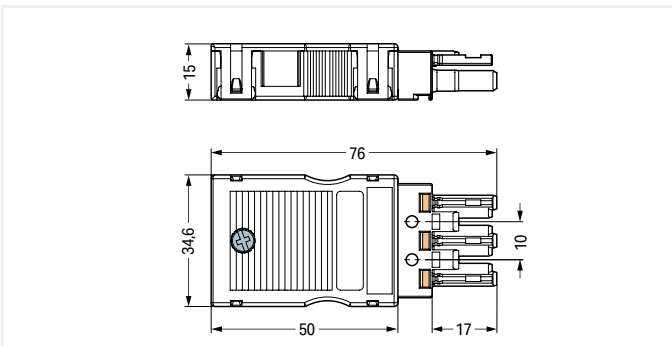
770-113

General mains applications

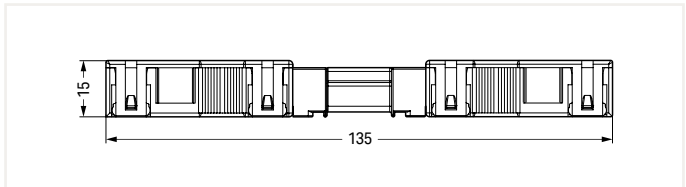
Color	Coding	Marking	Item No.	PU
● black	A	L ⊕ N	770-103	25
○ white	A	L ⊕ N	770-123	25

General mains applications

Color	Coding	Marking	Item No.	PU
● black	A	L ⊕ N	770-113	25
○ white	A	L ⊕ N	770-133	25



Overall length when mated



Overall length when mated

Item-Specific Accessories



Lockout cap; for socket; separable; Pole No.: 12

Color	Item No.	PU
● black	770-201	100
○ white	770-221	100



Lockout cap; for plugs; separable; Pole No.: 5

Color	Item No.	PU
● yellow	770-360	100

Accessories; for all products on this page



Color	Item No.	PU (SPU)
● black	770-101	100 (25)
○ white	770-121	100 (25)



Color	Item No.	PU (SPU)
● black	770-111	100 (25)
○ white	770-131	100 (25)



Color	Item No.	PU (SPU)
● green	770-383	50 (1)

PU = Packaging Unit; SPU = Subpackaging Unit; Dimensions in mm

Pluggable Connector ▶ WINSTA® MIDI ▶ 770 Series

Pole No.: 3 ▶ Number of connection points: 2

Female connector/socket ▶ Protection type: IP20



770-203

General mains applications

Color	Coding	Marking	Item No.	PU
● black	A	L ⊕ N	770-203	100
○ white	A	L ⊕ N	770-223	100

Measurement and regulation technology

Color	Coding	Marking	Item No.	PU
● gray	B	1 2 3	770-243	100
● gray	B	L ⊕ N	770-243/060-000	100
● gray	B	2 ⊕ 1	770-243/062-000	100
● gray	B	1 2 5	770-243/081-000	100
● light green	B	1 2 3	770-263	100
● light green	B	U+ X/Y U-	770-263/071-000	100
● light green	B	1 ⊕ 2	770-263/073-000	100
● pink	B	1 2 3	770-283	100
● pink	B	1 2 5	770-283/081-000	100
● pink	B	+ S -	770-283/082-000	100

EDV (UPS)

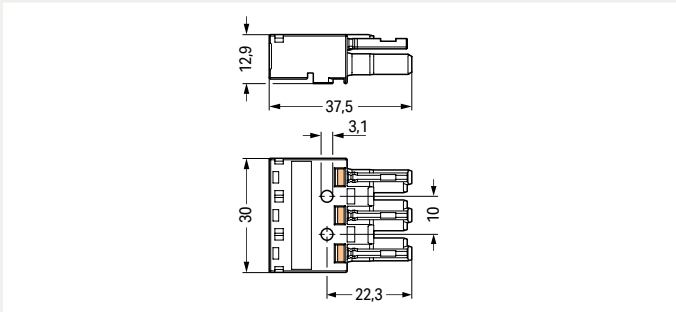
Color	Coding	Marking	Item No.	PU
● red	P	L ⊕ N	770-1303	100

LON bus

Color	Coding	Marking	Item No.	PU
● orange	R	LON LON S	770-1343	100

Switching function

Color	Coding	Marking	Item No.	PU
● brown	S	1 2 L	770-1363	100



Accessories; for all products on this page



Locking lever; for flying leads; manually operated

Color	Item No.	PU (SPU)
● black	770-101	100 (25)
○ white	770-121	100 (25)



Locking lever; for flying leads; tool operated

Color	Item No.	PU (SPU)
● black	770-111	100 (25)
○ white	770-131	100 (25)



Lockout cap; for socket; separable; Pole No.: 12

Color	Item No.	PU
● black	770-201	100
○ white	770-221	100



Operating tool; for WAGO WINSTA® MIDI Connectors; Pole No.: 3

Color	Item No.	PU (SPU)
● green	770-383	50 (1)



Strain relief housing; Connectable sheathed cable diameter: 8 ... 11.5 mm; Strip length (outer insulation): 55 mm

Color	Item No.	PU
● black	770-503	50
○ white	770-513	50



Strain relief housing; Connectable sheathed cable diameter: 4.5 ... 8 mm; Strip length (outer insulation): 55 mm

Color	Item No.	PU
● black	770-503/023-000	50
○ white	770-513/023-000	50

PU = Packaging Unit; SPU = Subpackaging Unit; Dimensions in mm

Pluggable Connector ▶ WINSTA® MIDI ▶ 770 Series

Pole No.: 3 ▶ Number of connection points: 2

Male connector/plug ▶ Protection type: IP20



770-213

General mains applications

Color	Coding	Marking	Item No.	PU
● black	A	L ⊕ N	770-213	100
○ white	A	L ⊕ N	770-233	100

EDV (UPS)

Color	Coding	Marking	Item No.	PU
● red	P	L ⊕ N	770-1313	100

Measurement and regulation technology

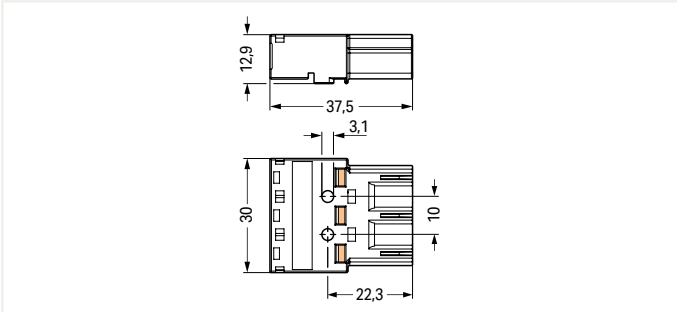
Color	Coding	Marking	Item No.	PU
● gray	B	1 2 3	770-253	100
● gray	B	L ⊕ N	770-253/060-000	100
● gray	B	2 ⊕ 1	770-253/062-000	100
● gray	B	1 2 5	770-253/081-000	100
● light green	B	1 2 3	770-273	100
● light green	B	U+ X/Y U-	770-273/071-000	100
● light green	B	1 ⊕ 2	770-273/073-000	100
● pink	B	1 2 3	770-293	100
● pink	B	1 2 5	770-293/081-000	100
● pink	B	+ S -	770-293/082-000	100

LON bus

Color	Coding	Marking	Item No.	PU
● orange	R	LON LON S	770-1353	100

Switching function

Color	Coding	Marking	Item No.	PU
● brown	S	1 2 L	770-1373	100



Accessories; for all products on this page



Locking lever; for flying leads; manually operated		
Color	Item No.	PU (SPU)
● black	770-101	100 (25)
○ white	770-121	100 (25)



Locking lever; for flying leads; tool operated		
Color	Item No.	PU (SPU)
● black	770-111	100 (25)
○ white	770-131	100 (25)



Lockout cap; for plugs; separable; Pole No.: 5		
Color	Item No.	PU
● yellow	770-360	100



Operating tool; for WAGO WINSTA® MIDI Connectors; Pole No.: 3		
Color	Item No.	PU (SPU)
● green	770-383	50 (1)



Strain relief housing; Connectable sheathed cable diameter: 8 ... 11.5 mm; Strip length (outer insulation): 55 mm		
Color	Item No.	PU
● black	770-503	50
○ white	770-513	50



Strain relief housing; Connectable sheathed cable diameter: 4.5 ... 8 mm; Strip length (outer insulation): 55 mm		
Color	Item No.	PU
● black	770-503/023-000	50
○ white	770-513/023-000	50

PU = Packaging Unit; SPU = Subpackaging Unit; Dimensions in mm

Pluggable Connector ▶ WINSTA® MIDI ▶ 770 Series

Pole No.: 3 ▶ Number of connection points: 2

with direct ground contact ▶ Male connector/plug ▶ Protection type: IP20

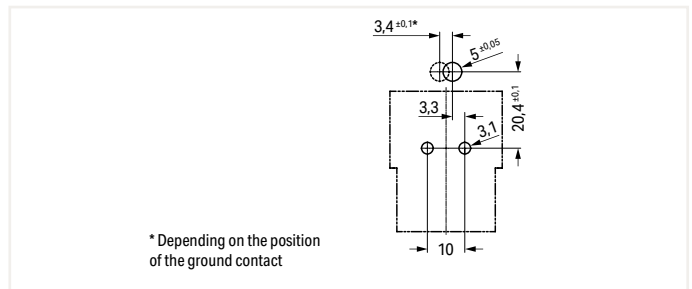
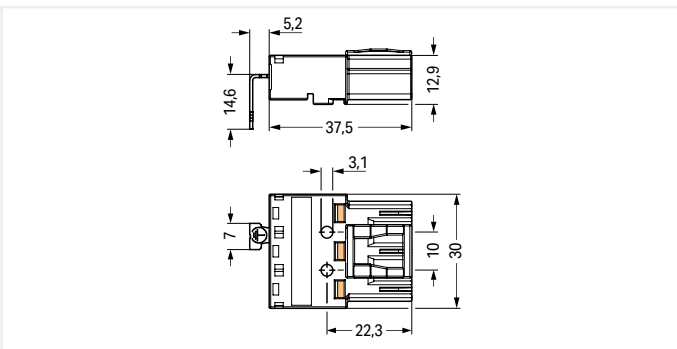


770-213/002-000

2

General mains applications

Color	Coding	Marking	Item No.	PU
● black	A	L ⊕ N	770-213/002-000	100
○ white	A	L ⊕ N	770-233/002-000	100



Accessories; for all products on this page



Locking lever; for flying leads; manually operated			
Color	Item No.	PU (SPU)	
● black	770-101	100 (25)	
○ white	770-121	100 (25)	



Locking lever; for flying leads; tool operated			
Color	Item No.	PU (SPU)	
● black	770-111	100 (25)	
○ white	770-131	100 (25)	



Lockout cap; for plugs; separable; Pole No.: 5			
Color	Item No.	PU	
● yellow	770-360	100	

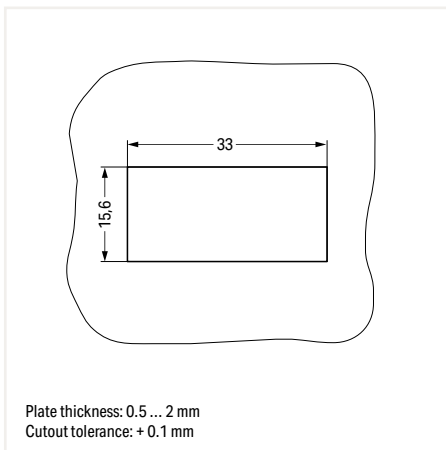
PU = Packaging Unit; SPU = Subpackaging Unit; Dimensions in mm

Snap-in Device Connector ▶ WINSTA® MIDI ▶ 770 Series

Pole No.: 3 ▶ Number of connection points: 2 ▶ Protection type: IP20



- Protected against mismatching and maintenance-free
- Push-in CAGE CLAMP® spring pressure connection technology allows solid conductors to be simply pushed into a unit.
- Two wire connections per pole for loops or bridges
- Additional variable coding is possible.



Electrical Data			
Coding	A;B;P;R;S		
Ratings per	IEC/EN 60664-1		
Overvoltage category	III	III	II
Pollution degree	3	2	2
Rated voltage	250 V	-	-
Rated impulse voltage	4 kV	-	-
Rated current	25 A	-	-
Approbations per	UL 1977		
Rated voltage	600 V		
Rated current	23 A		

Connection Data	
Connection technology	Push-in CAGE CLAMP®
Strip length	9 mm / 0.35 inch
Nominal cross-section	4 mm ²
Solid conductor	0.5 ... 4 mm ² / 20 ... 12 AWG
Solid conductor; push-in termination	1.5 ... 4 mm ² / 16 ... 12 AWG
Stranded conductor	0.5 ... 2.5 mm ² / 20 ... 14 AWG
Fine-stranded conductor	0.5 ... 4 mm ² / 20 ... 12 AWG
Fine-stranded conductor; with insulated ferrule	0.25 ... 1.5 mm ² / 20 ... 16 AWG
Fine-stranded conductor; with uninsulated ferrule	0.25 ... 2.5 mm ² / 20 ... 14 AWG
Fine-stranded conductor; with ferrule; push-in termination	1.5 mm ² / 16 AWG

Material Data	
Insulation material	Polyamide (PA66)
Clamping spring material	Chrome nickel spring steel (CrNi)
Contact material	Copper or copper alloy (surface-treated)

Mechanical Data	
Number of mating cycles	200, without resistive load
Mating force of a plug-in connection	approx. 20 ... 70 N (depending on pole number)
Unmating force of a plug-in connection	Unlocked: approx. 20 ... 70 N (depending on pole number)
Retention force of a plug-in connection	Locked: > 80 N
Protection type	IP20
Note on protection type	When mated: IP2xC (These compact connectors are not designed for use in open, easily accessible areas!)

Environmental Requirements	
Processing temperature	-5 ... +40 °C
Continuous operating temperature	-35 ... +85 °C
Note on continuous operating temperature	Insulating parts for temperatures ≤ 105 °C

All WINSTA® components are 100% protected against mismatching when:

- plugging different numbers of poles
- plugging while rotated 180
- plugging while laterally staggered
- plugging one pole

Coding Page 379

Locking system Page 379

Tool Page 400

See technical section for further information

For approvals and corresponding ratings, visit www.wago.com

Snap-in Device Connector ▶ WINSTA® MIDI ▶ 770 Series

Pole No.: 3 ▶ Number of connection points: 2 ▶ Protection type: IP20

Female connector/socket



770-703

General mains applications

Color	Coding	Marking	Item No.	PU
● black	A	L ⊕ N	770-703	100
○ white	A	L ⊕ N	770-723	100

Switching function

Color	Coding	Marking	Item No.	PU
● brown	S	1 2 L	770-2363	100

Measurement and regulation technology

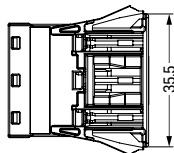
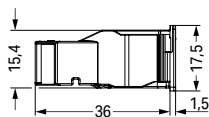
Color	Coding	Marking	Item No.	PU
● gray	B	1 2 3	770-743	100
● gray	B	L ⊕ N	770-743/060-000	100
● gray	B	2 ⊕ 1	770-743/062-000	100
● light green	B	1 2 3	770-763	100
● light green	B	U+ X/Y U-	770-763/071-000	100
● light green	B	1 ⊕ 2	770-763/073-000	100
● pink	B	I+ I-	770-783/081-000	100
● pink	B	1 2 3	770-783	100
● pink	B	+ S -	770-783/082-000	100

EDV (UPS)

Color	Coding	Marking	Item No.	PU
● red	P	L ⊕ N	770-2303	100

LON bus

Color	Coding	Marking	Item No.	PU
● orange	R	LON LON S	770-2343	100



Accessories; for all products on this page



Lockout cap; for socket; separable; Pole No.: 12

Color	Item No.	PU
● black	770-201	100
○ white	770-221	100



Operating tool; for WAGO WINSTA® MIDI Connectors; Pole No.: 3

Color	Item No.	PU (SPU)
● green	770-383	50 (1)



Lockout cap; for cutout; Pole No.: 3

Color	Item No.	PU
● black	770-643	100
○ white	770-693	100

PU = Packaging Unit; SPU = Subpackaging Unit; Dimensions in mm

Snap-in Device Connector ▶ WINSTA® MIDI ▶ 770 Series

Pole No.: 3 ▶ Number of connection points: 2 ▶ Protection type: IP20

Male connector/plug



770-713

General mains applications

Color	Coding	Marking	Item No.	PU
● black	A	L ⊕ N	770-713	100
○ white	A	L ⊕ N	770-733	100

Measurement and regulation technology

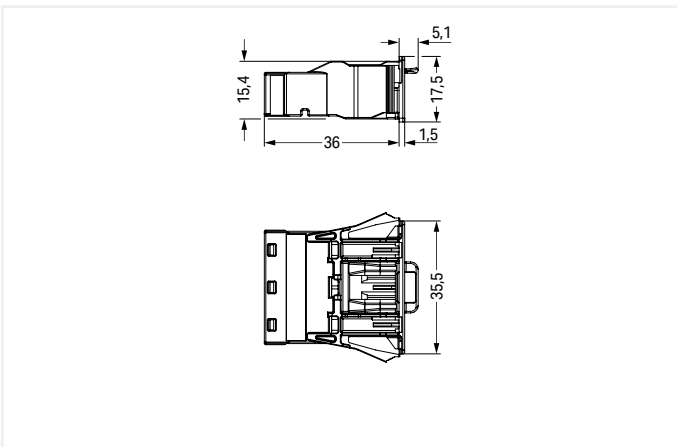
Color	Coding	Marking	Item No.	PU
● gray	B	1 2 3	770-753	100
● gray	B	L ⊕ N	770-753/060-000	100
● gray	B	2 ⊕ 1	770-753/062-000	100
● light green	B	1 2 3	770-773	100
● light green	B	U+ X/Y U-	770-773/071-000	100
● light green	B	1 ⊕ 2	770-773/073-000	100
● pink	B	I+ I-	770-793/081-000	100
● pink	B	1 2 3	770-793	100
● pink	B	+ S -	770-793/082-000	100

EDV (UPS)

Color	Coding	Marking	Item No.	PU
● red	P	L ⊕ N	770-2313	100

LON bus

Color	Coding	Marking	Item No.	PU
● orange	R	LON LON S	770-2353	100



Accessories; for all products on this page



Lockout cap; for plugs; separable; Pole No.: 5		
Color	Item No.	PU
● yellow	770-360	100



Operating tool; for WAGO WINSTA® MIDI Connectors; Pole No.: 3		
Color	Item No.	PU (SPU)
● green	770-383	50(1)



Lockout cap; for cutout; Pole No.: 3		
Color	Item No.	PU
● black	770-643	100
○ white	770-693	100

PU = Packaging Unit; SPU = Subpackaging Unit; Dimensions in mm

Snap-in Device Connector ▶ WINSTA® MIDI ▶ 770 Series

Pole No.: 3 ▶ Number of connection points: 2 ▶ Protection type: IP20

with protruding interface ▶ Female connector/socket

with direct ground contact ▶ Male connector/plug



770-703/009-000



770-713/007-000

General mains applications

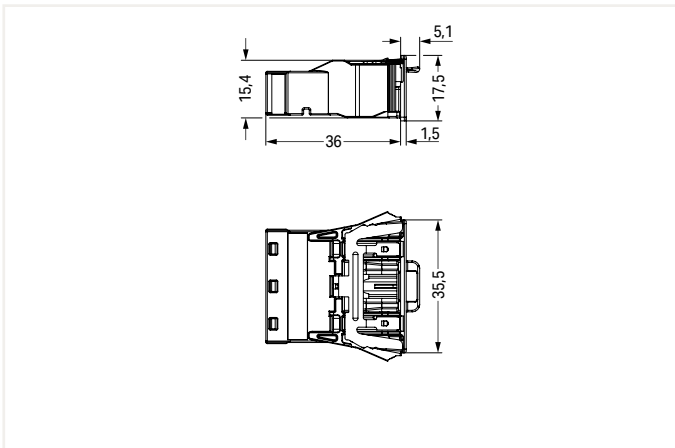
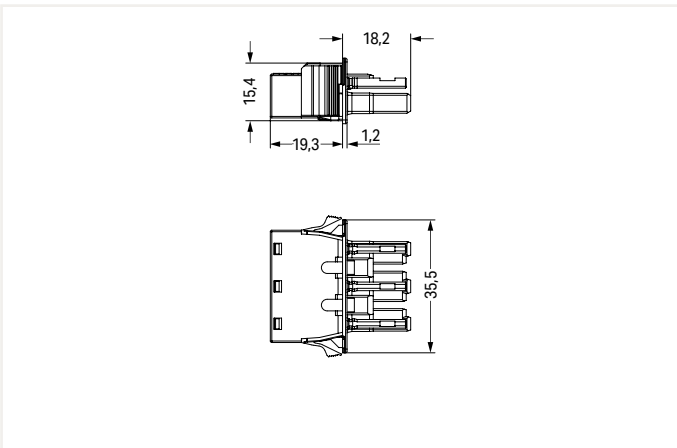
Color	Coding	Marking	Item No.	PU
● black	A	L ⊕ N	770-703/009-000	100
○ white	A	L ⊕ N	770-723/009-000	100

General mains applications

Color	Coding	Marking	Item No.	PU
● black	A	L ⊕ N	770-713/007-000	100
○ white	A	L ⊕ N	770-733/007-000	100

EDV (UPS)

Color	Coding	Marking	Item No.	PU
● red	P	L ⊕ N	770-2313/007-000	100



Item-Specific Accessories



Lockout cap; for socket; separable; Pole No.: 12

Color	Item No.	PU
● black	770-201	100
○ white	770-221	100

Item-Specific Accessories



Lockout cap; for plugs; separable; Pole No.: 5

Color	Item No.	PU
● yellow	770-360	100

Accessories; for all products on this page



Operating tool; for WAGO WINSTA® MIDI Connectors; Pole No.: 3

Color	Item No.	PU (SPU)
● green	770-383	50 (1)



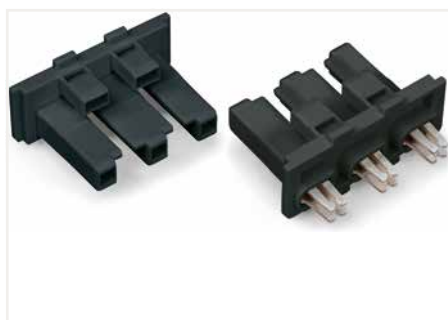
Lockout cap; for cutout; Pole No.: 3

Color	Item No.	PU
● black	770-643	100
○ white	770-693	100

PU = Packaging Unit; SPU = Subpackaging Unit; Dimensions in mm

Pluggable Connector ▶ WINSTA® MIDI ▶ 770 Series

Pole No.: 3 ▶ Protection type: IP20



- Protected against mismatching and maintenance-free
- Push-in CAGE CLAMP® spring pressure connection technology allows solid conductors to be simply pushed into a unit.
- Two wire connections per pole for loops or bridges
- Additional variable coding is possible.

Electrical Data			
Coding	A		
Ratings per	IEC/EN 60664-1		
Overvoltage category	III	III	II
Pollution degree	3	2	2
Rated voltage	250 V	-	-
Rated impulse voltage	4 kV	-	-
Rated current	25 A	-	-
Approbations per	UL 1977		
Rated voltage	600 V		
Rated current	23 A		

Material Data	
Insulation material	Polyamide (PA66)
Clamping spring material	Chrome nickel spring steel (CrNi)
Contact material	Copper or copper alloy (surface-treated)

Mechanical Data	
Number of mating cycles	200, without resistive load
Mating force of a plug-in connection	approx. 20 ... 70 N (depending on pole number)
Unmating force of a plug-in connection	Unlocked: approx. 20 ... 70 N (depending on pole number)
Retention force of a plug-in connection	Locked: > 80 N
Protection type	IP20

Environmental Requirements	
Processing temperature	-5 ... +40 °C
Continuous operating temperature	-35 ... +85 °C
Note on continuous operating temperature	Insulating parts for temperatures ≤ 105 °C

All WINSTA® components are 100% protected against mismatching when:

- a.) plugging different numbers of poles
- b.) plugging while rotated 180
- c.) plugging while laterally staggered
- d.) plugging one pole

Application note for the U.S. market (USR): Some versions may also be used for current interruption in accordance with the UL certificate in select applications with currents below 16 A and voltages up to 600 V. For further information, please contact your local sales office.

See technical section for further information

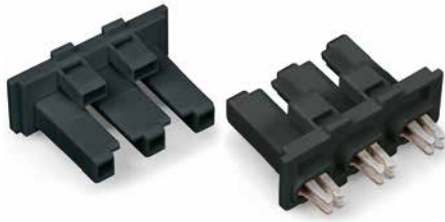
For approvals and corresponding ratings, visit www.wago.com

Pluggable Connector ▶ WINSTA® MIDI ▶ 770 Series

Pole No.: 3 ▶ Protection type: IP20

Female connector/socket

Male connector/plug



770-408



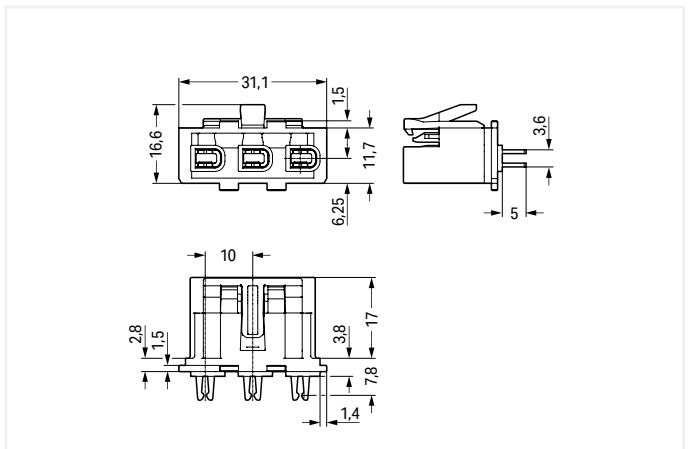
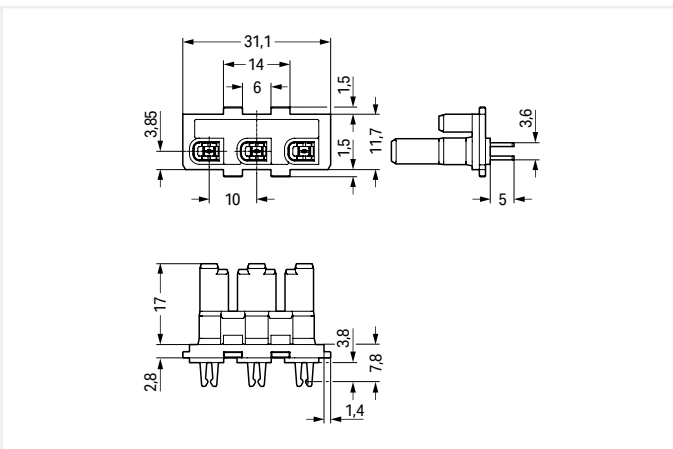
770-418

General mains applications

Color	Coding	Marking	Item No.	PU
● black	A	plain	770-408	100
○ white	A	plain	770-428	100

General mains applications

Color	Coding	Marking	Item No.	PU
● black	A	plain	770-418	100
○ white	A	plain	770-438	100



Item-Specific Accessories



Lockout cap; for socket; separable; Pole No.: 12

Color	Item No.	PU
● black	770-201	100
○ white	770-221	100

Item-Specific Accessories



Lockout cap; for plugs; separable; Pole No.: 5

Color	Item No.	PU
● yellow	770-360	100

Pluggable PCB Connector ▶ WINSTA® MIDI ▶ 770 Series

Pole No.: 3



- Protected against mismatching and maintenance-free
- Push-in CAGE CLAMP® spring pressure connection technology allows solid conductors to be simply pushed into a unit.
- Two wire connections per pole for loops or bridges
- Additional variable coding is possible.

Electrical Data			
Coding	A;B		
Ratings per	IEC/EN 60664-1		
Overvoltage category	III	III	II
Pollution degree	3	2	2
Rated voltage	250 V	-	-
Rated impulse voltage	4 kV	-	-
Rated current	25 A	-	-
Approbations per	UL 1977		
Rated voltage	600 V		
Rated current	23 A		

Material Data	
Insulation material	Polyamide (PA66)
Clamping spring material	Chrome nickel spring steel (CrNi)
Contact material	Copper or copper alloy (surface-treated)

Mechanical Data	
Solder pin arrangement	2 in-line solder pins/pole
Solder pin length	3.5 mm
Solder pin dimensions	1 x 0.8 mm
Drilled hole diameter with tolerance	1.5 ^(+0.1...+0.1) mm
Number of mating cycles	200, without resistive load
Mating force of a plug-in connection	approx. 20 ... 70 N (depending on pole number)
Unmating force of a plug-in connection	Unlocked: approx. 20 ... 70 N (depending on pole number)
Retention force of a plug-in connection	Locked: > 80 N

Environmental Requirements	
Processing temperature	-5 ... +40 °C
Continuous operating temperature	-35 ... +85 °C
Note on continuous operating temperature	Insulating parts for temperatures ≤ 105 °C

All WINSTA® components are 100% protected against mismatching when:

- plugging different numbers of poles
- plugging while rotated 180
- plugging while laterally staggered
- plugging one pole

Coding Page 379

See technical section for further information

For approvals and corresponding ratings, visit www.wago.com

Pluggable PCB Connector ▶ WINSTA® MIDI ▶ 770 Series

Pole No.: 3

straight ▶ Female connector/socket



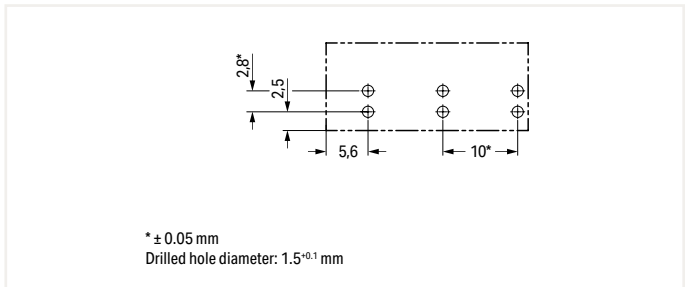
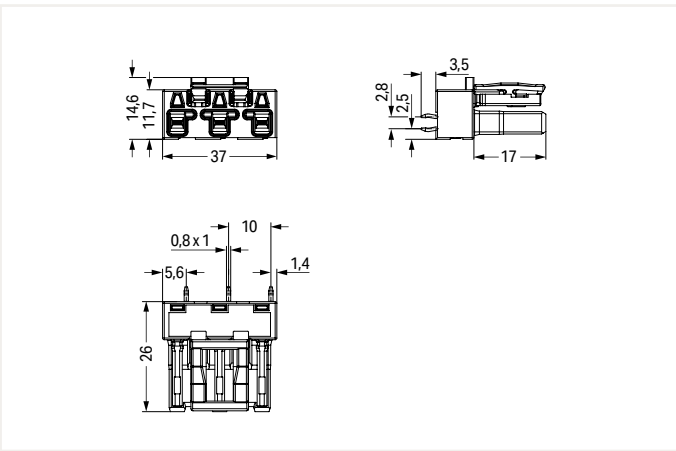
770-803

General mains applications

Color	Coding	Marking	Item No.	PU
● black	A	L ⊕ N	770-803	100
○ white	A	L ⊕ N	770-823	100

Measurement and regulation technology

Color	Coding	Marking	Item No.	PU
● gray	B	1 2 3	770-843	100
● gray	B	L ⊕ N	770-843/060-000	100
● gray	B	2 ⊕ 1	770-843/062-000	100
● light green	B	1 2 3	770-863	100
● light green	B	U+ X/Y U-	770-863/071-000	100
● light green	B	1 ⊕ 2	770-863/073-000	100
● pink	B	1 2 3	770-883	100
● pink	B	1 2 5	770-883/081-000	100
● pink	B	+ S -	770-883/082-000	100



Accessories; for all products on this page



Lockout cap; for socket; separable; Pole No.: 12

Color	Item No.	PU
● black	770-201	100
○ white	770-221	100

PU = Packaging Unit; SPU = Subpackaging Unit; Dimensions in mm

Pluggable PCB Connector ▶ WINSTA® MIDI ▶ 770 Series

Pole No.: 3

straight ▶ Male connector/plug



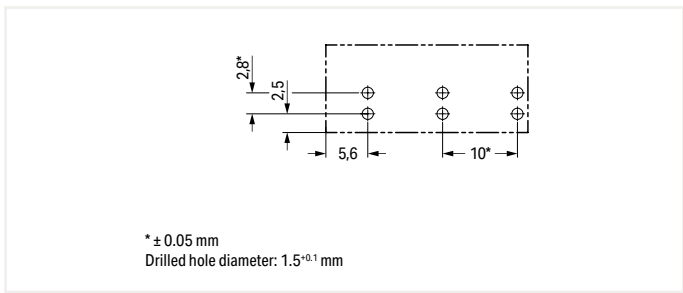
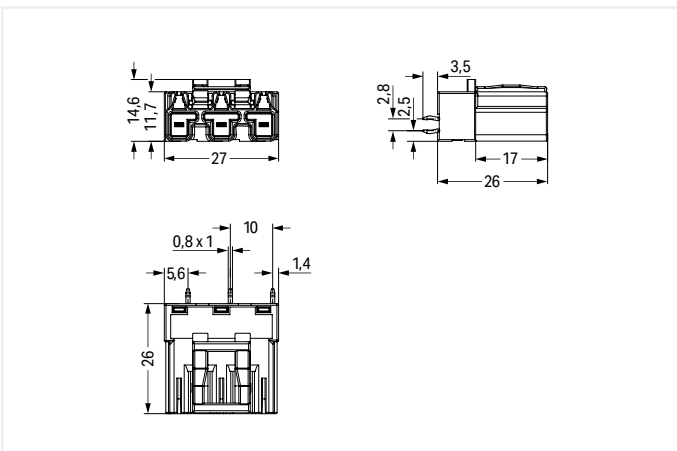
770-813

General mains applications

Color	Coding	Marking	Item No.	PU
● black	A	L ⊕ N	770-813	100
○ white	A	L ⊕ N	770-833	100

Measurement and regulation technology

Color	Coding	Marking	Item No.	PU
● gray	B	1 2 3	770-853	100
● gray	B	L ⊕ N	770-853/060-000	100
● gray	B	2 ⊕ 1	770-853/062-000	100
● light green	B	1 2 3	770-873	100
● light green	B	U+ X/Y U-	770-873/071-000	100
● light green	B	1 ⊕ 2	770-873/073-000	100
● pink	B	1 2 3	770-893	100
● pink	B	1 2 5	770-893/081-000	100
● pink	B	+ S -	770-893/082-000	100



Accessories; for all products on this page



Lockout cap; for plugs; separable; Pole No.: 5

Color	Item No.	PU
● yellow	770-360	100

PU = Packaging Unit; SPU = Subpackaging Unit; Dimensions in mm

Pluggable PCB Connector ▶ WINSTA® MIDI ▶ 770 Series

Pole No.: 3

angled ▶ Female connector/socket



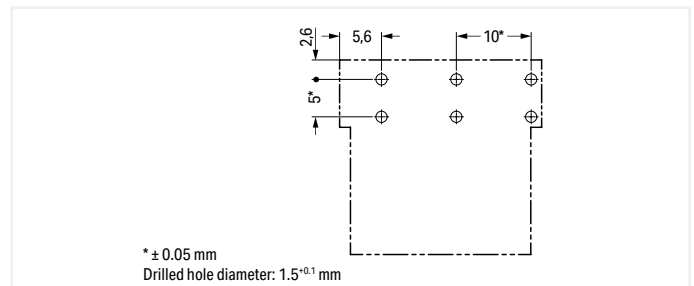
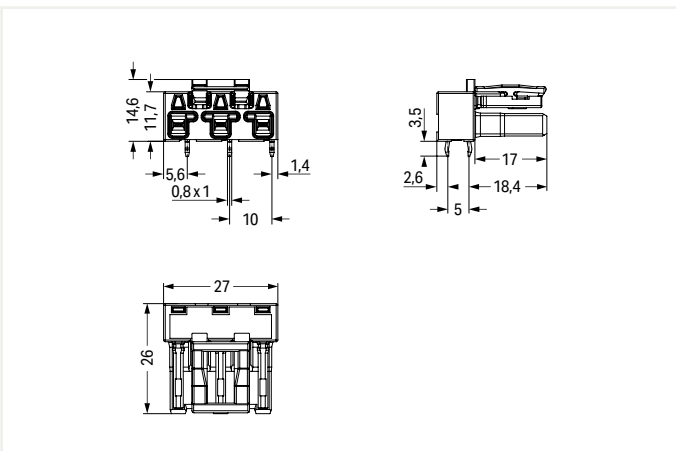
770-803/011-000

General mains applications

Color	Coding	Marking	Item No.	PU
● black	A	L ⊕ N	770-803/011-000	100
○ white	A	L ⊕ N	770-823/011-000	100

Measurement and regulation technology

Color	Coding	Marking	Item No.	PU
● gray	B	1 2 3	770-843/011-000	100
● gray	B	L ⊕ N	770-843/011-000/060-000	100
● gray	B	2 ⊕ 1	770-843/011-000/062-000	100
● light green	B	1 2 3	770-863/011-000	100
● light green	B	U+ X/Y U-	770-863/011-000/071-000	100
● light green	B	1 ⊕ 2	770-863/011-000/073-000	100
● pink	B	1 2 3	770-883/011-000	100
● pink	B	1 2 5	770-883/011-000/081-000	100
● pink	B	+ S -	770-883/011-000/082-000	100



Accessories; for all products on this page



Lockout cap; for socket; separable; Pole No.: 12

Color	Item No.	PU
● black	770-201	100
○ white	770-221	100

PU = Packaging Unit; SPU = Subpackaging Unit; Dimensions in mm

Pluggable PCB Connector ▶ WINSTA® MIDI ▶ 770 Series

Pole No.: 3

angled ▶ Male connector/plug



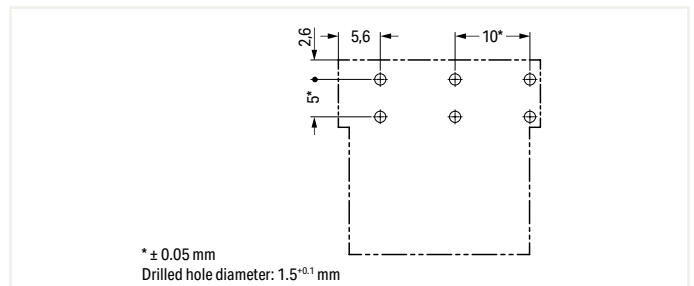
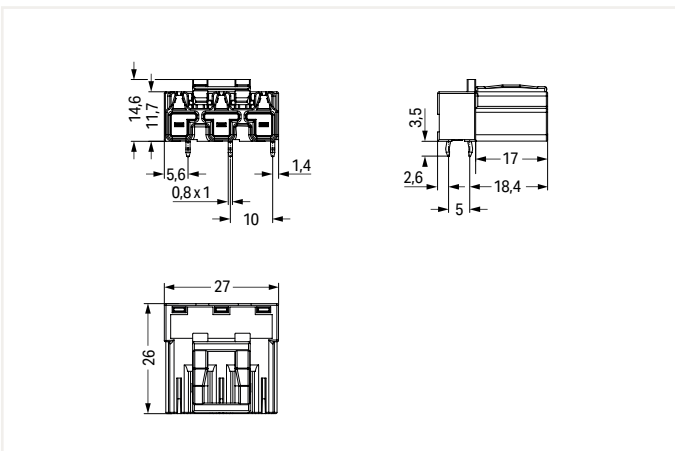
770-813/011-000

General mains applications

Color	Coding	Marking	Item No.	PU
● black	A	L ⊕ N	770-813/011-000	100
○ white	A	L ⊕ N	770-833/011-000	100

Measurement and regulation technology

Color	Coding	Marking	Item No.	PU
● gray	B	1 2 3	770-853/011-000	100
● gray	B	L ⊕ N	770-853/011-000/060-000	100
● gray	B	2 ⊕ 1	770-853/011-000/062-000	100
● light green	B	1 2 3	770-873/011-000	100
● light green	B	U+ X/Y U-	770-873/011-000/071-000	100
● light green	B	1 ⊕ 2	770-873/011-000/073-000	100
● pink	B	1 2 3	770-893/011-000	100
● pink	B	1 2 5	770-893/011-000/081-000	100
● pink	B	+ S -	770-893/011-000/082-000	100



Accessories; for all products on this page



Lockout cap; for plugs; separable; Pole No.: 5

Color	Item No.	PU
● yellow	770-360	100

PU = Packaging Unit; SPU = Subpackaging Unit; Dimensions in mm

Distribution Connector ▶ WINSTA® MIDI ▶ 770 Series

Pole No.: 3



- Protected against mismatching and maintenance-free
- Additional variable coding is possible.

Electrical Data			
Coding	A;B;P;R		
Ratings per	IEC/EN 60664-1		
Overvoltage category	III	III	II
Pollution degree	3	2	2
Rated voltage	250 V	-	-
Rated impulse voltage	4 kV	-	-
Rated current	25 A	-	-
Approbations per	UL 1977		
Rated voltage	600 V		
Rated current	23 A		

Material Data	
Insulation material	Polyamide (PA66)
Contact material	Copper or copper alloy (surface-treated)

Mechanical Data	
Number of mating cycles	200, without resistive load
Mating force of a plug-in connection	Approx. 20 ... 70 N (depending on pole number)
Unmating force of a plug-in connection	Unlocked: approx. 20 ... 70 N (depending on pole number)
Retention force of a plug-in connection	When locked: > 80 N
Protection type	IP20
Note on protection type	When mated: IP2xC (These compact connectors are not designed for use in open, easily accessible areas!)

Environmental Requirements	
Processing temperature	-5 ... +40 °C
Continuous operating temperature	-35 ... +85 °C
Note on continuous operating temperature	Insulating parts for temperatures ≤ 105 °C

All WINSTA® components are 100% protected against mismatching when:

- plugging different numbers of poles
- plugging while rotated 180
- plugging while laterally staggered
- plugging one pole

At least one snap-in connector **without** a locking lever is required on one side when connecting two lights directly via intermediate coupler.

Coding Page 379

See technical section for further information

For approvals and corresponding ratings, visit www.wago.com

Distribution Connector ▶ WINSTA® MIDI ▶ 770 Series

Pole No.: 3

Intermediate coupler

Linect® T-connector



770-603



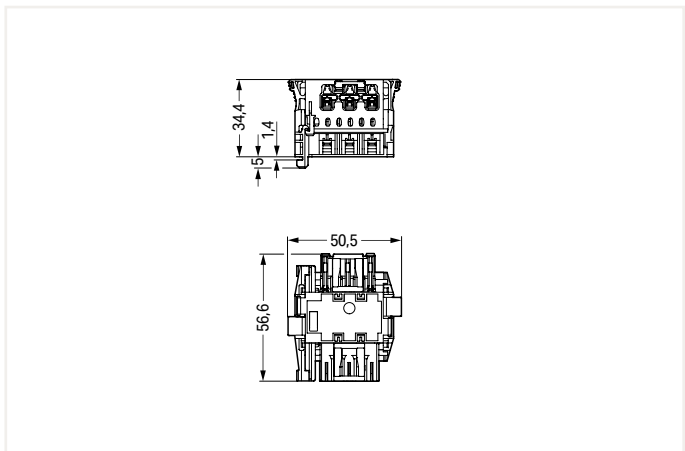
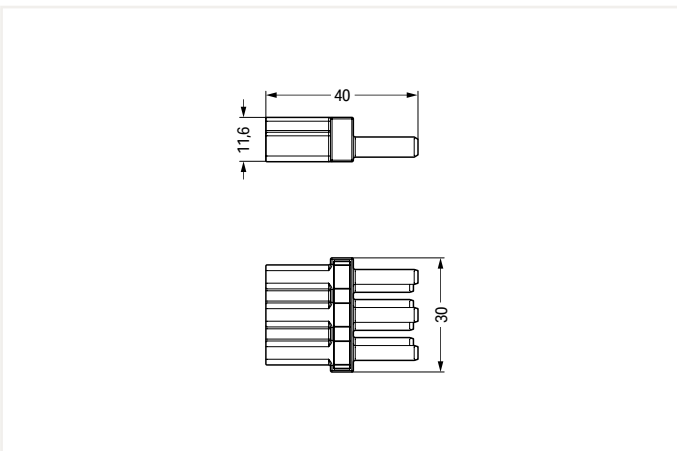
770-6223

General mains applications

Color	Coding	Marking	Item No.	PU
● black	A	plain	770-603	100
○ white	A	plain	770-653	100

General mains applications

Cover Color	Coding	Marking	Item No.	PU
○ white	A	L ⊕ N	770-6223	25



2

Accessories; for all products on this page



Lockout cap; for socket; separable; Pole No.: 12			
Color	Item No.	PU	
● black	770-201	100	
○ white	770-221	100	



Lockout cap; for plugs; separable; Pole No.: 5			
Color	Item No.	PU	
● yellow	770-360	100	

PU = Packaging Unit; SPU = Subpackaging Unit; Dimensions in mm

Distribution Connector ▶ WINSTA® MIDI ▶ 770 Series

Pole No.: 3

T-distribution connector ▶ Number of locking levers: 2

T-distribution connector ▶ for flying leads ▶ Number of locking levers: 3



770-606



770-606

General mains applications

Color	Coding	Marking	Item No.	PU
● black	A	L ⊕ N	770-606	50
○ white	A	L ⊕ N	770-656	50

Measurement and regulation technology

Color	Coding	Marking	Item No.	PU
● gray	B	1 2 3	770-967	50
● light green	B	1 2 3	770-1612	50
● pink	B	1 2 3	770-1613	50

LON bus

Color	Coding	Marking	Item No.	PU
● orange	R	LON LON S	770-667	50

General mains applications

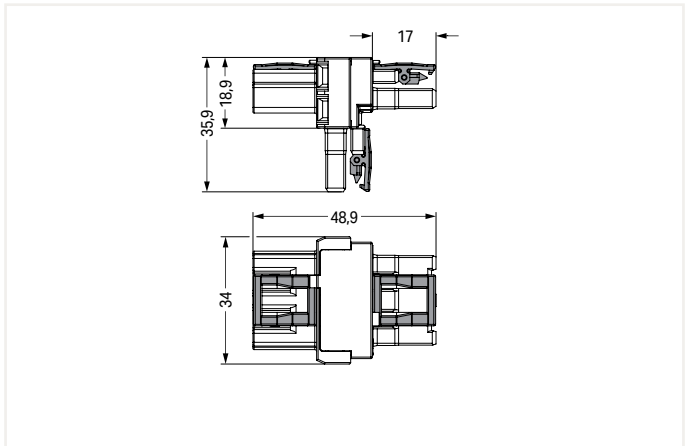
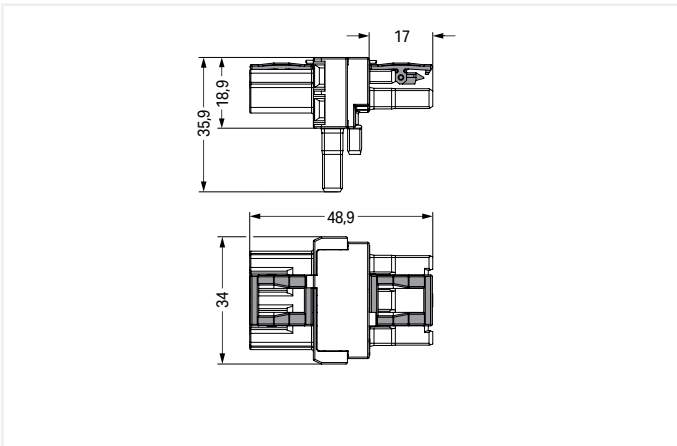
Color	Coding	Marking	Item No.	PU
● black	A	L ⊕ N	770-615	50
○ white	A	L ⊕ N	770-665	50

Measurement and regulation technology

Color	Coding	Marking	Item No.	PU
● gray	B	1 2 3	770-970	50
● light green	B	1 2 3	770-1712	50
● pink	B	1 2 3	770-1713	50

LON bus

Color	Coding	Marking	Item No.	PU
● orange	R	LON LON S	770-670	50



Accessories; for all products on this page



Lockout cap; for socket; separable; Pole No.: 12			
Color	Item No.	PU	
● black	770-201	100	
○ white	770-221	100	



Lockout cap; for plugs; separable; Pole No.: 5			
Color	Item No.	PU	
● yellow	770-360	100	

PU = Packaging Unit; SPU = Subpackaging Unit; Dimensions in mm

Distribution Connector ▶ WINSTA® MIDI ▶ 770 Series

Pole No.: 3

h-distribution connector (bi-directional) ▶ Number of locking levers: 2

h-distribution connector (bi-directional) ▶ for flying leads ▶ Number of locking levers: 3



770-633



770-633

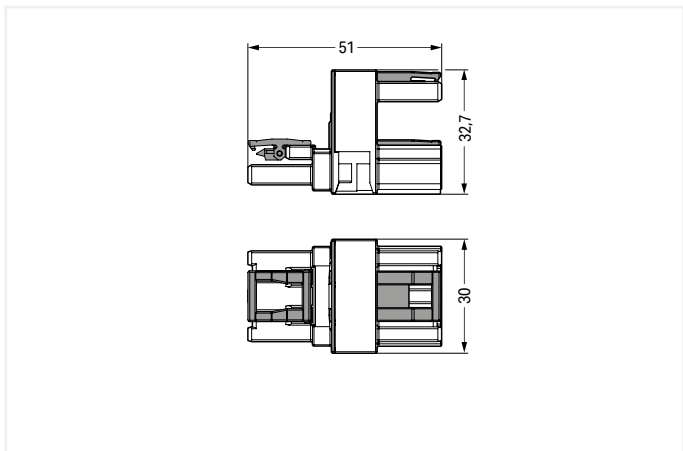
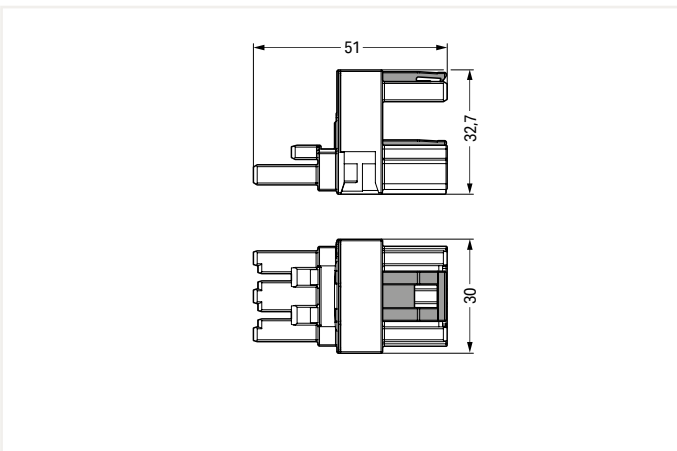
2

General mains applications

Color	Coding	Marking	Item No.	PU
● black	A	L ⊕ N	770-633	50
○ white	A	L ⊕ N	770-683	50

General mains applications

Color	Coding	Marking	Item No.	PU
● black	A	L ⊕ N	770-635	50
○ white	A	L ⊕ N	770-685	50



Accessories; for all products on this page



Lockout cap; for socket; separable; Pole No.: 12		
Color	Item No.	PU
● black	770-201	100
○ white	770-221	100



Lockout cap; for plugs; separable; Pole No.: 5		
Color	Item No.	PU
● yellow	770-360	100



Mounting plate; for distribution connectors (except T-distribution connectors); 3-pole		
Color	Item No.	PU
● black	770-623	25
○ white	770-673	25

PU = Packaging Unit; SPU = Subpackaging Unit; Dimensions in mm

Distribution Connector ▶ WINSTA® MIDI ▶ 770 Series

Pole No.: 3

h-distribution connector (unidirectional) ▶ Number of locking levers: 2

h-distribution connector (unidirectional) ▶ for flying leads ▶ Number of locking levers: 3



770-634



770-634

General mains applications

Color	Coding	Marking	Item No.	PU
● black	A	L ⊕ N	770-634	50
○ white	A	L ⊕ N	770-684	50

Measurement and regulation technology

Color	Coding	Marking	Item No.	PU
● gray	B	1 2 3	770-1661	50
● light green	B	1 2 3	770-1662	50
● pink	B	1 2 3	770-1663	50

EDV (UPS)

Color	Coding	Marking	Item No.	PU
● red	P	L ⊕ N	770-934	50

General mains applications

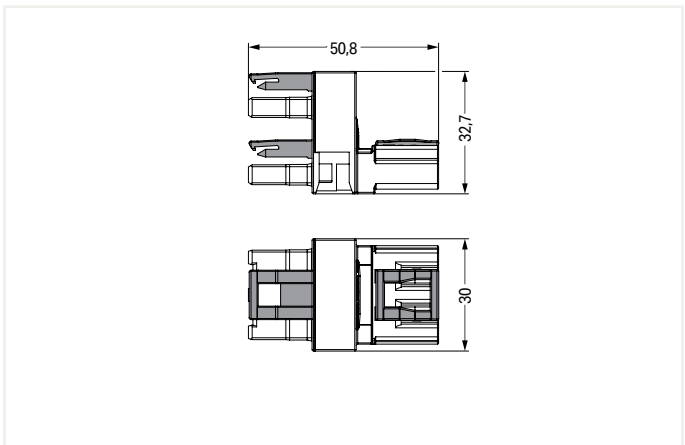
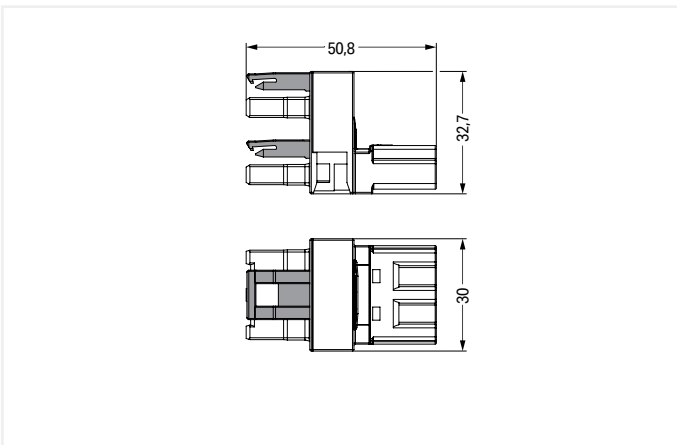
Color	Coding	Marking	Item No.	PU
● black	A	L ⊕ N	770-636	50
○ white	A	L ⊕ N	770-686	50

Measurement and regulation technology

Color	Coding	Marking	Item No.	PU
● gray	B	1 2 3	770-1761	50
● light green	B	1 2 3	770-1762	50
● pink	B	1 2 3	770-1763	50

EDV (UPS)

Color	Coding	Marking	Item No.	PU
● red	P	L ⊕ N	770-936	50



Accessories; for all products on this page



Lockout cap; for socket; separable; Pole No.: 12		
Color	Item No.	PU
● black	770-201	100
○ white	770-221	100



Lockout cap; for plugs; separable; Pole No.: 5		
Color	Item No.	PU
● yellow	770-360	100



Mounting plate; for distribution connectors (except T-distribution connectors); 3-pole		
Color	Item No.	PU
● black	770-623	25
○ white	770-673	25

PU = Packaging Unit; SPU = Subpackaging Unit; Dimensions in mm

Distribution Connector ▶ WINSTA® MIDI ▶ 770 Series

Pole No.: 3

Distribution connector, 3-way,

Distribution connector (5-way)



770-607



770-608

General mains applications

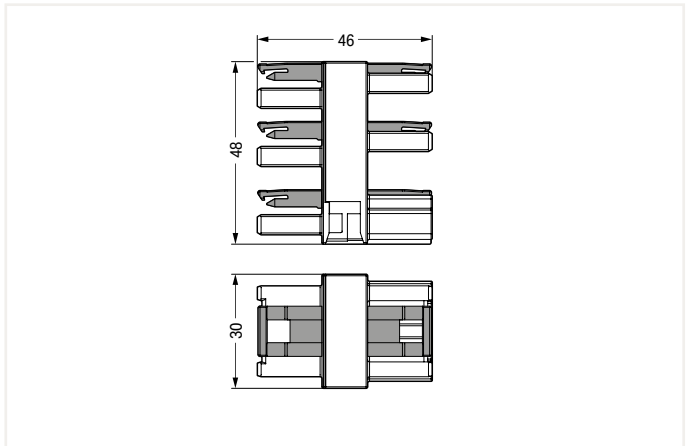
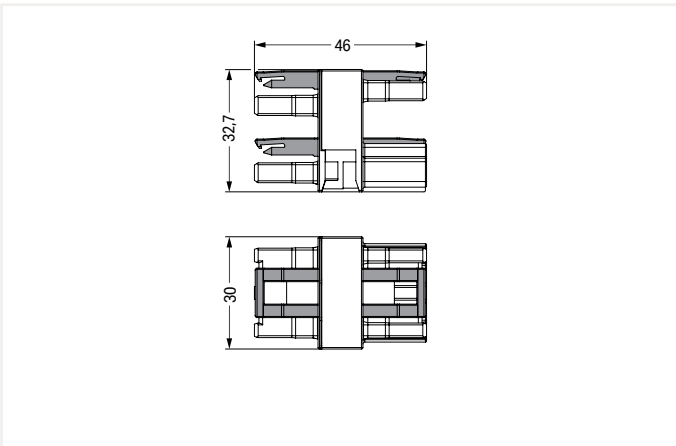
Color	Coding	Marking	Item No.	PU
● black	A	L ⊕ N	770-607	50
○ white	A	L ⊕ N	770-657	50

Measurement and regulation technology

Color	Coding	Marking	Item No.	PU
● gray	B	1 2 3	770-1714	50
● light green	B	1 2 3	770-1715	50
● pink	B	1 2 3	770-1716	50

EDV (UPS)

Color	Coding	Marking	Item No.	PU
● red	P	L ⊕ N	770-907	50



Accessories; for all products on this page



Lockout cap; for socket; separable; Pole No.: 12		
Color	Item No.	PU
● black	770-201	100
○ white	770-221	100



Lockout cap; for plugs; separable; Pole No.: 5		
Color	Item No.	PU
● yellow	770-360	100



Mounting plate; for distribution connectors (except T-distribution connectors); 3-pole		
Color	Item No.	PU
● black	770-623	25
○ white	770-673	25

PU = Packaging Unit; SPU = Subpackaging Unit; Dimensions in mm

Distribution Connector ▶ WINSTA® MIDI ▶ 770 Series

Pole No.: 3

Distribution connector for single-pole switch or series circuits ▶ for single-pole switch and series circuits

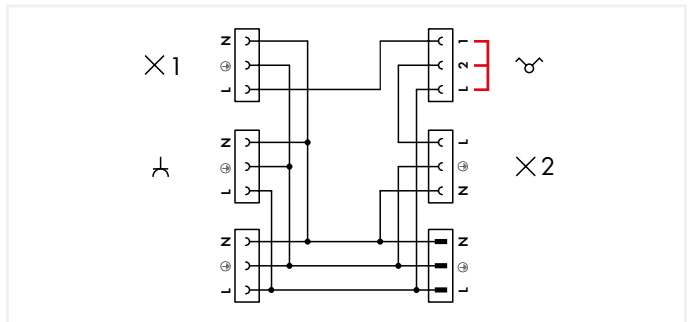
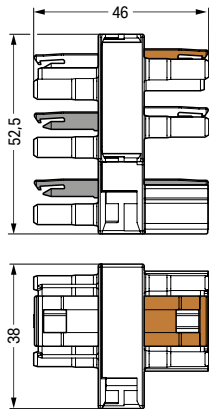
2



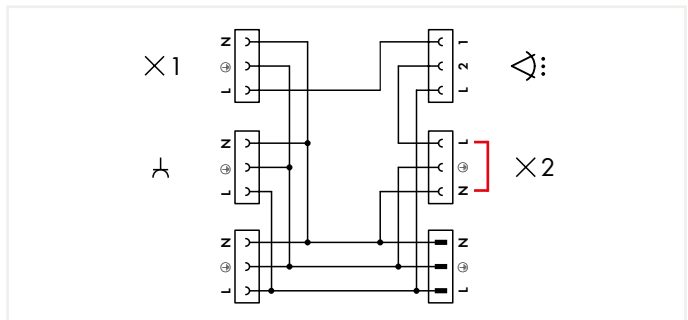
770-637

General mains applications

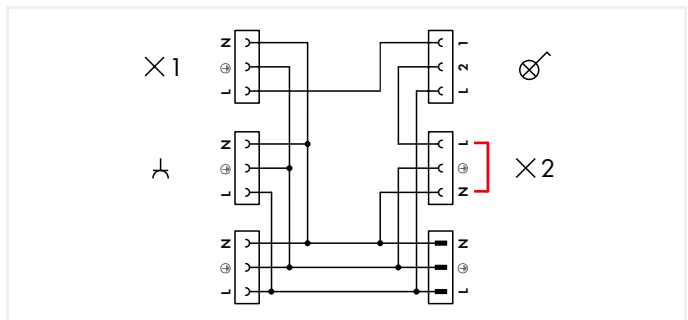
Color	Coding	Marking	Item No.	PU
● black	A	plain	770-637	10
○ white	A	plain	770-687	10



Internal circuit of 770-637 Distribution Connector with possible insertion position of 770-1373/14x-000 Shorting Plug



Internal circuit of 770-637 Distribution Connector with insertion position of 770-113/147-000 Shorting Plug for connecting a motion sensor



Internal circuit of 770-637 Distribution Connector with insertion position of 770-113/147-000 Shorting Plug for connecting a switch with control lamp

Accessories; for all products on this page



Shorting plug; for distribution connectors; series and two-way circuits; Pole No.: 3; Coding: A

Marking	Item No.	PU
	770-113/147-000	25



Shorting plug; for distribution connectors; series and two-way circuits; Pole No.: 3; Coding: S

Marking	Item No.	PU
	770-1373/146-000	25
	770-1373/147-000	25
	770-1373/148-000	25
	770-1373/149-000	25



Lockout cap; for socket; separable; Pole No.: 12

Color	Item No.	PU
● black	770-201	100
○ white	770-221	100



Lockout cap; for plugs; separable; Pole No.: 5

Color	Item No.	PU
● yellow	770-360	100



Mounting plate; for distribution connectors (except T-distribution connectors); 3-pole

Color	Item No.	PU
● black	770-623	25
○ white	770-673	25

PU = Packaging Unit; SPU = Subpackaging Unit; Dimensions in mm

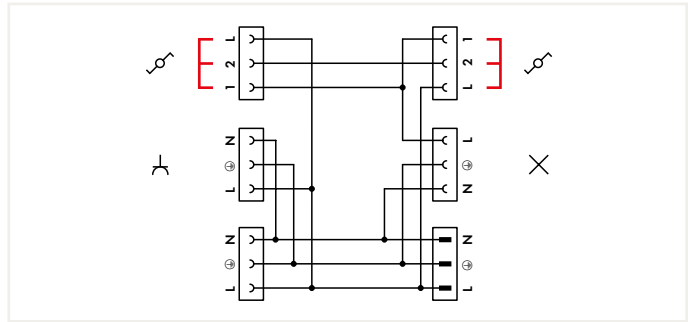
Distribution Connector ▶ WINSTA® MIDI ▶ 770 Series

Pole No.: 3

Distribution connector for single-pole switch and two-way circuits ▶ for single-pole switch and two-way circuits



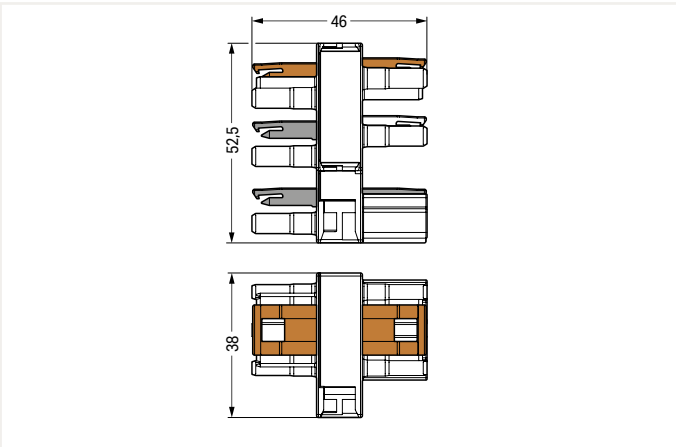
770-638



Internal circuit of 770-638 Distribution Connector with possible insertion positions of 770-1373/14x-000 Shorting Plug

General mains applications

Color	Coding	Marking	Item No.	PU
● black	A	plain	770-638	10
○ white	A	plain	770-688	10



Accessories; for all products on this page



Shorting plug; for distribution connectors; series and two-way circuits; Pole No.: 3; Coding: S

Marking	Item No.	PU
	770-1373/146-000	25
	770-1373/147-000	25
	770-1373/148-000	25
	770-1373/149-000	25



Lockout cap; for socket; separable; Pole No.: 12

Color	Item No.	PU
● black	770-201	100
○ white	770-221	100



Lockout cap; for plugs; separable; Pole No.: 5

Color	Item No.	PU
● yellow	770-360	100



Mounting plate; for distribution connectors (except T-distribution connectors); 3-pole

Color	Item No.	PU
● black	770-623	25
○ white	770-673	25

PU = Packaging Unit; SPU = Subpackaging Unit; Dimensions in mm

Cable Assembly ▶ WINSTA® MIDI ▶ 771 Series

Pole No.: 3 ▶ Protection type: IP20 ▶ Fire class per EN 50575: E_{ca}

- Protected against mismatching and maintenance-free
- Additional variable coding is possible.

Electrical Data									
Coding	A;B;P;S			A;P			B		
Wire cross-section	1.5 mm ²			2.5 mm ²			1 mm ²		
Ratings per	IEC/EN 60664-1			IEC/EN 60664-1			IEC/EN 60664-1		
Oversvoltage category	III	III	II	III	III	II	III	III	II
Pollution degree	3	2	2	3	2	2	3	2	2
Rated voltage	250 V	-	-	250 V	-	-	250 V	-	-
Rated impulse voltage	4 kV	-	-	4 kV	-	-	4 kV	-	-
Rated current	16 A	-	-	20 A	-	-	10 A	-	-

Material Data	
Insulation material	Polyamide (PA66)
Contact material	Copper or copper alloy (surface-treated)
Fire class per EN 50575	E _{ca}

Mechanical Data	
Number of mating cycles	200, without resistive load
Mating force of a plug-in connection	approx. 20 ... 70 N (depending on pole number)
Unmating force of a plug-in connection	when unlocked: approx. 20 ... 70 N (depending on pole number)
Retention force of a plug-in connection	when locked: > 80N
Protection type	IP20
Note on protection type	When mated: IP2xC (These compact connectors are not designed for use in open, easily accessible areas!)

Environmental Requirements	
Processing temperature	-5 ... +40 °C
Continuous operating temperature	-35 ... +85 °C
Note on continuous operating temperature	PVC cable for temperatures ≤ 70 °C (including halogen-free) Insulating parts for temperatures ≤ 105 °C

All WINSTA® components are 100% protected against mismatching when:

- plugging different numbers of poles
- plugging while rotated 180
- plugging while laterally staggered
- plugging one pole

Cables with a different fire class can be found in the eShop.

Cover Page 380

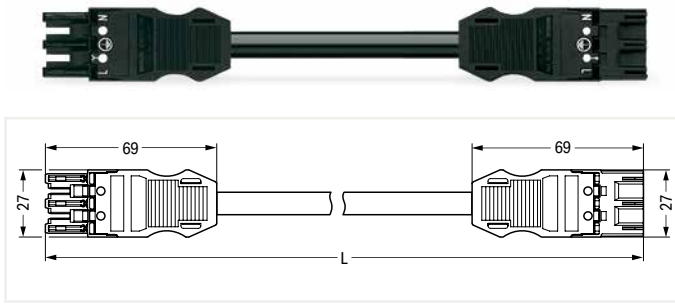
Marking Page 405

See technical section for further information

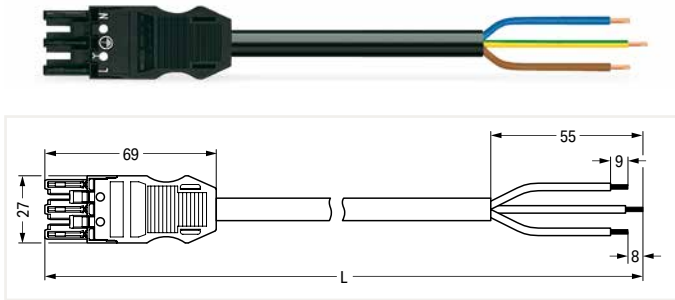
For approvals and corresponding ratings, visit www.wago.com

Cable Assembly ▶ WINSTA® MIDI ▶ 771 Series

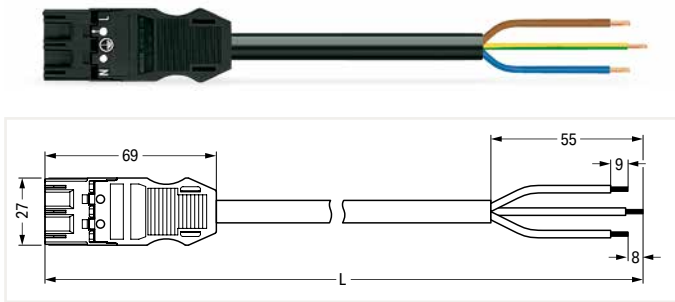
Pole No.: 3 ▶ Protection type: IP20 ▶ Fire class per EN 50575: E_{ca} ▶ Coding: A ▶ 1.5 mm² ▶ Marking: L ⊕ N ▶ PVC ▶ Sheathed cable diameter: 7.4 ... 9.4 mm ▶ H05VV-F 3G1.5 ▶ General mains applications



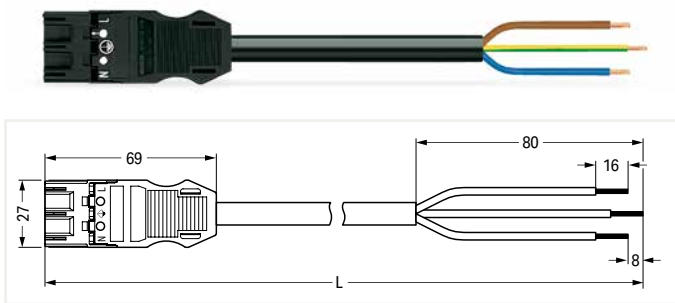
Total length	Connector color/Strain relief color		PU
	black/black	white/white	
1 m	771-9993/006-101	771-9993/006-102	1
2 m	771-9993/006-201	771-9993/006-202	1
3 m	771-9993/006-301	771-9993/006-302	1
4 m	771-9993/006-401	771-9993/006-402	1
5 m	771-9993/006-501	771-9993/006-502	1
6 m	771-9993/006-601	771-9993/006-602	1
7 m	771-9993/006-701	771-9993/006-702	1
8 m	771-9993/006-801	771-9993/006-802	1



Total length	Connector color/Strain relief color		PU
	black/black	white/white	
1 m	771-9993/106-101	771-9993/106-102	1
2 m	771-9993/106-201	771-9993/106-202	1
3 m	771-9993/106-301	771-9993/106-302	1
4 m	771-9993/106-401	771-9993/106-402	1
5 m	771-9993/106-501	771-9993/106-502	1
6 m	771-9993/106-601	771-9993/106-602	1
7 m	771-9993/106-701	771-9993/106-702	1
8 m	771-9993/106-801	771-9993/106-802	1



Total length	Connector color/Strain relief color		PU
	black/black	white/white	
1 m	771-9993/206-101	771-9993/206-102	1
2 m	771-9993/206-201	771-9993/206-202	1
3 m	771-9993/206-301	771-9993/206-302	1
4 m	771-9993/206-401	771-9993/206-402	1
5 m	771-9993/206-501	771-9993/206-502	1
6 m	771-9993/206-601	771-9993/206-602	1
7 m	771-9993/206-701	771-9993/206-702	1
8 m	771-9993/206-801	771-9993/206-802	1



Total length	Connector color/Strain relief color		PU
	black/black	white/white	
1 m	771-9993/3206-101		1
2 m	771-9993/3206-201		1
3 m	771-9993/3206-301		1
4 m	771-9993/3206-401		1
5 m	771-9993/3206-501		1
6 m	771-9993/3206-601		1
7 m	771-9993/3206-701		1
8 m	771-9993/3206-801		1

Accessories; for all products on this page



Locking lever; for flying leads; manually operated		
Color	Item No.	PU (SPU)
● black	770-101	100 (25)
○ white	770-121	100 (25)



Locking lever; for flying leads; tool operated		
Color	Item No.	PU (SPU)
● black	770-111	100 (25)
○ white	770-131	100 (25)



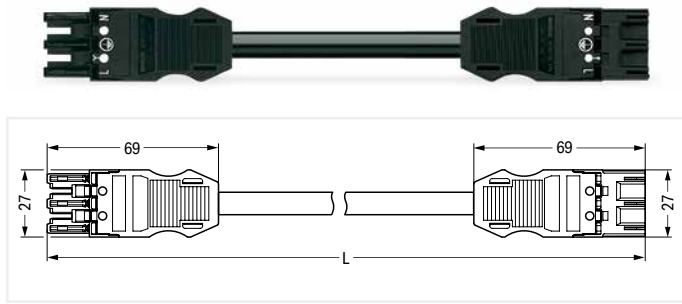
Mounting carrier; for flying leads; 2- to 5-pole		
Color	Item No.	PU
● black	770-310	25

PU = Packaging Unit; SPU = Subpackaging Unit; Dimensions in mm

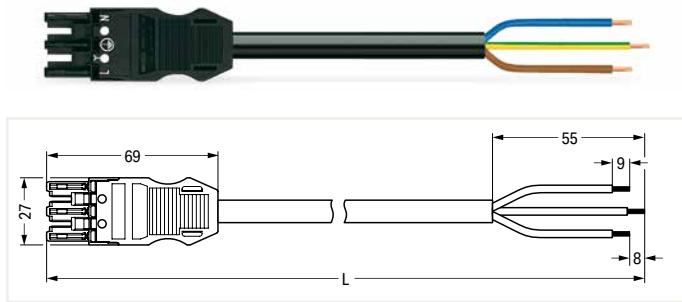
Cable Assembly ▶ WINSTA® MIDI ▶ 771 Series

Pole No.: 3 ▶ Protection type: IP20 ▶ Fire class per EN 50575: E_{ca} ▶ Coding: A ▶ 1.5 mm² ▶ Marking: L ⊕ N ▶ Halogen-free ▶ Sheathed cable diameter: 7.4 ... 9.4 mm ▶ H05Z1Z1-F 3G1.5 ▶ General mains applications

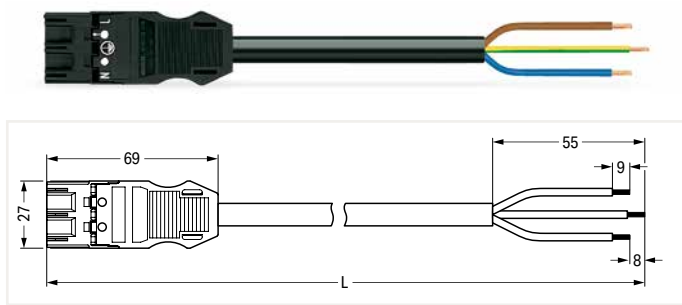
2



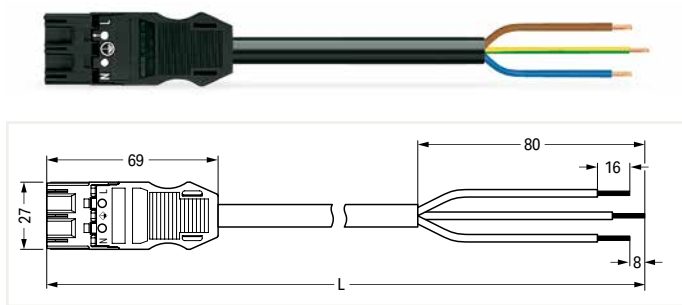
Interconnecting cable ▶ Socket - Plug			
Total length	Connector color/Strain relief color		PU
	black/black	white/white	
1 m	771-9993/016-101	771-9993/016-102	1
2 m	771-9993/016-201	771-9993/016-202	1
3 m	771-9993/016-301	771-9993/016-302	1
4 m	771-9993/016-401	771-9993/016-402	1
5 m	771-9993/016-501	771-9993/016-502	1
6 m	771-9993/016-601	771-9993/016-602	1
7 m	771-9993/016-701	771-9993/016-702	1
8 m	771-9993/016-801	771-9993/016-802	1



Connecting cable ▶ Socket - Free end ▶ Strip length (outer insulation): 55 mm			
Total length	Connector color/Strain relief color		PU
	black/black	white/white	
1 m	771-9993/116-101	771-9993/116-102	1
2 m	771-9993/116-201	771-9993/116-202	1
3 m	771-9993/116-301	771-9993/116-302	1
4 m	771-9993/116-401	771-9993/116-402	1
5 m	771-9993/116-501	771-9993/116-502	1
6 m	771-9993/116-601	771-9993/116-602	1
7 m	771-9993/116-701	771-9993/116-702	1
8 m	771-9993/116-801	771-9993/116-802	1



Connecting cable ▶ Plug - Free end ▶ Strip length (outer insulation): 55 mm			
Total length	Connector color/Strain relief color		PU
	black/black	white/white	
1 m	771-9993/216-101	771-9993/216-102	1
2 m	771-9993/216-201	771-9993/216-202	1
3 m	771-9993/216-301	771-9993/216-302	1
4 m	771-9993/216-401	771-9993/216-402	1
5 m	771-9993/216-501	771-9993/216-502	1
6 m	771-9993/216-601	771-9993/216-602	1
7 m	771-9993/216-701	771-9993/216-702	1
8 m	771-9993/216-801	771-9993/216-802	1



Connecting cable ▶ Plug - Free end ▶ Strip length (outer insulation): 80 mm ▶ for installation of switches and outlets			
Total length	Connector color/Strain relief color		PU
	black/black	white/white	
1 m	771-9993/3216-101		1
2 m	771-9993/3216-201		1
3 m	771-9993/3216-301		1
4 m	771-9993/3216-401		1
5 m	771-9993/3216-501		1
6 m	771-9993/3216-601		1
7 m	771-9993/3216-701		1
8 m	771-9993/3216-801		1

Accessories; for all products on this page



Locking lever; for flying leads; manually operated		
Color	Item No.	PU (SPU)
● black	770-101	100 (25)
○ white	770-121	100 (25)



Locking lever; for flying leads; tool operated		
Color	Item No.	PU (SPU)
● black	770-111	100 (25)
○ white	770-131	100 (25)

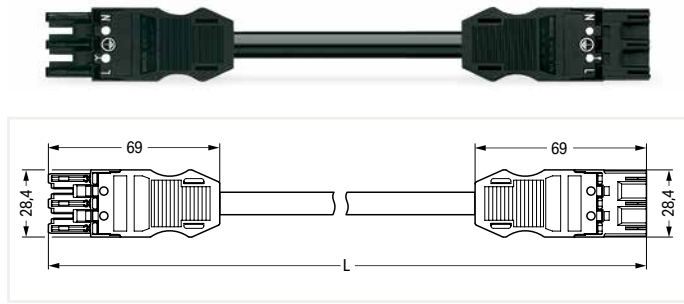


Mounting carrier; for flying leads; 2- to 5-pole		
Color	Item No.	PU
● black	770-310	25

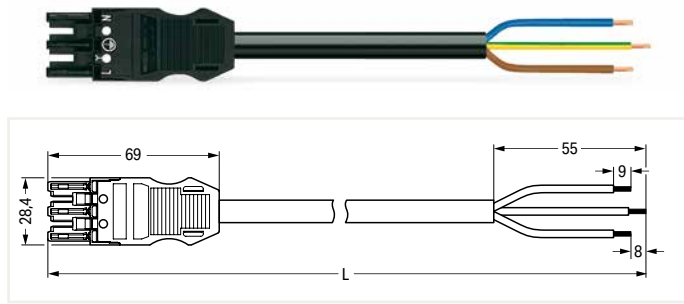
PU = Packaging Unit; SPU = Subpackaging Unit; Dimensions in mm

Cable Assembly ▶ WINSTA® MIDI ▶ 771 Series

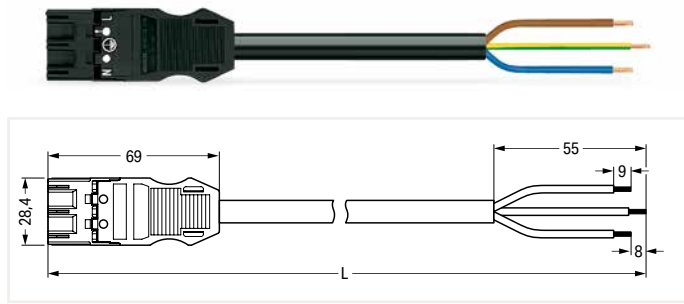
Pole No.: 3 ▶ Protection type: IP20 ▶ Fire class per EN 50575: E_{ca} ▶ Coding: A ▶ 2.5 mm² ▶ Marking: L ⊕ N ▶ PVC ▶ Sheathed cable diameter: 9.2 ... 11.4 mm ▶ H05VV-F 3G2.5 ▶ General mains applications



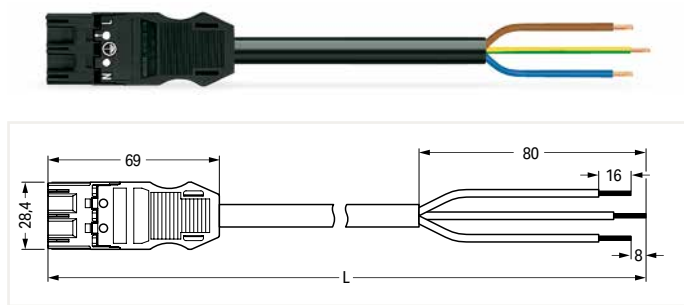
Interconnecting cable ▶ Socket - Plug			
Total length	Connector color/Strain relief color		PU
	black/black	white/white	
1 m	771-9993/007-101	771-9993/007-102	1
2 m	771-9993/007-201	771-9993/007-202	1
3 m	771-9993/007-301	771-9993/007-302	1
4 m	771-9993/007-401	771-9993/007-402	1
5 m	771-9993/007-501	771-9993/007-502	1
6 m	771-9993/007-601	771-9993/007-602	1
7 m	771-9993/007-701	771-9993/007-702	1
8 m	771-9993/007-801	771-9993/007-802	1



Connecting cable ▶ Socket - Free end ▶ Strip length (outer insulation): 55 mm			
Total length	Connector color/Strain relief color		PU
	black/black	white/white	
1 m	771-9993/107-101	771-9993/107-102	1
2 m	771-9993/107-201	771-9993/107-202	1
3 m	771-9993/107-301	771-9993/107-302	1
4 m	771-9993/107-401	771-9993/107-402	1
5 m	771-9993/107-501	771-9993/107-502	1
6 m	771-9993/107-601	771-9993/107-602	1
7 m	771-9993/107-701	771-9993/107-702	1
8 m	771-9993/107-801	771-9993/107-802	1



Connecting cable ▶ Plug - Free end ▶ Strip length (outer insulation): 55 mm			
Total length	Connector color/Strain relief color		PU
	black/black	white/white	
1 m	771-9993/207-101	771-9993/207-102	1
2 m	771-9993/207-201	771-9993/207-202	1
3 m	771-9993/207-301	771-9993/207-302	1
4 m	771-9993/207-401	771-9993/207-402	1
5 m	771-9993/207-501	771-9993/207-502	1
6 m	771-9993/207-601	771-9993/207-602	1
7 m	771-9993/207-701	771-9993/207-702	1
8 m	771-9993/207-801	771-9993/207-802	1



Connecting cable ▶ Plug - Free end ▶ Strip length (outer insulation): 80 mm ▶ for installation of switches and outlets			
Total length	Connector color/Strain relief color		PU
	black/black		
1 m	771-9993/3207-101		1
2 m	771-9993/3207-201		1
3 m	771-9993/3207-301		1
4 m	771-9993/3207-401		1
5 m	771-9993/3207-501		1
6 m	771-9993/3207-601		1
7 m	771-9993/3207-701		1
8 m	771-9993/3207-801		1

Accessories; for all products on this page



Locking lever; for flying leads; manually operated		
Color	Item No.	PU (SPU)
● black	770-101	100 (25)
○ white	770-121	100 (25)



Locking lever; for flying leads; tool operated		
Color	Item No.	PU (SPU)
● black	770-111	100 (25)
○ white	770-131	100 (25)



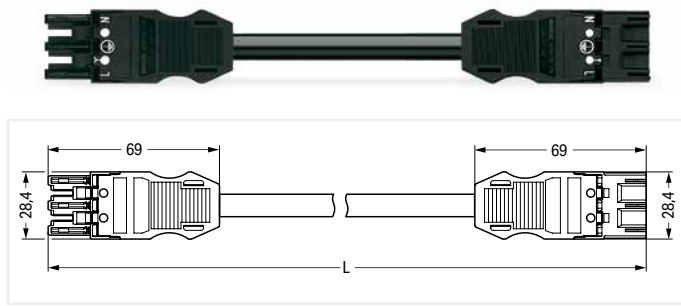
Mounting carrier; for flying leads; 2- to 5-pole		
Color	Item No.	PU
● black	770-310	25

PU = Packaging Unit; SPU = Subpackaging Unit; Dimensions in mm

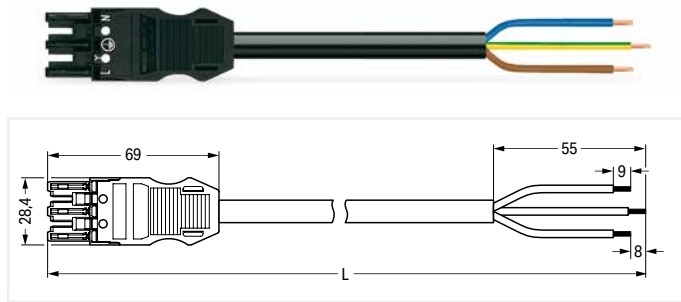
Cable Assembly ▶ WINSTA® MIDI ▶ 771 Series

Pole No.: 3 ▶ Protection type: IP20 ▶ Fire class per EN 50575: E_{ca} ▶ Coding: A ▶ 2.5 mm² ▶ Marking: L ⊕ N ▶ Halogen-free ▶ Sheathed cable diameter: 9.2 ... 11.4 mm ▶ H05Z1Z1-F 3G2.5 ▶ General mains applications

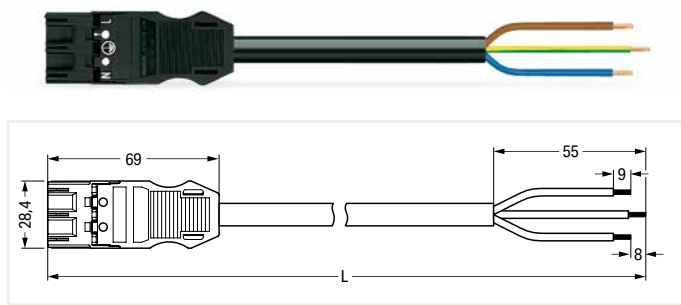
2



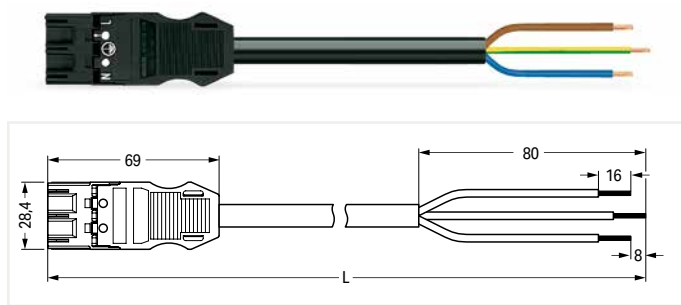
Total length	Connector color/Strain relief color		PU
	black/black	white/white	
1 m	771-9993/017-101	771-9993/017-102	1
2 m	771-9993/017-201	771-9993/017-202	1
3 m	771-9993/017-301	771-9993/017-302	1
4 m	771-9993/017-401	771-9993/017-402	1
5 m	771-9993/017-501	771-9993/017-502	1
6 m	771-9993/017-601	771-9993/017-602	1
7 m	771-9993/017-701	771-9993/017-702	1
8 m	771-9993/017-801	771-9993/017-802	1



Total length	Connector color/Strain relief color		PU
	black/black	white/white	
1 m	771-9993/117-101	771-9993/117-102	1
2 m	771-9993/117-201	771-9993/117-202	1
3 m	771-9993/117-301	771-9993/117-302	1
4 m	771-9993/117-401	771-9993/117-402	1
5 m	771-9993/117-501	771-9993/117-502	1
6 m	771-9993/117-601	771-9993/117-602	1
7 m	771-9993/117-701	771-9993/117-702	1
8 m	771-9993/117-801	771-9993/117-802	1



Total length	Connector color/Strain relief color		PU
	black/black	white/white	
1 m	771-9993/217-101	771-9993/217-102	1
2 m	771-9993/217-201	771-9993/217-202	1
3 m	771-9993/217-301	771-9993/217-302	1
4 m	771-9993/217-401	771-9993/217-402	1
5 m	771-9993/217-501	771-9993/217-502	1
6 m	771-9993/217-601	771-9993/217-602	1
7 m	771-9993/217-701	771-9993/217-702	1
8 m	771-9993/217-801	771-9993/217-802	1



Total length	Connector color/Strain relief color		PU
	black/black	white/white	
1 m	771-9993/3217-101		1
2 m	771-9993/3217-201		1
3 m	771-9993/3217-301		1
4 m	771-9993/3217-401		1
5 m	771-9993/3217-501		1
6 m	771-9993/3217-601		1
7 m	771-9993/3217-701		1
8 m	771-9993/3217-801		1

Accessories; for all products on this page



Locking lever; for flying leads; manually operated		
Color	Item No.	PU (SPU)
● black	770-101	100 (25)
○ white	770-121	100 (25)



Locking lever; for flying leads; tool operated		
Color	Item No.	PU (SPU)
● black	770-111	100 (25)
○ white	770-131	100 (25)

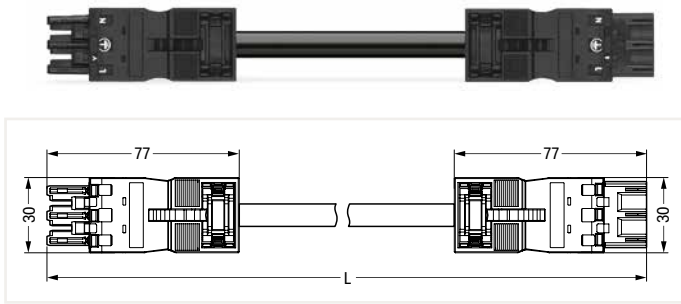


Mounting carrier; for flying leads; 2- to 5-pole		
Color	Item No.	PU
● black	770-310	25

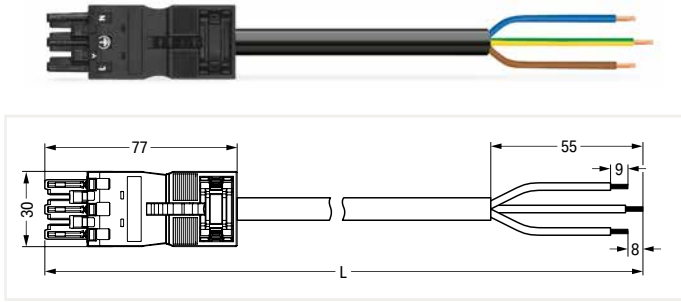
PU = Packaging Unit; SPU = Subpackaging Unit; Dimensions in mm

Cable Assembly ▶ WINSTA® MIDI ▶ 771 Series

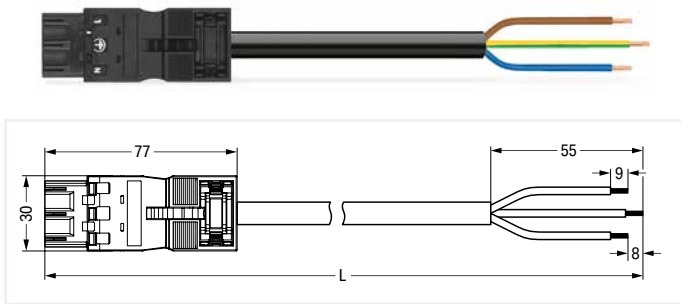
Pole No.: 3 ▶ Protection type: IP 2xD ▶ Coding: A ▶ Marking: L ⊕ N ▶ Fire class per EN 50575: E_{ca} ▶ General mains applications ▶ 1.5 mm² ▶ PVC ▶ Sheathed cable diameter: 7.4 ... 9.4 mm ▶ H05VV-F 3G1.5



Interconnecting cable ▶ Socket - Plug			
Total length	Connector color/Strain relief color		PU
	black/black	white/white	
1 m	771-6993/006-101	771-6993/006-102	1
2 m	771-6993/006-201	771-6993/006-202	1
3 m	771-6993/006-301	771-6993/006-302	1
4 m	771-6993/006-401	771-6993/006-402	1
5 m	771-6993/006-501	771-6993/006-502	1
6 m	771-6993/006-601	771-6993/006-602	1
7 m	771-6993/006-701	771-6993/006-702	1
8 m	771-6993/006-801	771-6993/006-802	1



Connecting cable ▶ Socket - Free end ▶ Strip length (outer insulation): 55 mm			
Total length	Connector color/Strain relief color		PU
	black/black	white/white	
1 m	771-6993/106-101	771-6993/106-102	1
2 m	771-6993/106-201	771-6993/106-202	1
3 m	771-6993/106-301	771-6993/106-302	1
4 m	771-6993/106-401	771-6993/106-402	1
5 m	771-6993/106-501	771-6993/106-502	1
6 m	771-6993/106-601	771-6993/106-602	1
7 m	771-6993/106-701	771-6993/106-702	1
8 m	771-6993/106-801	771-6993/106-802	1



Connecting cable ▶ Plug - Free end ▶ Strip length (outer insulation): 55 mm			
Total length	Connector color/Strain relief color		PU
	black/black	white/white	
1 m	771-6993/206-101	771-6993/206-102	1
2 m	771-6993/206-201	771-6993/206-202	1
3 m	771-6993/206-301	771-6993/206-302	1
4 m	771-6993/206-401	771-6993/206-402	1
5 m	771-6993/206-501	771-6993/206-502	1
6 m	771-6993/206-601	771-6993/206-602	1
7 m	771-6993/206-701	771-6993/206-702	1
8 m	771-6993/206-801	771-6993/206-802	1

Accessories; for all products on this page



Locking lever; for flying leads; manually operated		
Color	Item No.	PU (SPU)
● black	770-101	100 (25)
○ white	770-121	100 (25)



Locking lever; for flying leads; tool operated		
Color	Item No.	PU (SPU)
● black	770-111	100 (25)
○ white	770-131	100 (25)



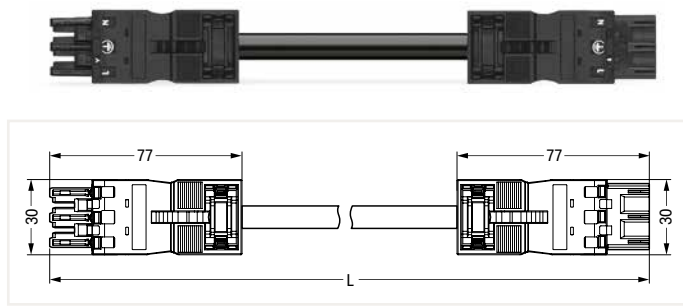
Mounting carrier; for flying leads; 2- to 5-pole		
Color	Item No.	PU
● black	770-310	25

PU = Packaging Unit; SPU = Subpackaging Unit; Dimensions in mm

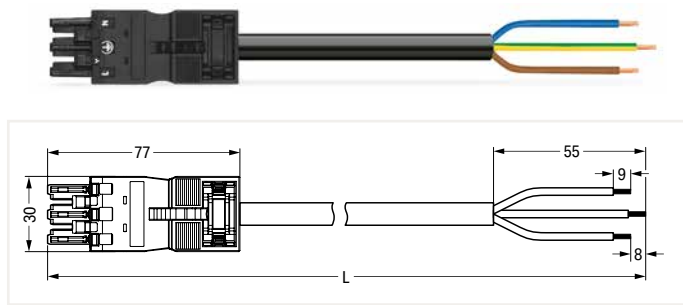
Cable Assembly ▶ WINSTA® MIDI ▶ 771 Series

Pole No.: 3 ▶ Protection type: IP 2xD ▶ Coding: A ▶ Marking: L ⊕ N ▶ Fire class per EN 50575: E_{ca} ▶ General mains applications ▶ 1.5 mm² ▶ Halogen-free ▶ Sheathed cable diameter: 7.4 ... 9.4 mm ▶ H05Z1Z1-F 3G1.5

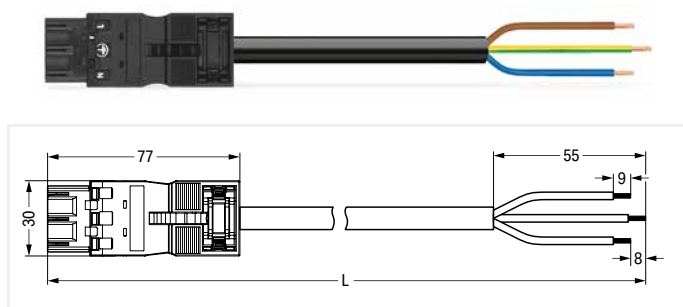
2



Total length	Connector color/Strain relief color		PU
	black/black	white/white	
1 m	771-6993/016-101	771-6993/016-102	1
2 m	771-6993/016-201	771-6993/016-202	1
3 m	771-6993/016-301	771-6993/016-302	1
4 m	771-6993/016-401	771-6993/016-402	1
5 m	771-6993/016-501	771-6993/016-502	1
6 m	771-6993/016-601	771-6993/016-602	1
7 m	771-6993/016-701	771-6993/016-702	1
8 m	771-6993/016-801	771-6993/016-802	1



Total length	Connector color/Strain relief color		PU
	black/black	white/white	
1 m	771-6993/116-101	771-6993/116-102	1
2 m	771-6993/116-201	771-6993/116-202	1
3 m	771-6993/116-301	771-6993/116-302	1
4 m	771-6993/116-401	771-6993/116-402	1
5 m	771-6993/116-501	771-6993/116-502	1
6 m	771-6993/116-601	771-6993/116-602	1
7 m	771-6993/116-701	771-6993/116-702	1
8 m	771-6993/116-801	771-6993/116-802	1



Total length	Connector color/Strain relief color		PU
	black/black	white/white	
1 m	771-6993/216-101	771-6993/216-102	1
2 m	771-6993/216-201	771-6993/216-202	1
3 m	771-6993/216-301	771-6993/216-302	1
4 m	771-6993/216-401	771-6993/216-402	1
5 m	771-6993/216-501	771-6993/216-502	1
6 m	771-6993/216-601	771-6993/216-602	1
7 m	771-6993/216-701	771-6993/216-702	1
8 m	771-6993/216-801	771-6993/216-802	1

Accessories; for all products on this page



Locking lever; for flying leads; manually operated		
Color	Item No.	PU (SPU)
● black	770-101	100 (25)
○ white	770-121	100 (25)



Locking lever; for flying leads; tool operated		
Color	Item No.	PU (SPU)
● black	770-111	100 (25)
○ white	770-131	100 (25)

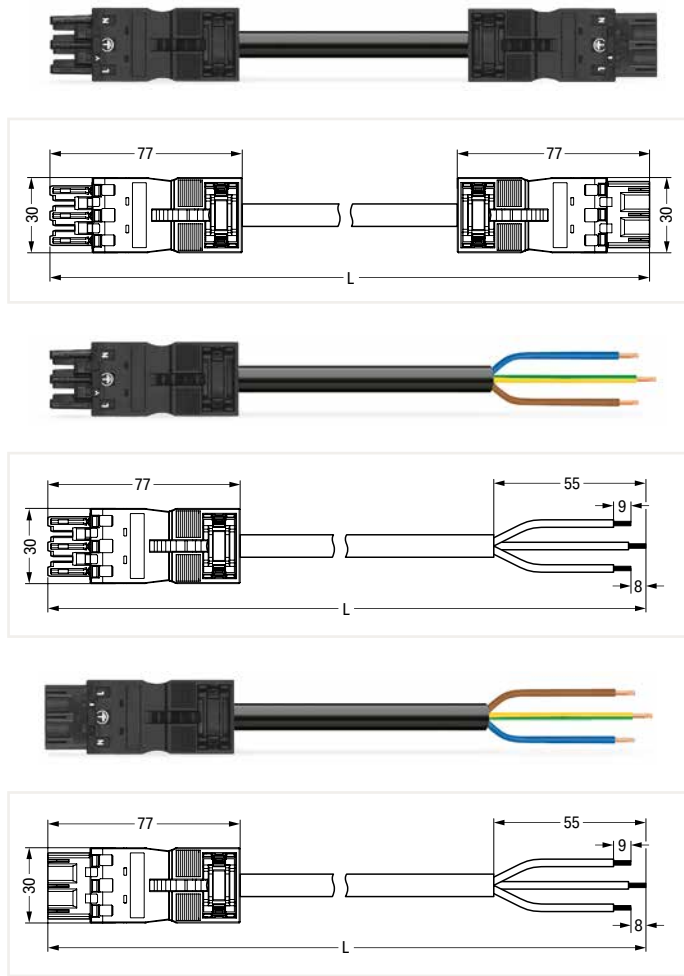


Mounting carrier; for flying leads; 2- to 5-pole		
Color	Item No.	PU
● black	770-310	25

PU = Packaging Unit; SPU = Subpackaging Unit; Dimensions in mm

Cable Assembly ▶ WINSTA® MIDI ▶ 771 Series

Pole No.: 3 ▶ Protection type: IP 2xD ▶ Coding: A ▶ Marking: L ⊕ N ▶ Fire class per EN 50575: E_{ca} ▶ General mains applications ▶ 2.5 mm² ▶ PVC ▶ Sheathed cable diameter: 9.2 ... 11.4 mm ▶ H05VV-F 3G2.5



Interconnecting cable ▶ Socket - Plug			
Total length	Connector color/Strain relief color		PU
	black/black	white/white	
1 m	771-6993/007-101	771-6993/007-102	1
2 m	771-6993/007-201	771-6993/007-202	1
3 m	771-6993/007-301	771-6993/007-302	1
4 m	771-6993/007-401	771-6993/007-402	1
5 m	771-6993/007-501	771-6993/007-502	1
6 m	771-6993/007-601	771-6993/007-602	1
7 m	771-6993/007-701	771-6993/007-702	1
8 m	771-6993/007-801	771-6993/007-802	1

Connecting cable ▶ Socket - Free end ▶ Strip length (outer insulation): 55 mm			
Total length	Connector color/Strain relief color		PU
	black/black	white/white	
1 m	771-6993/107-101	771-6993/107-102	1
2 m	771-6993/107-201	771-6993/107-202	1
3 m	771-6993/107-301	771-6993/107-302	1
4 m	771-6993/107-401	771-6993/107-402	1
5 m	771-6993/107-501	771-6993/107-502	1
6 m	771-6993/107-601	771-6993/107-602	1
7 m	771-6993/107-701	771-6993/107-702	1
8 m	771-6993/107-801	771-6993/107-802	1

Connecting cable ▶ Plug - Free end ▶ Strip length (outer insulation): 55 mm			
Total length	Connector color/Strain relief color		PU
	black/black	white/white	
1 m	771-6993/207-101	771-6993/207-102	1
2 m	771-6993/207-201	771-6993/207-202	1
3 m	771-6993/207-301	771-6993/207-302	1
4 m	771-6993/207-401	771-6993/207-402	1
5 m	771-6993/207-501	771-6993/207-502	1
6 m	771-6993/207-601	771-6993/207-602	1
7 m	771-6993/207-701	771-6993/207-702	1
8 m	771-6993/207-801	771-6993/207-802	1

Accessories; for all products on this page



Locking lever; for flying leads; manually operated		
Color	Item No.	PU (SPU)
● black	770-101	100 (25)
○ white	770-121	100 (25)



Locking lever; for flying leads; tool operated		
Color	Item No.	PU (SPU)
● black	770-111	100 (25)
○ white	770-131	100 (25)



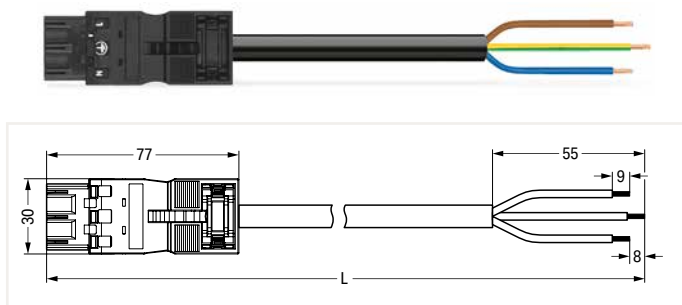
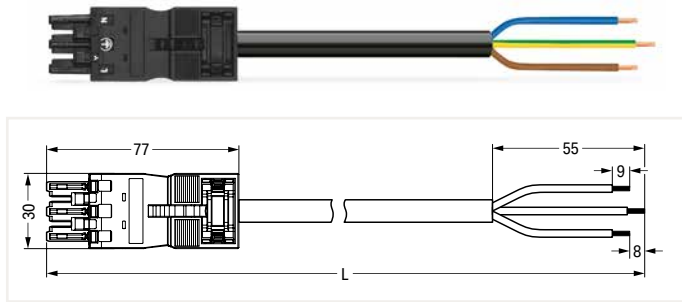
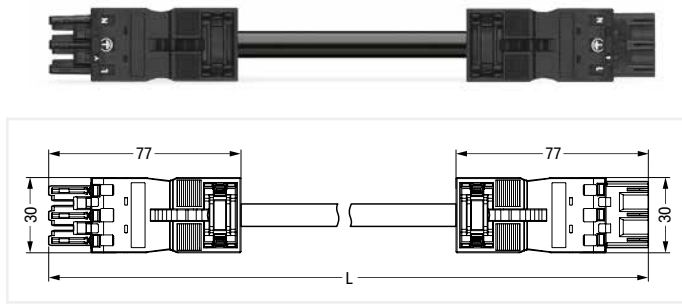
Mounting carrier; for flying leads; 2- to 5-pole		
Color	Item No.	PU
● black	770-310	25

PU = Packaging Unit; SPU = Subpackaging Unit; Dimensions in mm

Cable Assembly ▶ WINSTA® MIDI ▶ 771 Series

Pole No.: 3 ▶ Protection type: IP 2xD ▶ Coding: A ▶ Marking: L ⊕ N ▶ Fire class per EN 50575: E_{ca} ▶ General mains applications ▶ 2.5 mm² ▶ Halogen-free ▶ Sheathed cable diameter: 9.2 ... 11.4 mm ▶ H05Z1Z1-F 3G2.5

2



Total length	Connector color/Strain relief color		PU
	black/black	white/white	
1 m	771-6993/017-101	771-6993/017-102	1
2 m	771-6993/017-201	771-6993/017-202	1
3 m	771-6993/017-301	771-6993/017-302	1
4 m	771-6993/017-401	771-6993/017-402	1
5 m	771-6993/017-501	771-6993/017-502	1
6 m	771-6993/017-601	771-6993/017-602	1
7 m	771-6993/017-701	771-6993/017-702	1
8 m	771-6993/017-801	771-6993/017-802	1

Total length	Connector color/Strain relief color		PU
	black/black	white/white	
1 m	771-6993/117-101	771-6993/117-102	1
2 m	771-6993/117-201	771-6993/117-202	1
3 m	771-6993/117-301	771-6993/117-302	1
4 m	771-6993/117-401	771-6993/117-402	1
5 m	771-6993/117-501	771-6993/117-502	1
6 m	771-6993/117-601	771-6993/117-602	1
7 m	771-6993/117-701	771-6993/117-702	1
8 m	771-6993/117-801	771-6993/117-802	1

Total length	Connector color/Strain relief color		PU
	black/black	white/white	
1 m	771-6993/217-101	771-6993/217-102	1
2 m	771-6993/217-201	771-6993/217-202	1
3 m	771-6993/217-301	771-6993/217-302	1
4 m	771-6993/217-401	771-6993/217-402	1
5 m	771-6993/217-501	771-6993/217-502	1
6 m	771-6993/217-601	771-6993/217-602	1
7 m	771-6993/217-701	771-6993/217-702	1
8 m	771-6993/217-801	771-6993/217-802	1

Accessories; for all products on this page



Locking lever; for flying leads; manually operated		
Color	Item No.	PU (SPU)
● black	770-101	100 (25)
○ white	770-121	100 (25)



Locking lever; for flying leads; tool operated		
Color	Item No.	PU (SPU)
● black	770-111	100 (25)
○ white	770-131	100 (25)



Mounting carrier; for flying leads; 2- to 5-pole		
Color	Item No.	PU
● black	770-310	25

PU = Packaging Unit; SPU = Subpackaging Unit; Dimensions in mm

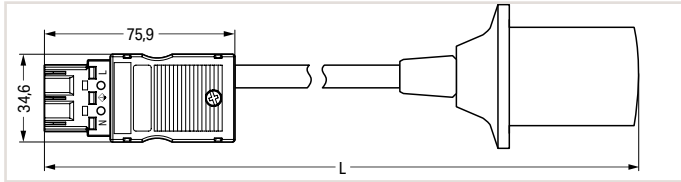
Cable Assembly ▶ WINSTA® MIDI ▶ 771 Series

No. of poles: 3 ▶ Protection type: IP20 ▶ Fire class per EN 50575: E_{ca} ▶ Coding: A ▶ PVC ▶ General mains application



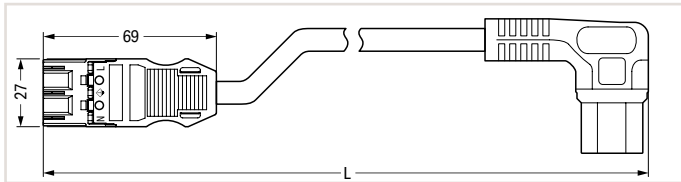
Adapter cable ▶ plug – E 27 lamp socket ▶ 0.75 mm² ▶ Connectable sheathed cable diameter: 5.7 ... 7.2 mm ▶ H05VV-F 2x0.75

Length	Connector color/Strain relief color		PU
	black/black		
0.5 m	771-8993/1004-051		1



Interconnecting cable ▶ plug – cold equipment socket ▶ angled ▶ 1 mm² ▶ Connectable sheathed cable diameter: 6.3 ... 8 mm ▶ H05VV-F 3G1

Length	Connector color/Strain relief color		PU
	black/black	white/white	
1 m	771-9993/805-101	771-9993/805-102	1
2 m	771-9993/805-201	771-9993/805-202	1
3 m	771-9993/805-301	771-9993/805-302	1



2

PU = Packaging Unit; SPU = Subpackaging Unit; Dimensions in mm

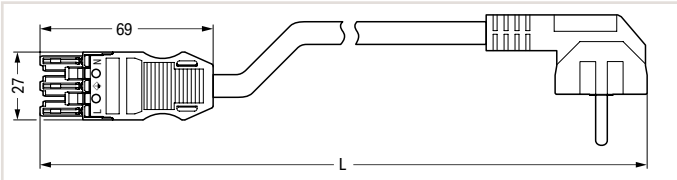
Cable Assembly ▶ WINSTA® MIDI ▶ 771 Series

No. of poles: 3 ▶ Protection type: IP20 ▶ Fire class per EN 50575: E_{ca} ▶ Coding: A ▶ PVC ▶ General mains application



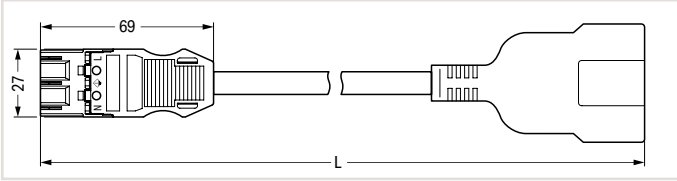
Interconnecting cable ▶ socket – SCHUKO® plug ▶ angled ▶ 1.5 mm² ▶ Connectable sheathed cable diameter: 7.4 ... 9.4 mm ▶ H05VV-F 3G1.5

Length	Connector color/Strain relief color		PU
	black/black	white/white	
1 m	771-9993/306-101	771-9993/306-102	1
2 m	771-9993/306-201	771-9993/306-202	1
3 m	771-9993/306-301	771-9993/306-302	1



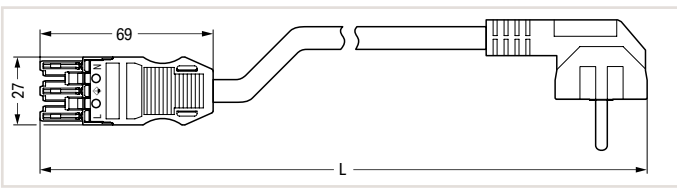
Interconnecting cable ▶ plug – SCHUKO® socket ▶ 1.5 mm² ▶ Connectable sheathed cable diameter: 7.4 ... 9.4 mm ▶ H05VV-F 3G1.5

Length	Connector color/Strain relief color		PU
	black/black	white/white	
1 m	771-9993/406-101	771-9993/406-102	1
2 m	771-9993/406-201	771-9993/406-202	1
3 m	771-9993/406-301	771-9993/406-302	1



Interconnecting cable ▶ socket – SCHUKO® plug ▶ angled ▶ 2.5 mm² ▶ Connectable sheathed cable diameter: 7.4 ... 9.4 mm ▶ H05VV-F 3G1.5

Length	Connector color/Strain relief color		PU
	black/black	white/white	
1 m	771-9993/307-101	771-9993/307-102	1
2 m	771-9993/307-201	771-9993/307-202	1
3 m	771-9993/307-301	771-9993/307-302	1



Accessories; for all products on this page



Locking lever; for flying leads; manually operated

Color	Item No.	PU (SPU)
● black	770-101	100 (25)
○ white	770-121	100 (25)



Locking lever; for flying leads; tool operated

Color	Item No.	PU (SPU)
● black	770-111	100 (25)
○ white	770-131	100 (25)



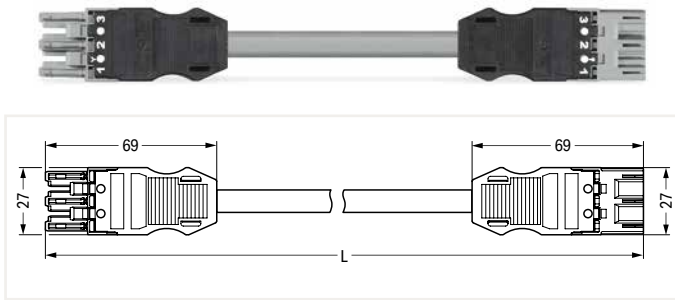
Mounting carrier; for flying leads; 2- to 5-pole

Color	Item No.	PU
● black	770-310	25

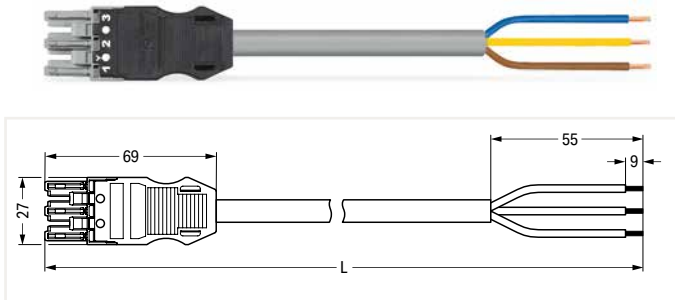
PU = Packaging Unit; SPU = Subpackaging Unit; Dimensions in mm

Cable Assembly ▶ WINSTA® MIDI ▶ 771 Series

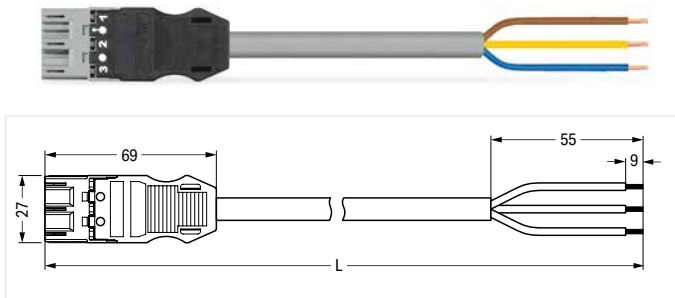
Pole No.: 3 ▶ Protection type: IP20 ▶ Fire class per EN 50575: E_{ca} ▶ Coding: B ▶ 1 mm² ▶ Marking: 1 2 3 ▶ PVC ▶ Sheathed cable diameter: 6.3 ... 8 mm ▶ Control line 3 x 1 ▶ Measurement and regulation technology



Total length	Connector color/Strain relief color			PU
	gray/black	light green/black	pink/black	
1 m	771-9993/005-103	771-9993/005-105	771-9993/005-107	1
2 m	771-9993/005-203	771-9993/005-205	771-9993/005-207	1
3 m	771-9993/005-303	771-9993/005-305	771-9993/005-307	1
4 m	771-9993/005-403	771-9993/005-405	771-9993/005-407	1
5 m	771-9993/005-503	771-9993/005-505	771-9993/005-507	1
6 m	771-9993/005-603	771-9993/005-605	771-9993/005-607	1
7 m	771-9993/005-703	771-9993/005-705	771-9993/005-707	1
8 m	771-9993/005-803	771-9993/005-805	771-9993/005-807	1



Total length	Connector color/Strain relief color			PU
	gray/black	light green/black	pink/black	
1 m	771-9993/105-103	771-9993/105-105	771-9993/105-107	1
2 m	771-9993/105-203	771-9993/105-205	771-9993/105-207	1
3 m	771-9993/105-303	771-9993/105-305	771-9993/105-307	1
4 m	771-9993/105-403	771-9993/105-405	771-9993/105-407	1
5 m	771-9993/105-503	771-9993/105-505	771-9993/105-507	1
6 m	771-9993/105-603	771-9993/105-605	771-9993/105-607	1
7 m	771-9993/105-703	771-9993/105-705	771-9993/105-707	1
8 m	771-9993/105-803	771-9993/105-805	771-9993/105-807	1



Total length	Connector color/Strain relief color			PU
	gray/black	light green/black	pink/black	
1 m	771-9993/205-103	771-9993/205-105	771-9993/205-107	1
2 m	771-9993/205-203	771-9993/205-205	771-9993/205-207	1
3 m	771-9993/205-303	771-9993/205-305	771-9993/205-307	1
4 m	771-9993/205-403	771-9993/205-405	771-9993/205-407	1
5 m	771-9993/205-503	771-9993/205-505	771-9993/205-507	1
6 m	771-9993/205-603	771-9993/205-605	771-9993/205-607	1
7 m	771-9993/205-703	771-9993/205-705	771-9993/205-707	1
8 m	771-9993/205-803	771-9993/205-805	771-9993/205-807	1

2

Accessories; for all products on this page



Locking lever; for flying leads; manually operated		
Color	Item No.	PU (SPU)
● black	770-101	100 (25)
○ white	770-121	100 (25)



Locking lever; for flying leads; tool operated		
Color	Item No.	PU (SPU)
● black	770-111	100 (25)
○ white	770-131	100 (25)



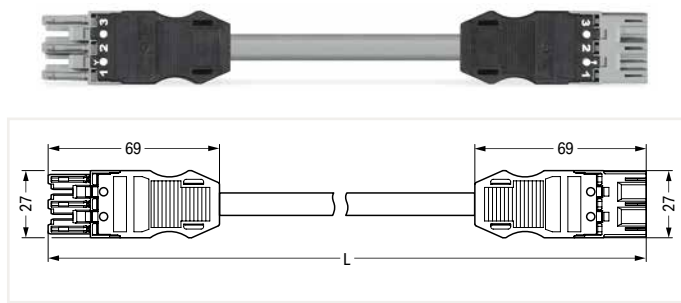
Mounting carrier; for flying leads; 2- to 5-pole		
Color	Item No.	PU
● black	770-310	25

PU = Packaging Unit; SPU = Subpackaging Unit; Dimensions in mm

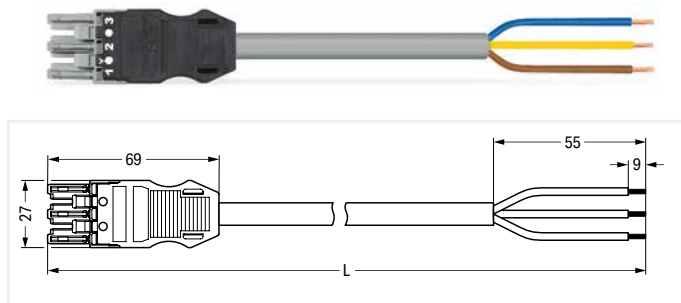
Cable Assembly ▶ WINSTA® MIDI ▶ 771 Series

Pole No.: 3 ▶ Protection type: IP20 ▶ Fire class per EN 50575: E_{ca} ▶ Coding: B ▶ 1.5 mm² ▶ Marking: 1 2 3 ▶ PVC ▶ Sheathed cable diameter: 7.4 ... 9.4 mm ▶ Control line 3 x 1.5 ▶ Measurement and regulation technology

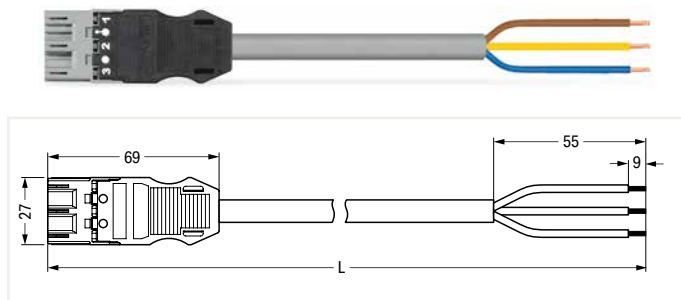
2



Interconnecting cable ▶ Socket - Plug				
Total length	Connector color/Strain relief color			PU
	gray/black	light green/black	pink/black	
1 m	771-9993/006-103	771-9993/006-105	771-9993/006-107	1
2 m	771-9993/006-203	771-9993/006-205	771-9993/006-207	1
3 m	771-9993/006-303	771-9993/006-305	771-9993/006-307	1
4 m	771-9993/006-403	771-9993/006-405	771-9993/006-407	1
5 m	771-9993/006-503	771-9993/006-505	771-9993/006-507	1
6 m	771-9993/006-603	771-9993/006-605	771-9993/006-607	1
7 m	771-9993/006-703	771-9993/006-705	771-9993/006-707	1
8 m	771-9993/006-803	771-9993/006-805	771-9993/006-807	1



Connecting cable ▶ Socket - Free end ▶ Strip length (outer insulation): 55 mm				
Total length	Connector color/Strain relief color			PU
	gray/black	light green/black	pink/black	
1 m	771-9993/106-103	771-9993/106-105	771-9993/106-107	1
2 m	771-9993/106-203	771-9993/106-205	771-9993/106-207	1
3 m	771-9993/106-303	771-9993/106-305	771-9993/106-307	1
4 m	771-9993/106-403	771-9993/106-405	771-9993/106-407	1
5 m	771-9993/106-503	771-9993/106-505	771-9993/106-507	1
6 m	771-9993/106-603	771-9993/106-605	771-9993/106-607	1
7 m	771-9993/106-703	771-9993/106-705	771-9993/106-707	1
8 m	771-9993/106-803	771-9993/106-805	771-9993/106-807	1



Connecting cable ▶ Plug - Free end ▶ Strip length (outer insulation): 55 mm				
Total length	Connector color/Strain relief color			PU
	gray/black	light green/black	pink/black	
1 m	771-9993/206-103	771-9993/206-105	771-9993/206-107	1
2 m	771-9993/206-203	771-9993/206-205	771-9993/206-207	1
3 m	771-9993/206-303	771-9993/206-305	771-9993/206-307	1
4 m	771-9993/206-403	771-9993/206-405	771-9993/206-407	1
5 m	771-9993/206-503	771-9993/206-505	771-9993/206-507	1
6 m	771-9993/206-603	771-9993/206-605	771-9993/206-607	1
7 m	771-9993/206-703	771-9993/206-705	771-9993/206-707	1
8 m	771-9993/206-803	771-9993/206-805	771-9993/206-807	1

Accessories; for all products on this page



Locking lever; for flying leads; manually operated		
Color	Item No.	PU (SPU)
● black	770-101	100 (25)
○ white	770-121	100 (25)



Locking lever; for flying leads; tool operated		
Color	Item No.	PU (SPU)
● black	770-111	100 (25)
○ white	770-131	100 (25)

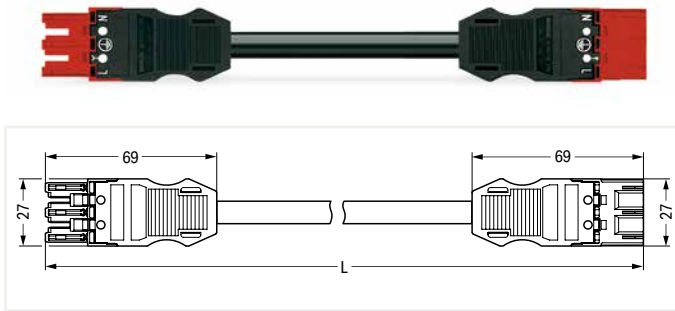


Mounting carrier; for flying leads; 2- to 5-pole		
Color	Item No.	PU
● black	770-310	25

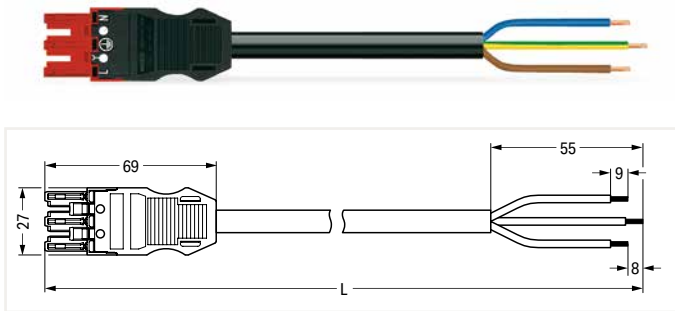
PU = Packaging Unit; SPU = Subpackaging Unit; Dimensions in mm

Cable Assembly ▶ WINSTA® MIDI ▶ 771 Series

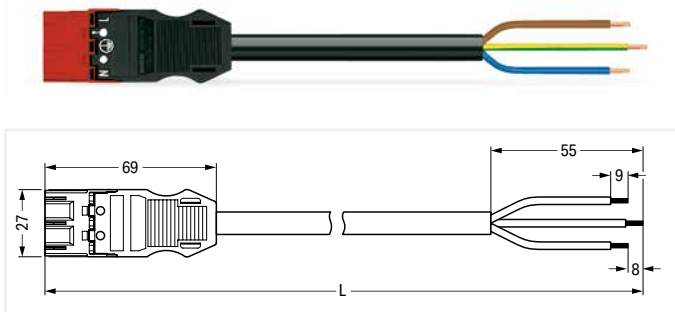
Pole No.: 3 ▶ Protection type: IP20 ▶ Fire class per EN 50575: E_{ca} ▶ Coding: P ▶ 1.5 mm² ▶ Marking: L ⊕ N ▶ PVC ▶ Sheathed cable diameter: 7.4 ... 9.4 mm ▶ H05VV-F 3G1.5 ▶ EDV (UPS)



Total length	Connector color/Strain relief color		PU
	red/black	red/white	
1 m	771-9973/006-101	771-9973/006-102	1
2 m	771-9973/006-201	771-9973/006-202	1
3 m	771-9973/006-301	771-9973/006-302	1
4 m	771-9973/006-401	771-9973/006-402	1
5 m	771-9973/006-501	771-9973/006-502	1
6 m	771-9973/006-601	771-9973/006-602	1
7 m	771-9973/006-701	771-9973/006-702	1
8 m	771-9973/006-801	771-9973/006-802	1



Total length	Connector color/Strain relief color		PU
	red/black	red/white	
1 m	771-9973/106-101	771-9973/106-102	1
2 m	771-9973/106-201	771-9973/106-202	1
3 m	771-9973/106-301	771-9973/106-302	1
4 m	771-9973/106-401	771-9973/106-402	1
5 m	771-9973/106-501	771-9973/106-502	1
6 m	771-9973/106-601	771-9973/106-602	1
7 m	771-9973/106-701	771-9973/106-702	1
8 m	771-9973/106-801	771-9973/106-802	1



Total length	Connector color/Strain relief color		PU
	red/black	red/white	
1 m	771-9973/206-101	771-9973/206-102	1
2 m	771-9973/206-201	771-9973/206-202	1
3 m	771-9973/206-301	771-9973/206-302	1
4 m	771-9973/206-401	771-9973/206-402	1
5 m	771-9973/206-501	771-9973/206-502	1
6 m	771-9973/206-601	771-9973/206-602	1
7 m	771-9973/206-701	771-9973/206-702	1
8 m	771-9973/206-801	771-9973/206-802	1

Accessories; for all products on this page



Locking lever; for flying leads; manually operated		
Color	Item No.	PU (SPU)
● black	770-101	100 (25)
○ white	770-121	100 (25)



Locking lever; for flying leads; tool operated		
Color	Item No.	PU (SPU)
● black	770-111	100 (25)
○ white	770-131	100 (25)



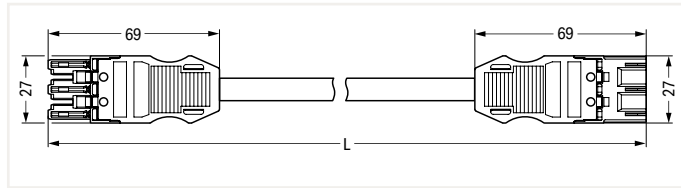
Mounting carrier; for flying leads; 2- to 5-pole		
Color	Item No.	PU
● black	770-310	25

PU = Packaging Unit; SPU = Subpackaging Unit; Dimensions in mm

Cable Assembly ▶ WINSTA® MIDI ▶ 771 Series

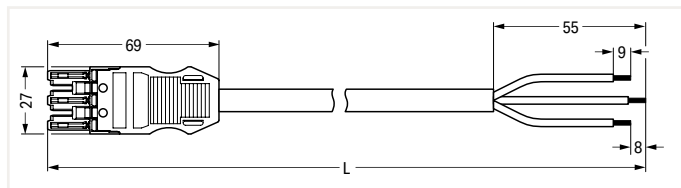
Pole No.: 3 ▶ Protection type: IP20 ▶ Fire class per EN 50575: E_{ca} ▶ Coding: P ▶ 1.5 mm² ▶ Marking: L ⊕ N ▶ Halogen-free ▶ Sheathed cable diameter: 7.4 ... 9.4 mm ▶ H05Z1Z1-F 3G1.5 ▶ EDV (UPS)

2



Interconnecting cable ▶ Socket - Plug

Total length	Connector color/Strain relief color		PU
	red/black	red/white	
1 m	771-9973/016-101	771-9973/016-102	1
2 m	771-9973/016-201	771-9973/016-202	1
3 m	771-9973/016-301	771-9973/016-302	1
4 m	771-9973/016-401	771-9973/016-402	1
5 m	771-9973/016-501	771-9973/016-502	1
6 m	771-9973/016-601	771-9973/016-602	1
7 m	771-9973/016-701	771-9973/016-702	1
8 m	771-9973/016-801	771-9973/016-802	1



Connecting cable ▶ Socket - Free end ▶ Strip length (outer insulation): 55 mm

Total length	Connector color/Strain relief color		PU
	red/black	red/white	
1 m	771-9973/116-101	771-9973/116-102	1
2 m	771-9973/116-201	771-9973/116-202	1
3 m	771-9973/116-301	771-9973/116-302	1
4 m	771-9973/116-401	771-9973/116-402	1
5 m	771-9973/116-501	771-9973/116-502	1
6 m	771-9973/116-601	771-9973/116-602	1
7 m	771-9973/116-701	771-9973/116-702	1
8 m	771-9973/116-801	771-9973/116-802	1



Connecting cable ▶ Plug - Free end ▶ Strip length (outer insulation): 55 mm

Total length	Connector color/Strain relief color		PU
	red/black	red/white	
1 m	771-9973/216-101	771-9973/216-102	1
2 m	771-9973/216-201	771-9973/216-202	1
3 m	771-9973/216-301	771-9973/216-302	1
4 m	771-9973/216-401	771-9973/216-402	1
5 m	771-9973/216-501	771-9973/216-502	1
6 m	771-9973/216-601	771-9973/216-602	1
7 m	771-9973/216-701	771-9973/216-702	1
8 m	771-9973/216-801	771-9973/216-802	1

Accessories; for all products on this page



Locking lever; for flying leads; manually operated		
Color	Item No.	PU (SPU)
● black	770-101	100 (25)
○ white	770-121	100 (25)



Locking lever; for flying leads; tool operated		
Color	Item No.	PU (SPU)
● black	770-111	100 (25)
○ white	770-131	100 (25)

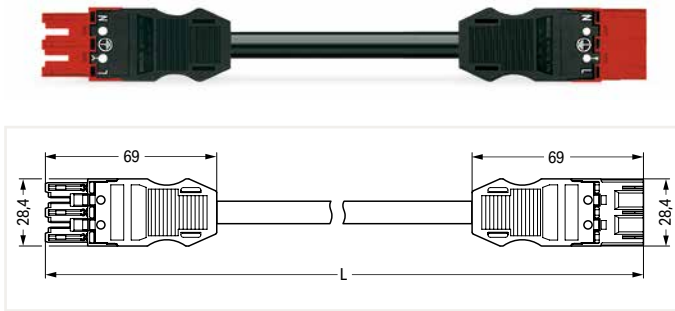


Mounting carrier; for flying leads; 2- to 5-pole		
Color	Item No.	PU
● black	770-310	25

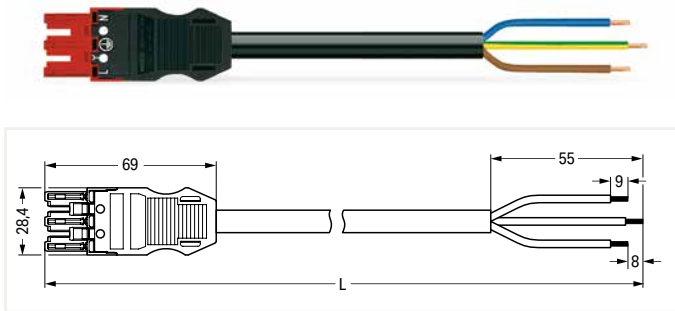
PU = Packaging Unit; SPU = Subpackaging Unit; Dimensions in mm

Cable Assembly ▶ WINSTA® MIDI ▶ 771 Series

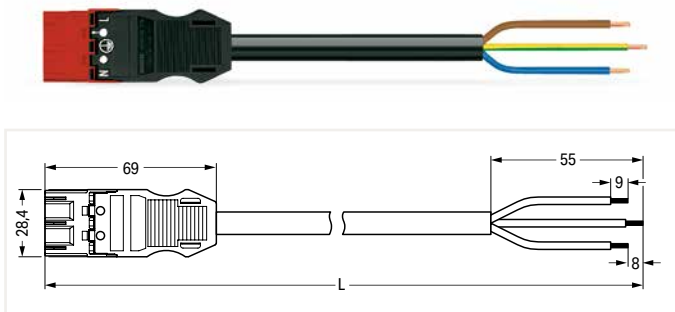
Pole No.: 3 ▶ Protection type: IP20 ▶ Fire class per EN 50575: E_{ca} ▶ Coding: P ▶ 2.5 mm² ▶ Marking: L ⊕ N ▶ PVC ▶ Sheathed cable diameter: 9.2 ... 11.4 mm ▶ H05VV-F 3G2.5 ▶ EDV (UPS)



Interconnecting cable ▶ Socket - Plug			
Total length	Connector color/Strain relief color		PU
	red/black	red/white	
1 m	771-9973/007-101	771-9973/007-102	1
2 m	771-9973/007-201	771-9973/007-202	1
3 m	771-9973/007-301	771-9973/007-302	1
4 m	771-9973/007-401	771-9973/007-402	1
5 m	771-9973/007-501	771-9973/007-502	1
6 m	771-9973/007-601	771-9973/007-602	1
7 m	771-9973/007-701	771-9973/007-702	1
8 m	771-9973/007-801	771-9973/007-802	1



Connecting cable ▶ Socket - Free end ▶ Strip length (outer insulation): 55 mm			
Total length	Connector color/Strain relief color		PU
	red/black	red/white	
1 m	771-9973/107-101	771-9973/107-102	1
2 m	771-9973/107-201	771-9973/107-202	1
3 m	771-9973/107-301	771-9973/107-302	1
4 m	771-9973/107-401	771-9973/107-402	1
5 m	771-9973/107-501	771-9973/107-502	1
6 m	771-9973/107-601	771-9973/107-602	1
7 m	771-9973/107-701	771-9973/107-702	1
8 m	771-9973/107-801	771-9973/107-802	1



Connecting cable ▶ Plug - Free end ▶ Strip length (outer insulation): 55 mm			
Total length	Connector color/Strain relief color		PU
	red/black	red/white	
1 m	771-9973/207-101	771-9973/207-102	1
2 m	771-9973/207-201	771-9973/207-202	1
3 m	771-9973/207-301	771-9973/207-302	1
4 m	771-9973/207-401	771-9973/207-402	1
5 m	771-9973/207-501	771-9973/207-502	1
6 m	771-9973/207-601	771-9973/207-602	1
7 m	771-9973/207-701	771-9973/207-702	1
8 m	771-9973/207-801	771-9973/207-802	1

Accessories; for all products on this page



Locking lever; for flying leads; manually operated		
Color	Item No.	PU (SPU)
● black	770-101	100 (25)
○ white	770-121	100 (25)



Locking lever; for flying leads; tool operated		
Color	Item No.	PU (SPU)
● black	770-111	100 (25)
○ white	770-131	100 (25)



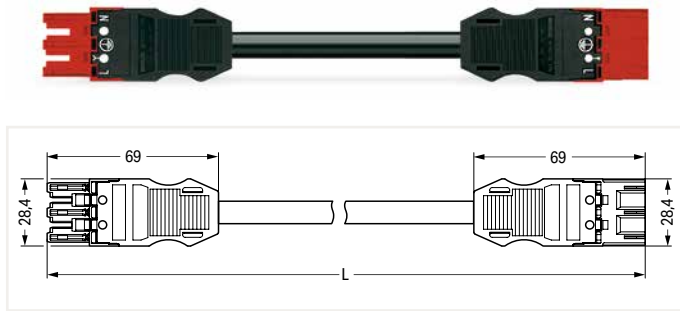
Mounting carrier; for flying leads; 2- to 5-pole		
Color	Item No.	PU
● black	770-310	25

PU = Packaging Unit; SPU = Subpackaging Unit; Dimensions in mm

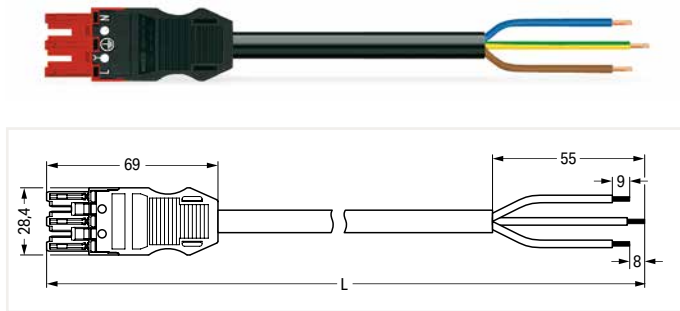
Cable Assembly ▶ WINSTA® MIDI ▶ 771 Series

Pole No.: 3 ▶ Protection type: IP20 ▶ Fire class per EN 50575: E_{ca} ▶ Coding: P ▶ 2.5 mm² ▶ Marking: L ⊕ N ▶ Halogen-free ▶ Sheathed cable diameter: 9.2 ... 11.4 mm ▶ H05Z1Z1-F 3G2.5 ▶ EDV (UPS)

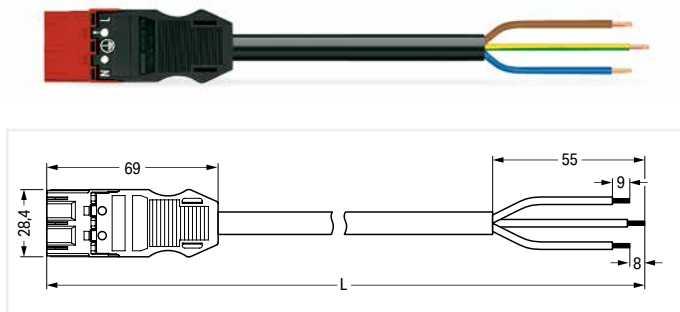
2



Interconnecting cable ▶ Socket - Plug			
Total length	Connector color/Strain relief color		PU
	red/black	red/white	
1 m	771-9973/017-101	771-9973/017-102	1
2 m	771-9973/017-201	771-9973/017-202	1
3 m	771-9973/017-301	771-9973/017-302	1
4 m	771-9973/017-401	771-9973/017-402	1
5 m	771-9973/017-501	771-9973/017-502	1
6 m	771-9973/017-601	771-9973/017-602	1
7 m	771-9973/017-701	771-9973/017-702	1
8 m	771-9973/017-801	771-9973/017-802	1



Connecting cable ▶ Socket - Free end ▶ Strip length (outer insulation): 55 mm			
Total length	Connector color/Strain relief color		PU
	red/black	red/white	
1 m	771-9973/117-101	771-9973/117-102	1
2 m	771-9973/117-201	771-9973/117-202	1
3 m	771-9973/117-301	771-9973/117-302	1
4 m	771-9973/117-401	771-9973/117-402	1
5 m	771-9973/117-501	771-9973/117-502	1
6 m	771-9973/117-601	771-9973/117-602	1
7 m	771-9973/117-701	771-9973/117-702	1
8 m	771-9973/117-801	771-9973/117-802	1



Connecting cable ▶ Plug - Free end ▶ Strip length (outer insulation): 55 mm			
Total length	Connector color/Strain relief color		PU
	red/black	red/white	
1 m	771-9973/217-101	771-9973/217-102	1
2 m	771-9973/217-201	771-9973/217-202	1
3 m	771-9973/217-301	771-9973/217-302	1
4 m	771-9973/217-401	771-9973/217-402	1
5 m	771-9973/217-501	771-9973/217-502	1
6 m	771-9973/217-601	771-9973/217-602	1
7 m	771-9973/217-701	771-9973/217-702	1
8 m	771-9973/217-801	771-9973/217-802	1

Accessories; for all products on this page



Locking lever; for flying leads; manually operated		
Color	Item No.	PU (SPU)
● black	770-101	100 (25)
○ white	770-121	100 (25)



Locking lever; for flying leads; tool operated		
Color	Item No.	PU (SPU)
● black	770-111	100 (25)
○ white	770-131	100 (25)

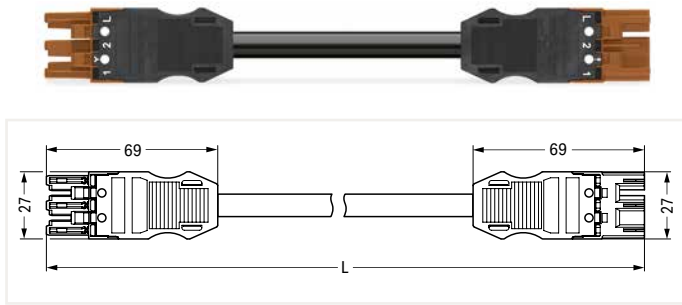


Mounting carrier; for flying leads; 2- to 5-pole		
Color	Item No.	PU
● black	770-310	25

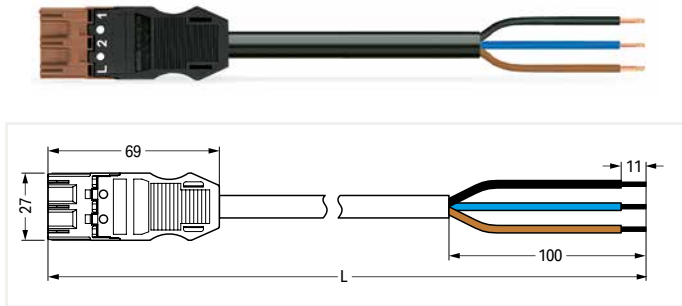
PU = Packaging Unit; SPU = Subpackaging Unit; Dimensions in mm

Cable Assembly ▶ WINSTA® MIDI ▶ 771 Series

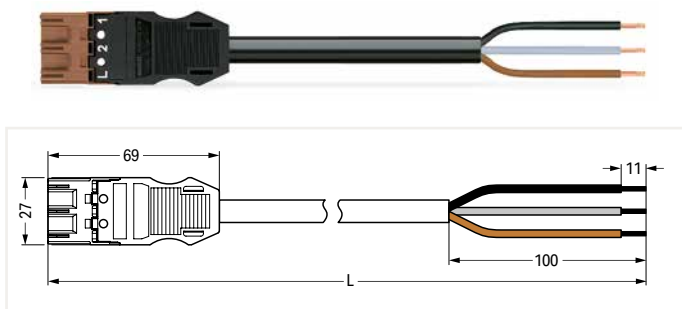
Pole No.: 3 ▶ Protection type: IP20 ▶ Fire class per EN 50575: E_{ca} ▶ Coding: S ▶ 1.5 mm² ▶ Marking: 1 2 L ▶ PVC ▶ Sheathed cable diameter: 7.4 ... 9.4 mm ▶ H05VV-F 3x1.5 ▶ Switching function



Interconnecting cable ▶ Socket - Plug				
Total length	Connector color/Strain relief color			PU
	brown/black			
1 m	771-9973/006-105			1
2 m	771-9973/006-205			1
3 m	771-9973/006-305			1
4 m	771-9973/006-405			1
5 m	771-9973/006-505			1
6 m	771-9973/006-605			1
7 m	771-9973/006-705			1
8 m	771-9973/006-805			1



Connecting cable ▶ Plug - Free end ▶ Strip length (outer insulation): 100 mm ▶ for distribution connectors (motion sensors)				
Total length	Connector color/Strain relief color			PU
	brown/black			
1 m	771-9973/206-104			1
2 m	771-9973/206-204			1
3 m	771-9973/206-304			1
4 m	771-9973/206-404			1
5 m	771-9973/206-504			1
6 m	771-9973/206-604			1
7 m	771-9973/206-704			1
8 m	771-9973/206-804			1



Connecting cable ▶ Plug - Free end ▶ Strip length (outer insulation): 100 mm ▶ for distribution connectors; series and two-way circuits				
Total length	Connector color/Strain relief color			PU
	brown/black			
1 m	771-9973/206-105			1
2 m	771-9973/206-205			1
3 m	771-9973/206-305			1
4 m	771-9973/206-405			1
5 m	771-9973/206-505			1
6 m	771-9973/206-605			1
7 m	771-9973/206-705			1
8 m	771-9973/206-805			1

2

Accessories; for all products on this page



Locking lever; for flying leads; manually operated		
Color	Item No.	PU (SPU)
● black	770-101	100 (25)
○ white	770-121	100 (25)



Locking lever; for flying leads; tool operated		
Color	Item No.	PU (SPU)
● black	770-111	100 (25)
○ white	770-131	100 (25)



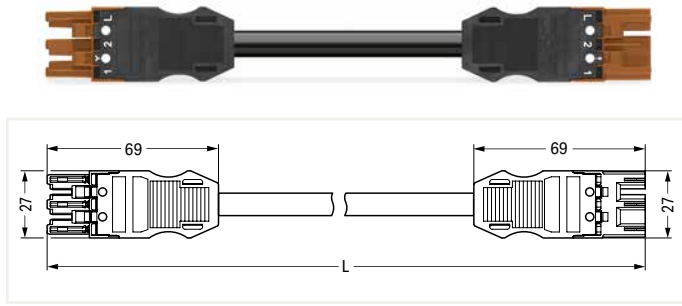
Mounting carrier; for flying leads; 2- to 5-pole		
Color	Item No.	PU
● black	770-310	25

PU = Packaging Unit; SPU = Subpackaging Unit; Dimensions in mm

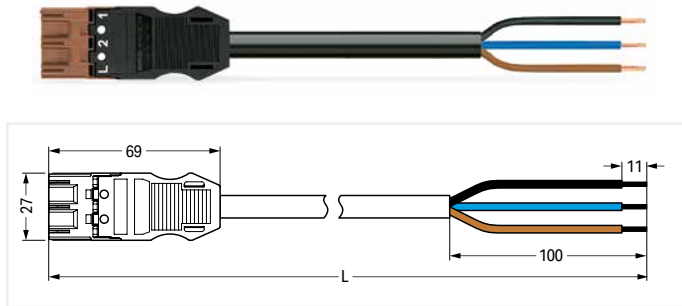
Cable Assembly ▶ WINSTA® MIDI ▶ 771 Series

Pole No.: 3 ▶ Protection type: IP20 ▶ Fire class per EN 50575: E_{ca} ▶ Coding: S ▶ 1.5 mm² ▶ Marking: 1 2 L ▶ Halogen-free ▶ Sheathed cable diameter: 7.4 ... 9.4 mm ▶ H05Z1Z1-F 3x1.5 ▶ Switching function

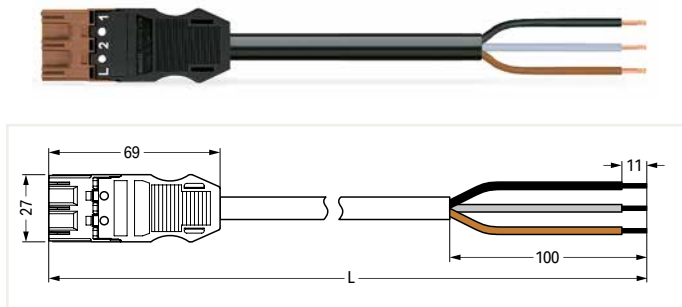
2



Interconnecting cable ▶ Socket - Plug			
Total length	Connector color/Strain relief color		PU
	brown	black	
1 m	771-9973/016-105		1
2 m	771-9973/016-205		1
3 m	771-9973/016-305		1
4 m	771-9973/016-405		1
5 m	771-9973/016-505		1
6 m	771-9973/016-605		1
7 m	771-9973/016-705		1
8 m	771-9973/016-805		1



Connecting cable ▶ Plug - Free end ▶ Strip length (outer insulation): 100 mm ▶ for distribution connectors (motion sensors)			
Total length	Connector color/Strain relief color		PU
	brown	black	
1 m	771-9973/216-104		1
2 m	771-9973/216-204		1
3 m	771-9973/216-304		1
4 m	771-9973/216-404		1
5 m	771-9973/216-504		1
6 m	771-9973/216-604		1
7 m	771-9973/216-704		1
8 m	771-9973/216-804		1



Connecting cable ▶ Plug - Free end ▶ Strip length (outer insulation): 100 mm ▶ for distribution connectors; series and two-way circuits			
Total length	Connector color/Strain relief color		PU
	brown	black	
1 m	771-9973/216-105		1
2 m	771-9973/216-205		1
3 m	771-9973/216-305		1
4 m	771-9973/216-405		1
5 m	771-9973/216-505		1
6 m	771-9973/216-605		1
7 m	771-9973/216-705		1
8 m	771-9973/216-805		1

Accessories; for all products on this page



Locking lever; for flying leads; manually operated		
Color	Item No.	PU (SPU)
● black	770-101	100 (25)
○ white	770-121	100 (25)



Locking lever; for flying leads; tool operated		
Color	Item No.	PU (SPU)
● black	770-111	100 (25)
○ white	770-131	100 (25)



Mounting carrier; for flying leads; 2- to 5-pole		
Color	Item No.	PU
● black	770-310	25

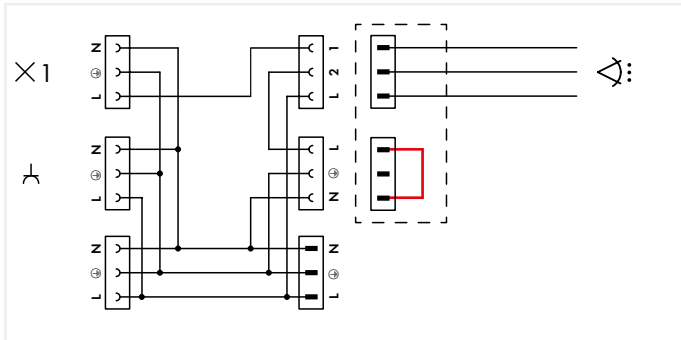
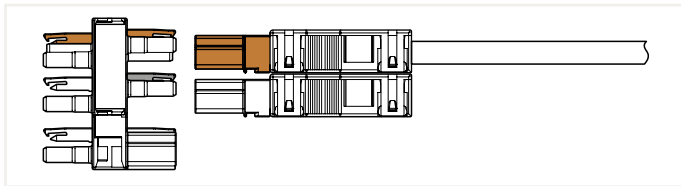
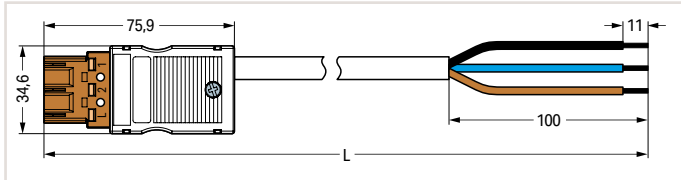
PU = Packaging Unit; SPU = Subpackaging Unit; Dimensions in mm

Cable Assembly ▶ WINSTA® MIDI ▶ 771 Series

No. of poles: 3 ▶ Protection type: IP20 ▶ Fire class per EN 50575: E_{ca} ▶ Coding: A + S ▶ 1.5 mm² ▶ PVC ▶ Sheathed cable diameter: 7.4 ... 9.4 ▶ H05VV-F 3x1.5 ▶ Switching function



Connecting cable ▶ plug/plug – free end			
Length	Connector color/Strain relief color		PU
	black/black		
3 m	771-5001/106-000		1
4 m	771-5001/107-000		1



This cable combines a standard S-coded cable with an A-coded shorting plug. Both strain relief housings are locked together.
 A motion detector or switch with signal lamp can be directly connected using a cable equipped with 770-637 Distribution Connector.

2

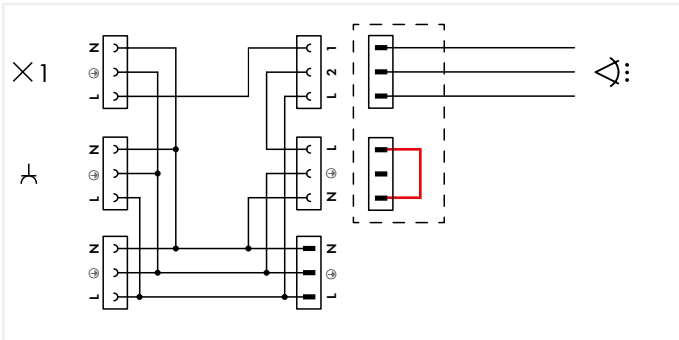
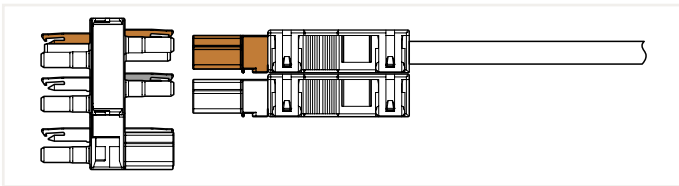
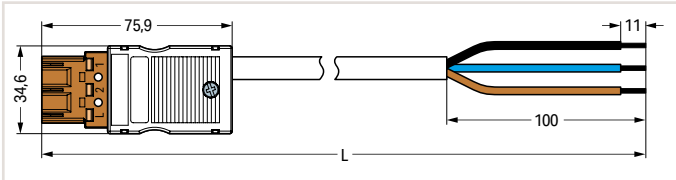
Cable Assembly ▶ WINSTA® MIDI ▶ 771 Series

No. of poles: 3 ▶ Protection type: IP20 ▶ Fire class per EN 50575: E_{ca} ▶ Coding: A + S ▶ 1.5 mm² ▶ Halogen-free ▶ Sheathed cable diameter: 7.4 ... 9.4 ▶ H05VV-F 3x1.5 ▶ Switching function



Connecting cable ▶ plug/plug – free end			
Length	Connector color/Strain relief color		PU
	black/black		
3 m	771-5001/131-000		1
4 m	771-5001/132-000		1

2



This cable combines a standard S-coded cable with an A-coded shorting plug. Both strain relief housings are locked together. A motion detector or switch with signal lamp can be directly connected using a cable equipped with 770-637 Distribution Connector.

Pluggable Connector ▶ WINSTA® MIDI ▶ 770 Series

Pole No.: 4 ▶ Number of connection points: 2 ▶ Protection type: IP20



- Protected against mismatching and maintenance-free
- Push-in CAGE CLAMP® spring pressure connection technology allows solid conductors to be simply pushed into a unit
- Two-wire connection per pole for loops or bridges
- Additional variable coding is possible

Electrical Data						
Coding	A;B			Q		
Ratings per	IEC/EN 60664-1			IEC/EN 60664-1		
Overvoltage category	III	III	II	III	III	II
Pollution degree	3	2	2	3	2	2
Rated voltage	400 V	-	-	400 V	-	-
Rated impulse voltage	6 kV	-	-	6 kV	-	-
Rated current	25 A	-	-	32 A	-	-
Approbations per	UL 1977			UL 1977		
Rated voltage	600 V			600 V		
Rated current	23 A			23 A		

Connection Data	
Connection technology	Push-in CAGE CLAMP®
Strip length	9 mm / 0.35 inch
Nominal cross-section	4 mm ²
Solid conductor	0.5 ... 4 mm ² / 20 ... 12 AWG
Solid conductor; push-in termination	1.5 ... 4 mm ² / 16 ... 12 AWG
Stranded conductor	0.5 ... 2.5 mm ² / 20 ... 14 AWG
Fine-stranded conductor	0.5 ... 4 mm ² / 20 ... 12 AWG
Fine-stranded conductor; with insulated ferrule	0.25 ... 1.5 mm ² / 20 ... 16 AWG
Fine-stranded conductor; with uninsulated ferrule	0.25 ... 2.5 mm ² / 20 ... 14 AWG
Fine-stranded conductor; with ferrule; push-in termination	1.5 mm ² / 16 AWG

Material Data	
Insulation material	Polyamide (PA66)
Clamping spring material	Chrome nickel spring steel (CrNi)
Contact material	Copper or copper alloy (surface-treated)

Mechanical Data	
Number of mating cycles	200, without resistive load
Mating force of a plug-in connection	approx. 20 ... 70 N (depending on pole number)
Unmating force of a plug-in connection	Unlocked: approx. 20 ... 70 N (depending on pole number)
Retention force of a plug-in connection	Locked: > 80 N
Protection type	IP20
Note on protection type	When mated and secured with a strain relief housing: IP2xC (These compact connectors are not designed for use in open, easily accessible areas!)

Environmental Requirements	
Processing temperature	-5 ... +40 °C
Continuous operating temperature	-35 ... +85 °C
Note on continuous operating temperature	Insulating parts for temperatures ≤ 105 °C

All WINSTA® components are 100% protected against mismatching when:

- plugging different numbers of poles
- plugging while rotated 180
- plugging while laterally staggered
- plugging one pole

Cover	Page 380
Marking	Page 405
Tool	Page 400
See technical section for further information	
For approvals and corresponding ratings, visit www.wago.com	

Pluggable Connector ▶ WINSTA® MIDI ▶ 770 Series

Pole No.: 4 ▶ Number of connection points: 2 ▶ Protection type: IP20

Strain relief housing ▶ Female connector/socket ▶ Strip length (outer insulation): 55 mm ▶ Connectable sheathed cable diameter : 9 ... 13 mm

Strain relief housing ▶ Male connector/plug ▶ Strip length (outer insulation): 55 mm ▶ Connectable sheathed cable diameter : 9 ... 13 mm



770-104

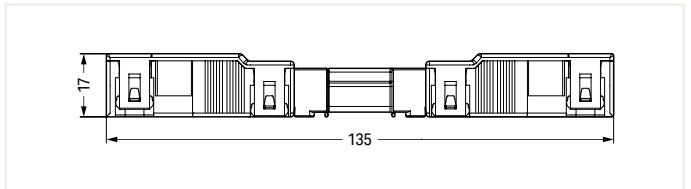
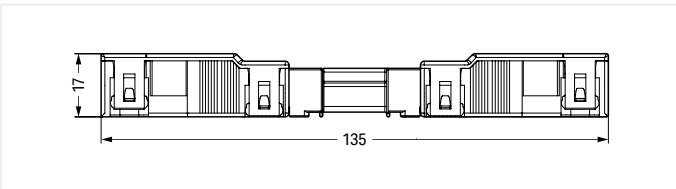
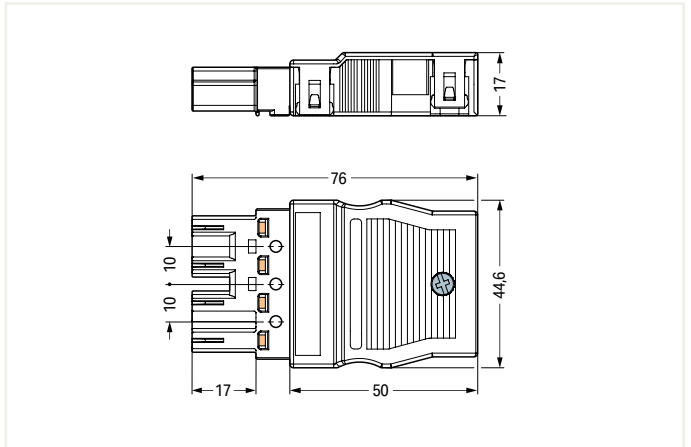
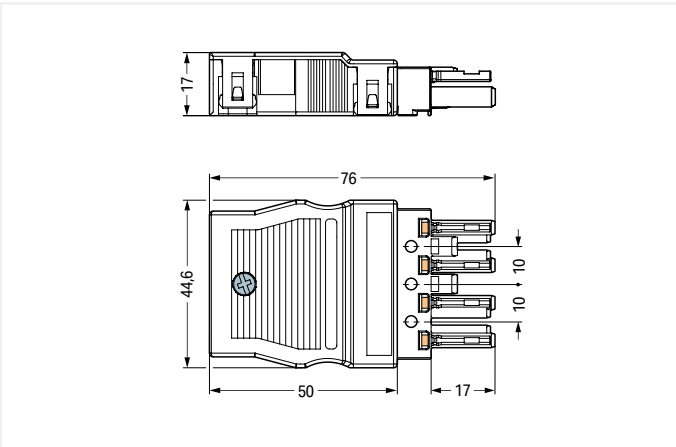
770-114

General mains applications

Color	Coding	Marking	Item No.	PU
● black	A	N ⊕ 2/L 1/L'	770-104	25
○ white	A	N ⊕ 2/L 1/L'	770-124	25

General mains applications

Color	Coding	Marking	Item No.	PU
● black	A	N ⊕ 2/L 1/L'	770-114	25
○ white	A	N ⊕ 2/L 1/L'	770-134	25



Overall length when mated

Overall length when mated

Item-Specific Accessories



Lockout cap; for socket; separable; Pole No.: 12

Color	Item No.	PU
● black	770-201	100
○ white	770-221	100



Lockout cap; for plugs; separable; Pole No.: 5

Color	Item No.	PU
● yellow	770-360	100

Accessories; for all products on this page



Locking lever; for flying leads; manually operated

Color	Item No.	PU (SPU)
● black	770-101	100 (25)
○ white	770-121	100 (25)



Locking lever; for flying leads; tool operated

Color	Item No.	PU (SPU)
● black	770-111	100 (25)
○ white	770-131	100 (25)

PU = Packaging Unit; SPU = Subpackaging Unit; Dimensions in mm

Pluggable Connector ▶ WINSTA® MIDI ▶ 770 Series

Pole No.: 4 ▶ Number of connection points: 2 ▶ Protection type: IP20

Female connector/socket



770-204

General mains applications

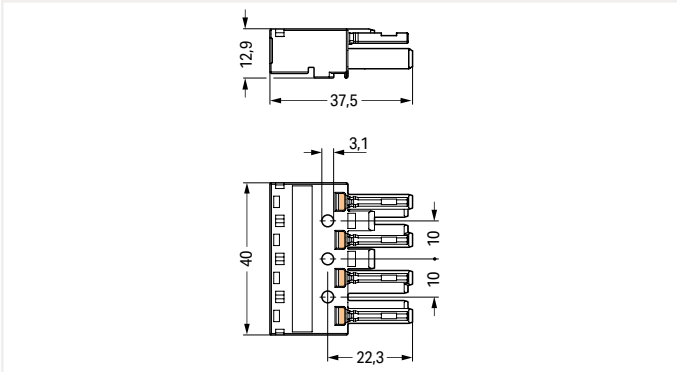
Color	Coding	Marking	Item No.	PU
● black	A	N ⊕ 2/L 1/L'	770-204	50
○ white	A	N ⊕ 2/L 1/L'	770-224	50

For „Clean Ground“ applications

Color	Coding	Marking	Item No.	PU
● green	Q	N PE1 PE2 L	770-1324	50

Measurement and regulation technology

Color	Coding	Marking	Item No.	PU
● gray	B	1 2 3 4	770-244	50
● gray	B	N ⊕ 2/L 1/L'	770-244/060-000	50
● gray	B	3 ⊕ 2 1	770-244/062-000	50
● gray	B	2L ⊕ 1L L	770-244/064-000	50
● light green	B	1 2 3 4	770-264	50
● light green	B	U- S U+ X/Y	770-264/071-000	50
● light green	B	U- U+ DI AI	770-264/072-000	50
● light green	B	1 ⊕ 2 3	770-264/073-000	50
● pink	B	1 2 3 4	770-284	50
● pink	B	1 2 5 3	770-284/081-000	50



Accessories; for all products on this page



Locking lever; for flying leads; manually operated

Color	Item No.	PU (SPU)
● black	770-101	100 (25)
○ white	770-121	100 (25)



Locking lever; for flying leads; tool operated

Color	Item No.	PU (SPU)
● black	770-111	100 (25)
○ white	770-131	100 (25)



Lockout cap; for socket; separable; Pole No.: 12

Color	Item No.	PU
● black	770-201	100
○ white	770-221	100



Strain relief housing; Connectable sheathed cable diameter: 9 ... 13 mm; Strip length (outer insulation): 55 mm

Color	Item No.	PU
● black	770-504	25
○ white	770-514	25



Strain relief housing; Connectable sheathed cable diameter: 5 ... 9 mm; Strip length (outer insulation): 55 mm

Color	Item No.	PU
● black	770-504/023-000	25
○ white	770-514/023-000	25

PU = Packaging Unit; SPU = Subpackaging Unit; Dimensions in mm

Pluggable Connector ▶ WINSTA® MIDI ▶ 770 Series

Pole No.: 4 ▶ Number of connection points: 2 ▶ Protection type: IP20

Male connector/plug



770-214

General mains applications

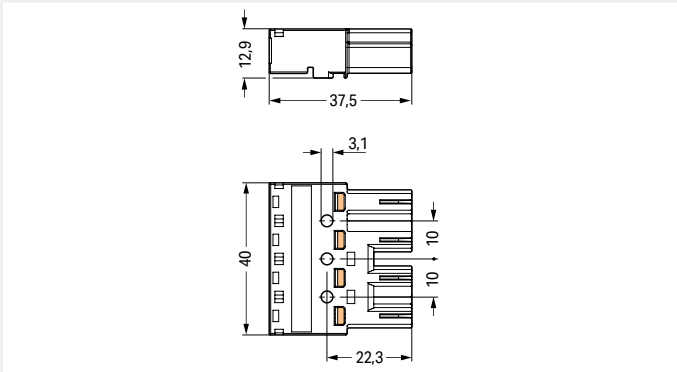
Color	Coding	Marking	Item No.	PU
● black	A	N ⊕ 2/L 1/L'	770-214	50
○ white	A	N ⊕ 2/L 1/L'	770-234	50

For „Clean Ground“ applications

Color	Coding	Marking	Item No.	PU
● green	Q	N PE1 PE2 L	770-1334	50

Measurement and regulation technology

Color	Coding	Marking	Item No.	PU
● gray	B	1 2 3 4	770-254	50
● gray	B	N ⊕ 2/L 1/L'	770-254/060-000	50
● gray	B	3 ⊕ 2 1	770-254/062-000	50
● gray	B	2L ⊕ 1L L	770-254/064-000	50
● light green	B	1 2 3 4	770-274	50
● light green	B	U- S U+ X/Y	770-274/071-000	50
● light green	B	U- U+ DI AI	770-274/072-000	50
● light green	B	1 ⊕ 2 3	770-274/073-000	50
● pink	B	1 2 3 4	770-294	50
● pink	B	1 2 5 3	770-294/081-000	50



Accessories; for all products on this page



Locking lever; for flying leads; manually operated

Color	Item No.	PU (SPU)
● black	770-101	100 (25)
○ white	770-121	100 (25)



Locking lever; for flying leads; tool operated

Color	Item No.	PU (SPU)
● black	770-111	100 (25)
○ white	770-131	100 (25)



Lockout cap; for plugs; separable; Pole No.: 5

Color	Item No.	PU
● yellow	770-360	100



Strain relief housing; Connectable sheathed cable diameter: 9 ... 13 mm; Strip length (outer insulation): 55 mm

Color	Item No.	PU
● black	770-504	25
○ white	770-514	25



Strain relief housing; Connectable sheathed cable diameter: 5 ... 9 mm; Strip length (outer insulation): 55 mm

Color	Item No.	PU
● black	770-504/023-000	25
○ white	770-514/023-000	25

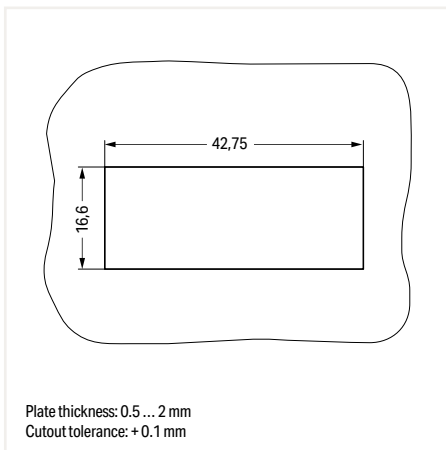
PU = Packaging Unit; SPU = Subpackaging Unit; Dimensions in mm

Snap-in Device Connector ▶ WINSTA® MIDI ▶ 770 Series

Pole No.: 4 ▶ Number of connection points: 2 ▶ Protection type: IP20



- Protected against mismatching and maintenance-free
- Push-in CAGE CLAMP® spring pressure connection technology allows solid conductors to be simply pushed into a unit.
- Two wire connections per pole for loops or bridges
- Additional variable coding is possible.



Electrical Data						
Coding	A;B			Q		
Ratings per	IEC/EN 60664-1			IEC/EN 60664-1		
Overvoltage category	III	III	II	III	III	II
Pollution degree	3	2	2	3	2	2
Rated voltage	400 V	-	-	400 V	-	-
Rated impulse voltage	6 kV	-	-	6 kV	-	-
Rated current	25 A	-	-	32 A	-	-
Approbations per	UL 1977			UL 1977		
Rated voltage	600 V			600 V		
Rated current	23 A			23 A		

Connection Data	
Connection technology	Push-in CAGE CLAMP®
Strip length	9 mm / 0.35 inch
Nominal cross-section	4 mm²
Solid conductor	0.5 ... 4 mm² / 20 ... 12 AWG
Solid conductor; push-in termination	1.5 ... 4 mm² / 16 ... 12 AWG
Stranded conductor	0.5 ... 2.5 mm² / 20 ... 14 AWG
Fine-stranded conductor	0.5 ... 4 mm² / 20 ... 12 AWG
Fine-stranded conductor; with insulated ferrule	0.25 ... 1.5 mm² / 20 ... 16 AWG
Fine-stranded conductor; with uninsulated ferrule	0.25 ... 2.5 mm² / 20 ... 14 AWG
Fine-stranded conductor; with ferrule; push-in termination	1.5 mm² / 16 AWG

Material Data	
Insulation material	Polyamide (PA66)
Clamping spring material	Chrome nickel spring steel (CrNi)
Contact material	Copper or copper alloy (surface-treated)

Mechanical Data	
Number of mating cycles	200, without resistive load
Mating force of a plug-in connection	approx. 20 ... 70 N (depending on pole number)
Unmating force of a plug-in connection	Unlocked: approx. 20 ... 70 N (depending on pole number)
Retention force of a plug-in connection	Locked: > 80 N
Protection type	IP20
Note on protection type	When mated: IP2xC (These compact connectors are not designed for use in open, easily accessible areas!)

Environmental Requirements	
Processing temperature	-5 ... +40 °C
Continuous operating temperature	-35 ... +85 °C
Note on continuous operating temperature	Insulating parts for temperatures ≤ 105 °C

All WINSTA® components are 100% protected against mismatching when:

- plugging different numbers of poles
- plugging while rotated 180
- plugging while laterally staggered
- plugging one pole

Coding Page 379

Tool Page 400

See technical section for further information

For approvals and corresponding ratings, visit www.wago.com

Snap-in Device Connector ▶ WINSTA® MIDI ▶ 770 Series

Pole No.: 4 ▶ Number of connection points: 2 ▶ Protection type: IP20

Female connector/socket



770-704

General mains applications

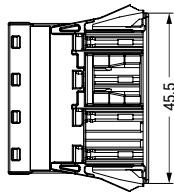
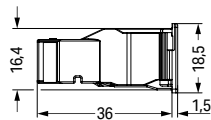
Color	Coding	Marking	Item No.	PU
● black	A	N ⊕ 2/L 1/L'	770-704	100
○ white	A	N ⊕ 2/L 1/L'	770-724	100

Measurement and regulation technology

Color	Coding	Marking	Item No.	PU
● gray	B	1 2 3 4	770-744	100
● gray	B	N ⊕ 2/L 1/L'	770-744/060-000	100
● gray	B	3 ⊕ 2 1	770-744/062-000	100
● gray	B	2L ⊕ 1LL	770-744/064-000	100
● light green	B	1 2 3 4	770-764	100
● light green	B	U- S U+ X/Y	770-764/071-000	100
● light green	B	U- U+ DI AI	770-764/072-000	100
● light green	B	1 ⊕ 2 3	770-764/073-000	100
● pink	B	1 2 3 4	770-784	100
● pink	B	1 2 5 3	770-784/081-000	100

For „Clean Ground“ applications

Color	Coding	Marking	Item No.	PU
● green	Q	N PE1 PE2 L	770-2324	100



Accessories; for all products on this page



Lockout cap; for socket; separable; Pole No.: 12

Color	Item No.	PU
● black	770-201	100
○ white	770-221	100



Lockout cap; for cutout; Pole No.: 4

Color	Item No.	PU
● black	770-644	100
○ white	770-694	100

PU = Packaging Unit; SPU = Subpackaging Unit; Dimensions in mm

Snap-in Device Connector ▶ WINSTA® MIDI ▶ 770 Series

Pole No.: 4 ▶ Number of connection points: 2 ▶ Protection type: IP20

Male connector/plug



770-714

General mains applications

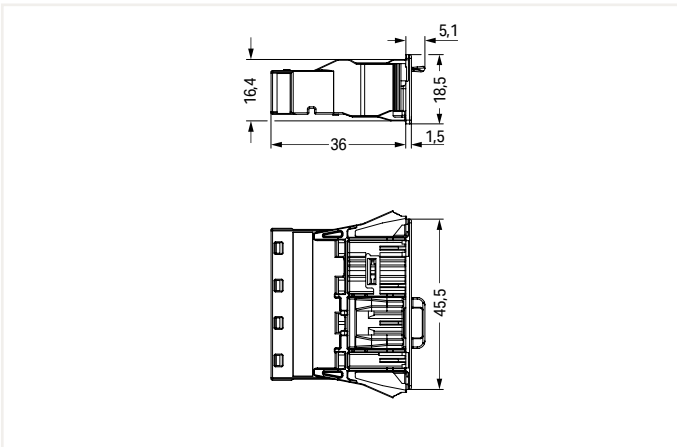
Color	Coding	Marking	Item No.	PU
● black	A	N ⊕ 2/L 1/L'	770-714	100
○ white	A	N ⊕ 2/L 1/L'	770-734	100

Measurement and regulation technology

Color	Coding	Marking	Item No.	PU
● gray	B	1 2 3 4	770-754	100
● gray	B	N ⊕ 2/L 1/L'	770-754/060-000	100
● gray	B	3 ⊕ 2 1	770-754/062-000	100
● gray	B	2L ⊕ 1L L	770-754/064-000	100
● light green	B	1 2 3 4	770-774	100
● light green	B	U- S U+ X/Y	770-774/071-000	100
● light green	B	U- U+ DI AI	770-774/072-000	100
● light green	B	1 ⊕ 2 3	770-774/073-000	100
● pink	B	1 2 3 4	770-794	100
● pink	B	1 2 5 3	770-794/081-000	100

For „Clean Ground“ applications

Color	Coding	Marking	Item No.	PU
● green	Q	N PE1 PE2 L	770-2334	100



Accessories; for all products on this page



Lockout cap; for plugs; separable; Pole No.: 5		
Color	Item No.	PU
● yellow	770-360	100



Lockout cap; for cutout; Pole No.: 4		
Color	Item No.	PU
● black	770-644	100
○ white	770-694	100

PU = Packaging Unit; SPU = Subpackaging Unit; Dimensions in mm

Snap-in Device Connector ▶ WINSTA® MIDI ▶ 770 Series

Pole No.: 4 ▶ Number of connection points: 2 ▶ Protection type: IP20

with protruding interface ▶ Female connector/socket

with direct ground contact ▶ Male connector/plug



770-704/009-000



770-714/007-000

General mains applications

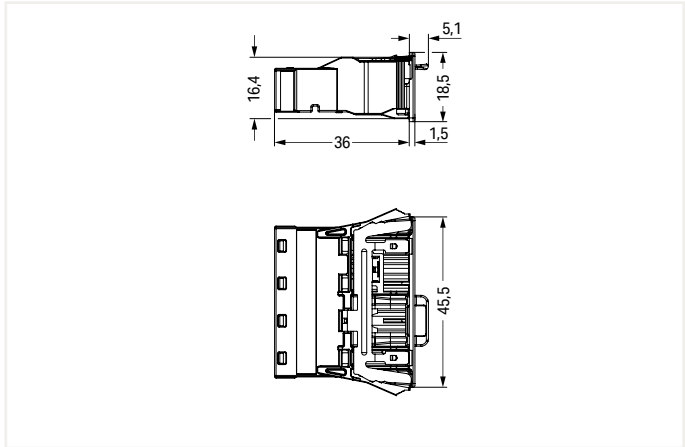
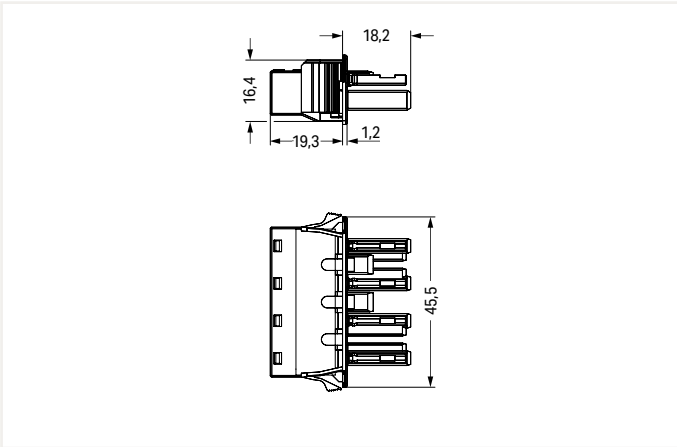
Color	Coding	Marking	Item No.	PU
● black	A	N ⊕ 2/L 1/L'	770-704/009-000	100
○ white	A	N ⊕ 2/L 1/L'	770-724/009-000	100

General mains applications

Color	Coding	Marking	Item No.	PU
● black	A	N ⊕ 2/L 1/L'	770-714/007-000	100
○ white	A	N ⊕ 2/L 1/L'	770-734/007-000	100

For „Clean Ground“ applications

Color	Coding	Marking	Item No.	PU
● green	Q	N PE1 PE2 L	770-2334/007-000	100



Item-Specific Accessories



Lockout cap; for socket; separable; Pole No.: 12

Color	Item No.	PU
● black	770-201	100
○ white	770-221	100

Item-Specific Accessories



Lockout cap; for plugs; separable; Pole No.: 5

Color	Item No.	PU
● yellow	770-360	100

Accessories; for all products on this page



Lockout cap; for cutout; Pole No.: 4

Color	Item No.	PU
● black	770-644	100
○ white	770-694	100

PU = Packaging Unit; SPU = Subpackaging Unit; Dimensions in mm

Pluggable PCB Connector ▶ WINSTA® MIDI ▶ 770 Series

Pole No.: 4



- Protected against mismatching and maintenance-free
- Push-in CAGE CLAMP® spring pressure connection technology allows solid conductors to be simply pushed into a unit.
- Two wire connections per pole for loops or bridges
- Additional variable coding is possible.

Electrical Data			
Coding	A;B		
Ratings per	IEC/EN 60664-1		
Overvoltage category	III	III	II
Pollution degree	3	2	2
Rated voltage	400 V	-	-
Rated impulse voltage	6 kV	-	-
Rated current	25 A	-	-
Approbations per	UL 1977		
Rated voltage	600 V		
Rated current	23 A		

Material Data	
Insulation material	Polyamide (PA66)
Clamping spring material	Chrome nickel spring steel (CrNi)
Contact material	Copper or copper alloy (surface-treated)

Mechanical Data	
Solder pin arrangement	2 in-line solder pins/pole
Solder pin length	3.5 mm
Solder pin dimensions	1 x 0.8 mm
Drilled hole diameter with tolerance	1.5 ^(+0.1...+0.1) mm
Number of mating cycles	200, without resistive load
Mating force of a plug-in connection	approx. 20 ... 70 N (depending on pole number)
Unmating force of a plug-in connection	Unlocked: approx. 20 ... 70 N (depending on pole number)
Retention force of a plug-in connection	Locked: > 80 N

Environmental Requirements	
Processing temperature	-5 ... +40 °C
Continuous operating temperature	-35 ... +85 °C
Note on continuous operating temperature	Insulating parts for temperatures ≤ 105 °C

All WINSTA® components are 100% protected against mismatching when:

- plugging different numbers of poles
- plugging while rotated 180
- plugging while laterally staggered
- plugging one pole

Coding Page 379

See technical section for further information

For approvals and corresponding ratings, visit www.wago.com

Pluggable PCB Connector ▶ WINSTA® MIDI ▶ 770 Series

Pole No.: 4

straight ▶ Female connector/socket



770-804

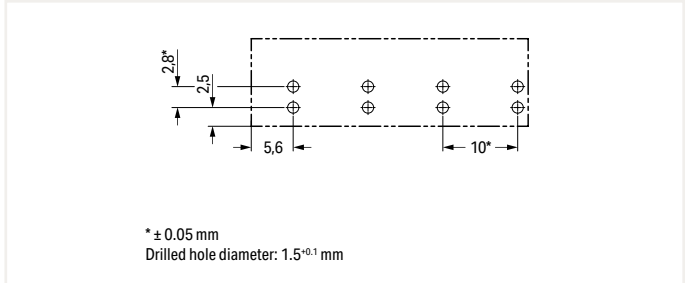
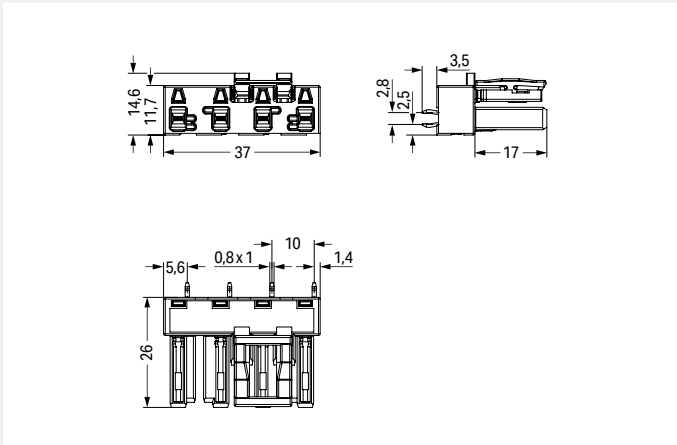
2

General mains applications

Color	Coding	Marking	Item No.	PU
● black	A	N ⊕ 2/L 1/L'	770-804	50
○ white	A	N ⊕ 2/L 1/L'	770-824	50

Measurement and regulation technology

Color	Coding	Marking	Item No.	PU
● gray	B	1 2 3 4	770-844	50
● gray	B	N ⊕ 2/L 1/L'	770-844/060-000	50
● gray	B	3 ⊕ 2 1	770-844/062-000	50
● gray	B	2L ⊕ 1LL	770-844/064-000	50
● light green	B	1 2 3 4	770-864	50
● light green	B	U- S U+ X/Y	770-864/071-000	50
● light green	B	U- U+ DI AI	770-864/072-000	50
● light green	B	1 ⊕ 2 3	770-864/073-000	50
● pink	B	1 2 3 4	770-884	50
● pink	B	1 2 5 3	770-884/081-000	50



Accessories; for all products on this page



Lockout cap; for socket; separable; Pole No.: 12

Color	Item No.	PU
● black	770-201	100
○ white	770-221	100

PU = Packaging Unit; SPU = Subpackaging Unit; Dimensions in mm

Pluggable PCB Connector ▶ WINSTA® MIDI ▶ 770 Series

Pole No.: 4

straight ▶ Male connector/plug



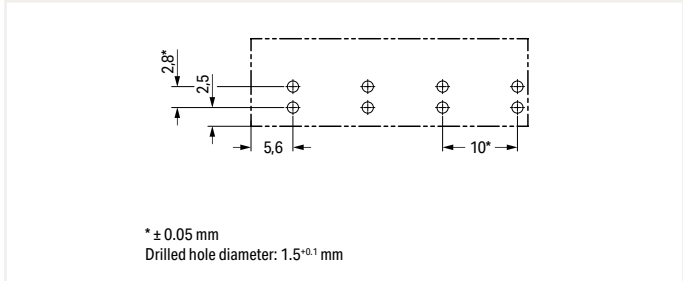
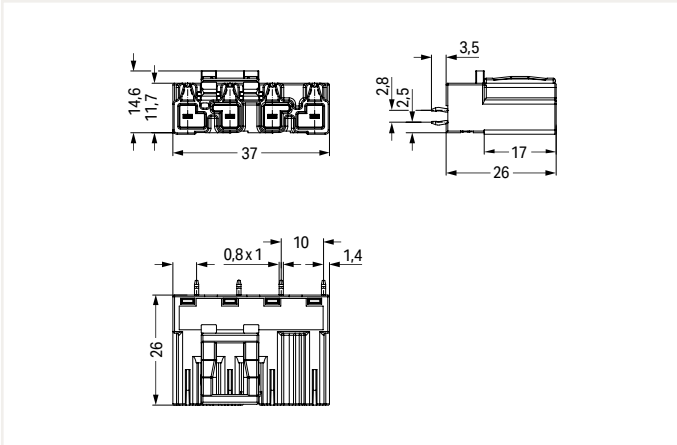
770-814

General mains applications

Color	Coding	Marking	Item No.	PU
● black	A	N ⊕ 2/L 1/L'	770-814	50
○ white	A	N ⊕ 2/L 1/L'	770-834	50

Measurement and regulation technology

Color	Coding	Marking	Item No.	PU
● gray	B	1 2 3 4	770-854	50
● gray	B	N ⊕ 2/L 1/L'	770-854/060-000	50
● gray	B	3 ⊕ 2 1	770-854/062-000	50
● gray	B	2L ⊕ 1L L	770-854/064-000	50
● light green	B	1 2 3 4	770-874	50
● light green	B	U- S U+ X/Y	770-874/071-000	50
● light green	B	U- U+ DI AI	770-874/072-000	50
● light green	B	1 ⊕ 2 3	770-874/073-000	50
● pink	B	1 2 3 4	770-894	50
● pink	B	1 2 5 3	770-894/081-000	50



Accessories; for all products on this page



Lockout cap; for plugs; separable; Pole No.: 5

Color	Item No.	PU
● yellow	770-360	100

PU = Packaging Unit; SPU = Subpackaging Unit; Dimensions in mm

Pluggable PCB Connector ▶ WINSTA® MIDI ▶ 770 Series

Pole No.: 4

angled ▶ Female connector/socket



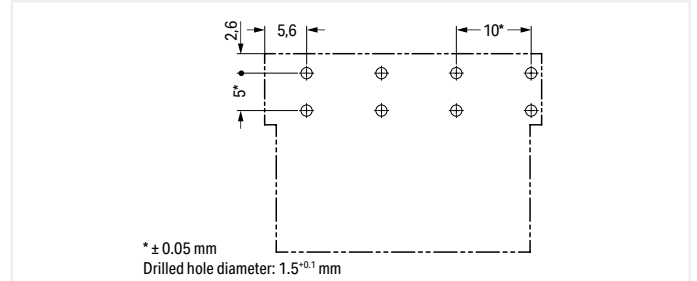
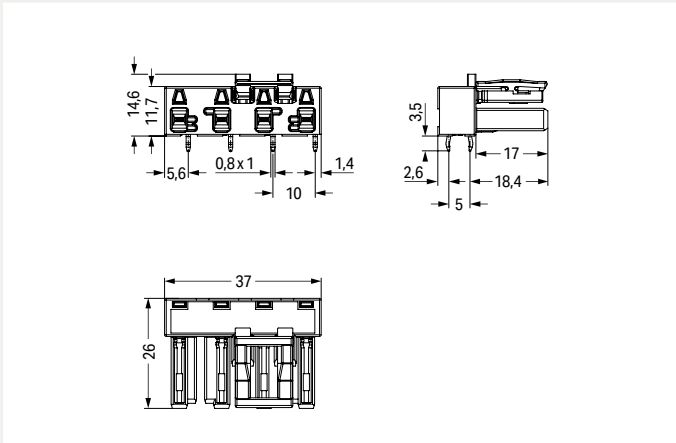
770-804/011-000

General mains applications

Color	Coding	Marking	Item No.	PU
● black	A	N ⊕ 2/L 1/L'	770-804/011-000	50
○ white	A	N ⊕ 2/L 1/L'	770-824/011-000	50

Measurement and regulation technology

Color	Coding	Marking	Item No.	PU
● gray	B	1 2 3 4	770-844/011-000	50
● gray	B	N ⊕ 2/L 1/L'	770-844/011-000/060-000	50
● gray	B	3 ⊕ 2 1	770-844/011-000/062-000	50
● gray	B	2L ⊕ 1LL	770-844/011-000/064-000	50
● light green	B	1 2 3 4	770-864/011-000	50
● light green	B	U- S U+ X/Y	770-864/011-000/071-000	50
● light green	B	U- U+ DI AI	770-864/011-000/072-000	50
● light green	B	1 ⊕ 2 3	770-864/011-000/073-000	50
● pink	B	1 2 3 4	770-884/011-000	50
● pink	B	1 2 5 3	770-884/011-000/081-000	50



Accessories; for all products on this page



Lockout cap; for socket; separable; Pole No.: 12

Color	Item No.	PU
● black	770-201	100
○ white	770-221	100

PU = Packaging Unit; SPU = Subpackaging Unit; Dimensions in mm

Pluggable PCB Connector ▶ WINSTA® MIDI ▶ 770 Series

Pole No.: 4

angled ▶ Male connector/plug



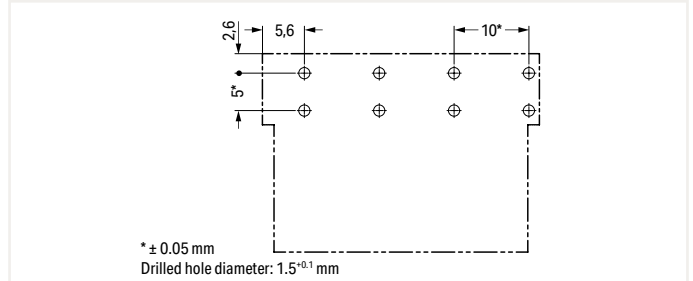
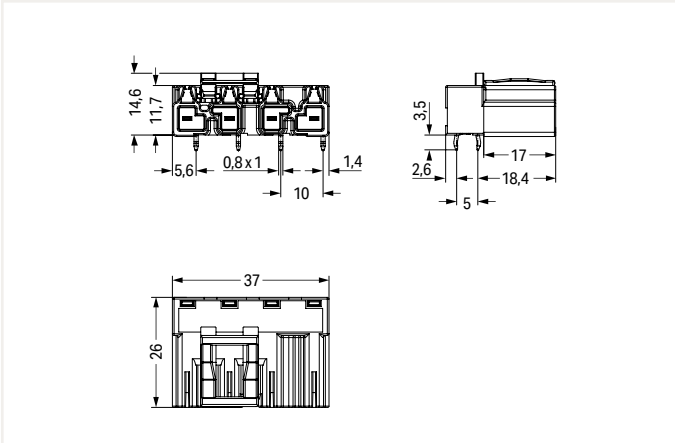
770-814/011-000

General mains applications

Color	Coding	Marking	Item No.	PU
● black	A	N ⊕ 2/L 1/L'	770-814/011-000	50
○ white	A	N ⊕ 2/L 1/L'	770-834/011-000	50

Measurement and regulation technology

Color	Coding	Marking	Item No.	PU
● gray	B	1 2 3 4	770-854/011-000	50
● gray	B	N ⊕ 2/L 1/L'	770-854/011-000/060-000	50
● gray	B	3 ⊕ 2 1	770-854/011-000/062-000	50
● gray	B	2L ⊕ 1L L	770-854/011-000/064-000	50
● light green	B	1 2 3 4	770-874/011-000	50
● light green	B	U- S U+ X/Y	770-874/011-000/071-000	50
● light green	B	U- U+ DI AI	770-874/011-000/072-000	50
● light green	B	1 ⊕ 2 3	770-874/011-000/073-000	50
● pink	B	1 2 3 4	770-894/011-000	50
● pink	B	1 2 5 3	770-894/011-000/081-000	50



Accessories; for all products on this page



Lockout cap; for plugs; separable; Pole No.: 5

Color	Item No.	PU
● yellow	770-360	100

PU = Packaging Unit; SPU = Subpackaging Unit; Dimensions in mm

Distribution Connector ▶ WINSTA® MIDI ▶ 770 Series

Pole No.: 4



- Protected against mismatching and maintenance-free
- Additional variable coding is possible.

Electrical Data			
Coding	A;B		
Ratings per	IEC/EN 60664-1		
Overvoltage category	III	III	II
Pollution degree	3	2	2
Rated voltage	400 V	-	-
Rated impulse voltage	6 kV	-	-
Rated current	25 A	-	-
Approbations per	UL 1977		
Rated voltage	600 V		
Rated current	23 A		

Material Data	
Insulation material	Polyamide (PA66)
Contact material	Copper or copper alloy (surface-treated)

Mechanical Data	
Number of mating cycles	200, without resistive load
Mating force of a plug-in connection	Approx. 20 ... 70 N (depending on pole number)
Unmating force of a plug-in connection	Unlocked: approx. 20 ... 70 N (depending on pole number)
Retention force of a plug-in connection	When locked: > 80 N
Protection type	IP20
Note on protection type	When mated: IP2xC (These compact connectors are not designed for use in open, easily accessible areas!)

Environmental Requirements	
Processing temperature	-5 ... +40 °C
Continuous operating temperature	-35 ... +85 °C
Note on continuous operating temperature	Insulating parts for temperatures ≤ 105 °C

All WINSTA® components are 100% protected against mismatching when:

- plugging different numbers of poles
- plugging while rotated 180
- plugging while laterally staggered
- plugging one pole

Coding Page 379

See technical section for further information

For approvals and corresponding ratings, visit www.wago.com

Distribution Connector ▶ WINSTA® MIDI ▶ 770 Series

Pole No.: 4

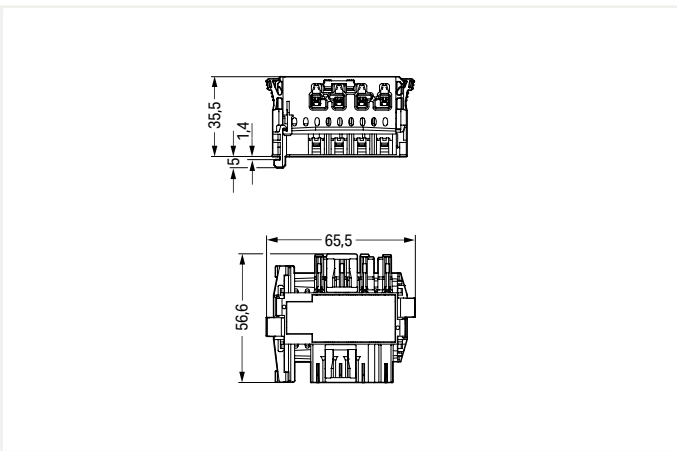
Linect® T-connector



770-6224

General mains applications

Cover Color	Coding	Marking	Item No.	PU
○ white	A	N ⊕ 2/L 1/L'	770-6224	25



2

Accessories; for all products on this page



Lockout cap; for socket; separable; Pole No.: 12			
Color	Item No.	PU	
● black	770-201	100	
○ white	770-221	100	

Lockout cap; for plugs; separable; Pole No.: 5			
Color	Item No.	PU	
● yellow	770-360	100	

PU = Packaging Unit; SPU = Subpackaging Unit; Dimensions in mm

Distribution Connector ▶ WINSTA® MIDI ▶ 770 Series

Pole No.: 4

T-distribution connector ▶ Number of locking levers: 2

T-distribution connector ▶ for flying leads ▶ Number of locking levers: 3



770-626



770-626

General mains applications

Color	Coding	Marking	Item No.	PU
● black	A	N ⊕ 2/L 1/L'	770-626	50
○ white	A	N ⊕ 2/L 1/L'	770-676	50

General mains applications

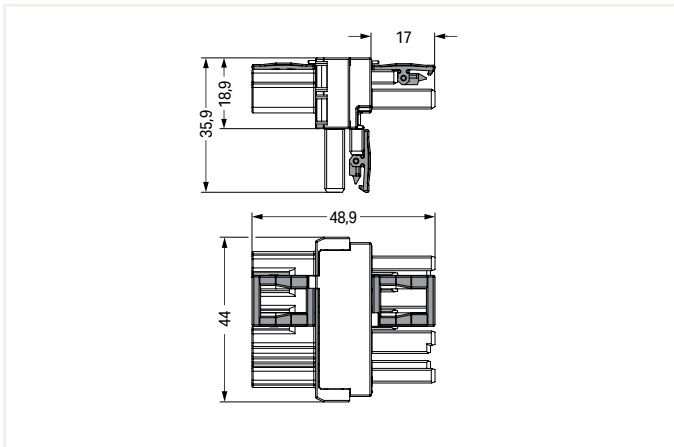
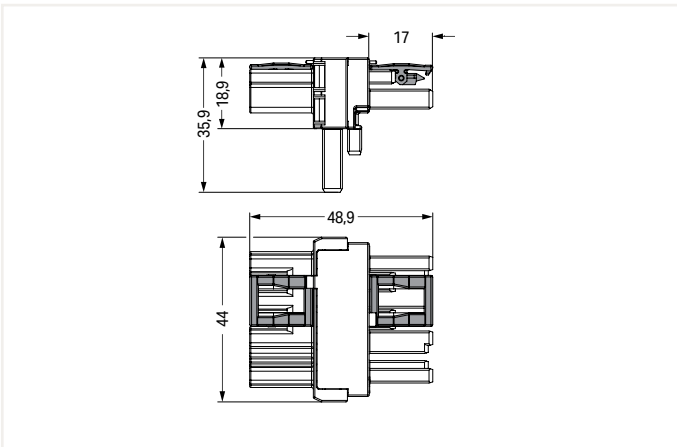
Color	Coding	Marking	Item No.	PU
● black	A	N ⊕ 2/L 1/L'	770-627	50
○ white	A	N ⊕ 2/L 1/L'	770-677	50

Measurement and regulation technology

Color	Coding	Marking	Item No.	PU
● gray	B	1 2 3 4	770-1631	50
● light green	B	1 2 3 4	770-1632	50
● pink	B	1 2 3 4	770-1633	50

Measurement and regulation technology

Color	Coding	Marking	Item No.	PU
● gray	B	1 2 3 4	770-1731	50
● light green	B	1 2 3 4	770-1732	50
● pink	B	1 2 3 4	770-1733	50



Accessories; for all products on this page



Color	Item No.	PU
● black	770-201	100
○ white	770-221	100



Color	Item No.	PU
● yellow	770-360	100

PU = Packaging Unit; SPU = Subpackaging Unit; Dimensions in mm

Distribution Connector ▶ WINSTA® MIDI ▶ 770 Series

Pole No.: 4

h-distribution connector (unidirectional) ▶ Number of locking levers: 2

h-distribution connector (unidirectional) ▶ for flying leads ▶ Number of locking levers: 3



770-944



770-944

General mains applications

Color	Coding	Marking	Item No.	PU
● black	A	N ⊕ 2/L 1/L'	770-944	25
○ white	A	N ⊕ 2/L 1/L'	770-994	25

General mains applications

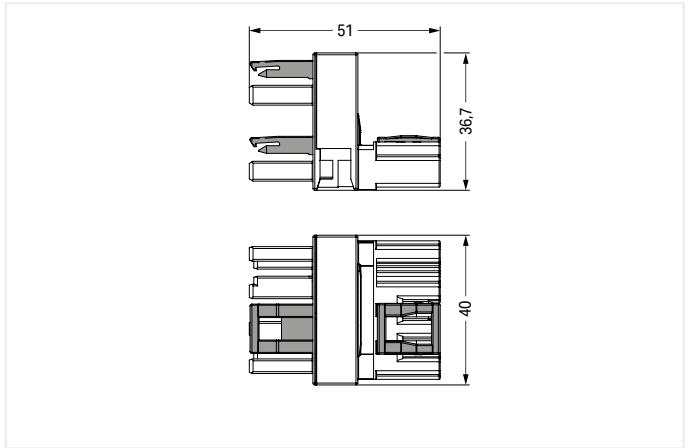
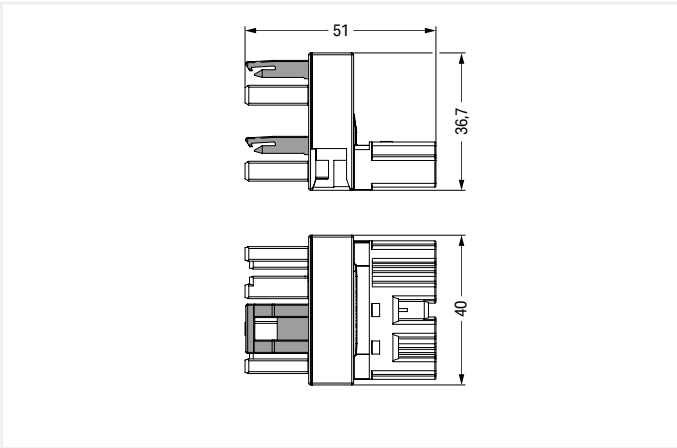
Color	Coding	Marking	Item No.	PU
● black	A	N ⊕ 2/L 1/L'	770-945	25
○ white	A	N ⊕ 2/L 1/L'	770-995	25

Measurement and regulation technology

Color	Coding	Marking	Item No.	PU
● gray	B	1 2 3 4	770-1681	50
● light green	B	1 2 3 4	770-1682	50
● pink	B	1 2 3 4	770-1683	50

Measurement and regulation technology

Color	Coding	Marking	Item No.	PU
● gray	B	1 2 3 4	770-1781	50
● light green	B	1 2 3 4	770-1782	50
● pink	B	1 2 3 4	770-1783	50



Accessories; for all products on this page



Color	Item No.	PU
● black	770-201	100
○ white	770-221	100



Color	Item No.	PU
● yellow	770-360	100



Color	Item No.	PU
● black	770-624	25
○ white	770-674	25

PU = Packaging Unit; SPU = Subpackaging Unit; Dimensions in mm

Distribution Connector ▶ WINSTA® MIDI ▶ 770 Series

Pole No.: 4

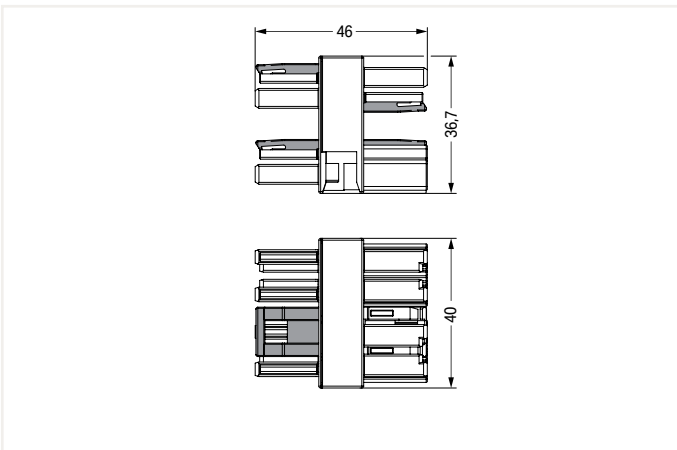
Distribution connector, 3-way,



770-1734

Measurement and regulation technology

Color	Coding	Marking	Item No.	PU
gray	B	1 2 3 4	770-1734	50
light green	B	1 2 3 4	770-1735	50
pink	B	1 2 3 4	770-1736	50



Accessories; for all products on this page



Lockout cap; for socket; separable; Pole No.: 12		
Color	Item No.	PU
● black	770-201	100
○ white	770-221	100



Lockout cap; for plugs; separable; Pole No.: 5		
Color	Item No.	PU
● yellow	770-360	100



Mounting plate; for distribution connectors (except T-distribution connectors); 4-pole		
Color	Item No.	PU
● black	770-624	25
○ white	770-674	25

PU = Packaging Unit; SPU = Subpackaging Unit; Dimensions in mm

Cable Assembly ▶ WINSTA® MIDI ▶ 771 SeriesPole No.: 4 ▶ Protection type: IP20 ▶ Fire class per EN 50575: E_{ca}

- Protected against mismatching and maintenance-free
- Additional variable coding is possible.

Electrical Data						
Coding	A;B			B		
Wire cross-section	1.5 mm ²			1 mm ²		
Ratings per	IEC/EN 60664-1			IEC/EN 60664-1		
Oversvoltage category	III	III	II	III	III	II
Pollution degree	3	2	2	3	2	2
Rated voltage	400 V	-	-	400 V	-	-
Rated impulse voltage	6 kV	-	-	6 kV	-	-
Rated current	16 A	-	-	10 A	-	-

Material Data	
Insulation material	Polyamide (PA66)
Contact material	Copper or copper alloy (surface-treated)
Fire class per EN 50575	E _{ca}

Mechanical Data	
Number of mating cycles	200, without resistive load
Mating force of a plug-in connection	approx. 20 ... 70 N (depending on pole number)
Unmating force of a plug-in connection	when unlocked: approx. 20 ... 70 N (depending on pole number)
Retention force of a plug-in connection	when locked: > 80N
Protection type	IP20
Note on protection type	When mated: IP2xC (These compact connectors are not designed for use in open, easily accessible areas!)

Environmental Requirements	
Processing temperature	-5 ... +40 °C
Continuous operating temperature	-35 ... +85 °C
Note on continuous operating temperature	PVC cable for temperatures ≤ 70 °C (including halogen-free) Insulating parts for temperatures ≤ 105 °C

All WINSTA® components are 100% protected against mismatching when:

- plugging different numbers of poles
- plugging while rotated 180
- plugging while laterally staggered
- plugging one pole

Cables with a different fire class can be found in the eShop.

Cover Page 380

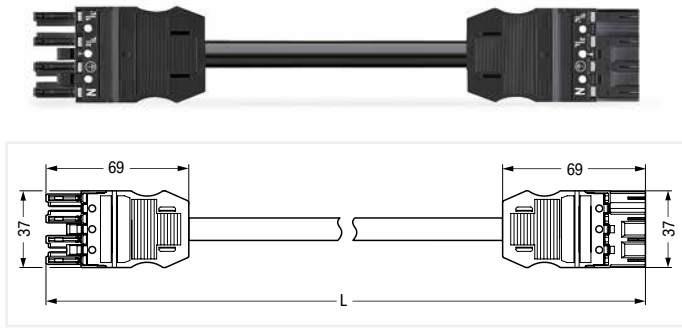
Marking Page 405

See technical section for further information

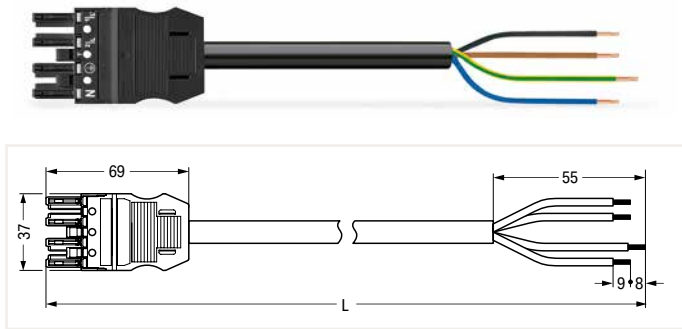
For approvals and corresponding ratings, visit www.wago.com

Cable Assembly ▶ WINSTA® MIDI ▶ 771 Series

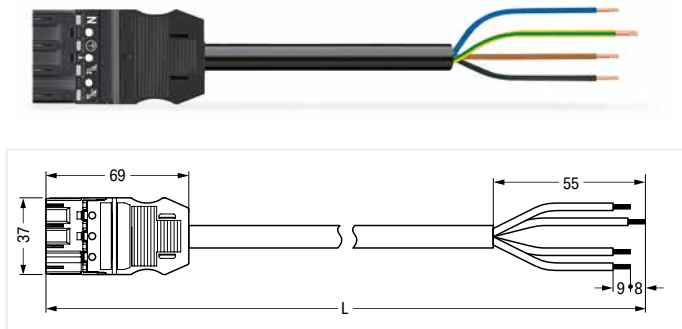
Pole No.: 4 ▶ Protection type: IP20 ▶ Fire class per EN 50575: E_{ca} ▶ Coding: A ▶ 1.5 mm² ▶ Marking: N ⊕ 2/L 1/L' ▶ PVC ▶ Sheathed cable diameter: 8.4 ... 10.5 mm ▶ H05VV-F 4G1.5 ▶ General mains applications



Interconnecting cable ▶ Socket - Plug			
Total length	Connector color/Strain relief color		PU
	black/black	white/white	
1 m	771-9994/006-101	771-9994/006-102	1
2 m	771-9994/006-201	771-9994/006-202	1
3 m	771-9994/006-301	771-9994/006-302	1
4 m	771-9994/006-401	771-9994/006-402	1
5 m	771-9994/006-501	771-9994/006-502	1
6 m	771-9994/006-601	771-9994/006-602	1
7 m	771-9994/006-701	771-9994/006-702	1
8 m	771-9994/006-801	771-9994/006-802	1



Connecting cable ▶ Socket - Free end ▶ Strip length (outer insulation): 55 mm			
Total length	Connector color/Strain relief color		PU
	black/black	white/white	
1 m	771-9994/106-101	771-9994/106-102	1
2 m	771-9994/106-201	771-9994/106-202	1
3 m	771-9994/106-301	771-9994/106-302	1
4 m	771-9994/106-401	771-9994/106-402	1
5 m	771-9994/106-501	771-9994/106-502	1
6 m	771-9994/106-601	771-9994/106-602	1
7 m	771-9994/106-701	771-9994/106-702	1
8 m	771-9994/106-801	771-9994/106-802	1



Connecting cable ▶ Plug - Free end ▶ Strip length (outer insulation): 55 mm			
Total length	Connector color/Strain relief color		PU
	black/black	white/white	
1 m	771-9994/206-101	771-9994/206-102	1
2 m	771-9994/206-201	771-9994/206-202	1
3 m	771-9994/206-301	771-9994/206-302	1
4 m	771-9994/206-401	771-9994/206-402	1
5 m	771-9994/206-501	771-9994/206-502	1
6 m	771-9994/206-601	771-9994/206-602	1
7 m	771-9994/206-701	771-9994/206-702	1
8 m	771-9994/206-801	771-9994/206-802	1

Accessories; for all products on this page



Locking lever; for flying leads; manually operated		
Color	Item No.	PU (SPU)
● black	770-101	100 (25)
○ white	770-121	100 (25)



Locking lever; for flying leads; tool operated		
Color	Item No.	PU (SPU)
● black	770-111	100 (25)
○ white	770-131	100 (25)



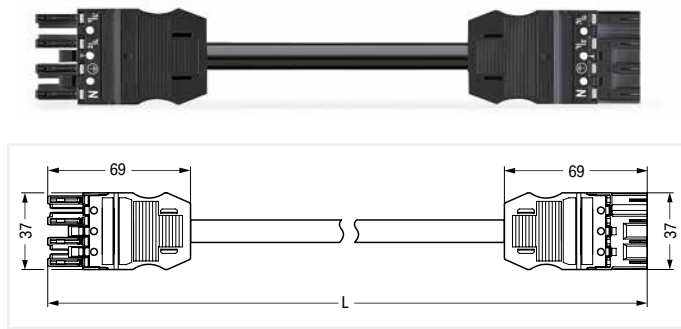
Mounting carrier; for flying leads; 2- to 5-pole		
Color	Item No.	PU
● black	770-310	25

PU = Packaging Unit; SPU = Subpackaging Unit; Dimensions in mm

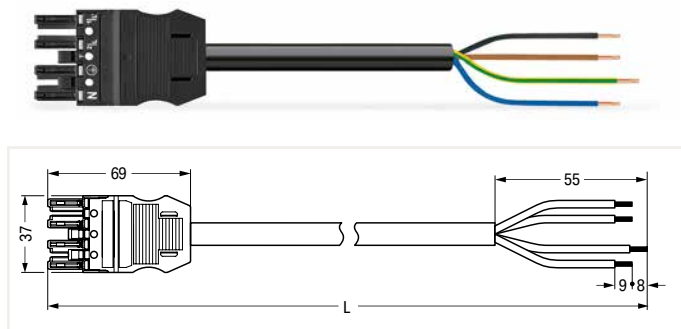
Cable Assembly ▶ WINSTA® MIDI ▶ 771 Series

Pole No.: 4 ▶ Protection type: IP20 ▶ Fire class per EN 50575: E_{ca} ▶ Coding: A ▶ 1.5 mm² ▶ Marking: N ⊕ 2/L 1/L' ▶ Halogen-free ▶ Sheathed cable diameter: 8.4 ... 10.5 mm ▶ H05Z1Z1-F 4G1.5 ▶ General mains applications

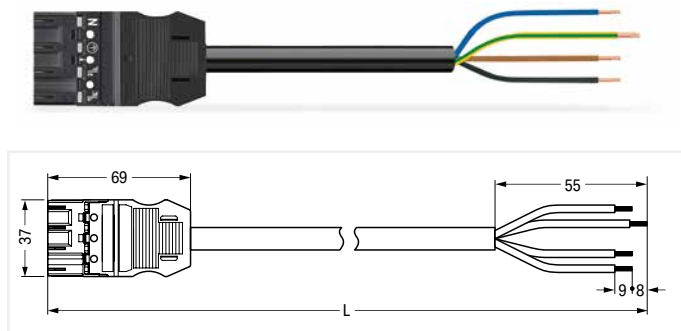
2



Total length	Connector color/Strain relief color		PU
	black/black	white/white	
1 m	771-9994/016-101	771-9994/016-102	1
2 m	771-9994/016-201	771-9994/016-202	1
3 m	771-9994/016-301	771-9994/016-302	1
4 m	771-9994/016-401	771-9994/016-402	1
5 m	771-9994/016-501	771-9994/016-502	1
6 m	771-9994/016-601	771-9994/016-602	1
7 m	771-9994/016-701	771-9994/016-702	1
8 m	771-9994/016-801	771-9994/016-802	1



Total length	Connector color/Strain relief color		PU
	black/black	white/white	
1 m	771-9994/116-101	771-9994/116-102	1
2 m	771-9994/116-201	771-9994/116-202	1
3 m	771-9994/116-301	771-9994/116-302	1
4 m	771-9994/116-401	771-9994/116-402	1
5 m	771-9994/116-501	771-9994/116-502	1
6 m	771-9994/116-601	771-9994/116-602	1
7 m	771-9994/116-701	771-9994/116-702	1
8 m	771-9994/116-801	771-9994/116-802	1



Total length	Connector color/Strain relief color		PU
	black/black	white/white	
1 m	771-9994/216-101	771-9994/216-102	1
2 m	771-9994/216-201	771-9994/216-202	1
3 m	771-9994/216-301	771-9994/216-302	1
4 m	771-9994/216-401	771-9994/216-402	1
5 m	771-9994/216-501	771-9994/216-502	1
6 m	771-9994/216-601	771-9994/216-602	1
7 m	771-9994/216-701	771-9994/216-702	1
8 m	771-9994/216-801	771-9994/216-802	1

Accessories; for all products on this page



Locking lever; for flying leads; manually operated		
Color	Item No.	PU (SPU)
● black	770-101	100 (25)
○ white	770-121	100 (25)



Locking lever; for flying leads; tool operated		
Color	Item No.	PU (SPU)
● black	770-111	100 (25)
○ white	770-131	100 (25)



Mounting carrier; for flying leads; 2- to 5-pole		
Color	Item No.	PU
● black	770-310	25

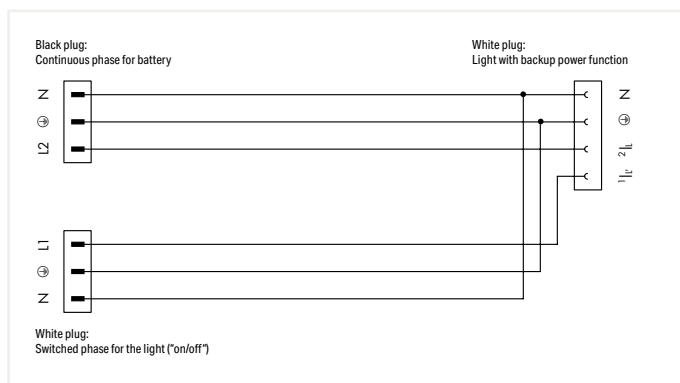
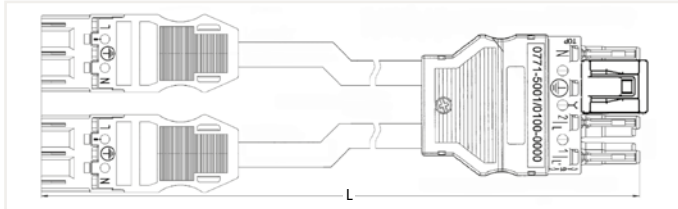
PU = Packaging Unit; SPU = Subpackaging Unit; Dimensions in mm

Cable Assembly ▶ WINSTA® MIDI ▶ 771 Series

No. of poles: 4 ▶ Protection type: IP20 ▶ Fire class per EN 50575: E_{ca} ▶ Coding: A ▶ 1.5 mm² ▶ PVC
 ▶ Sheathed cable diameter: 7.4 ... 9.4 ▶ H05VV-F 3G1.5 ▶ Backup power function



Y-cable				
Length	Connector color/Strain relief color			PU
		black/black		
0.6 m	771-5001/100-000			1



This cable connects lights with backup power function (battery pack). The black 3-pole plug connects the continuous phase for the battery, while the white 3-pole plug connects the switched phase for the light ("on/off").

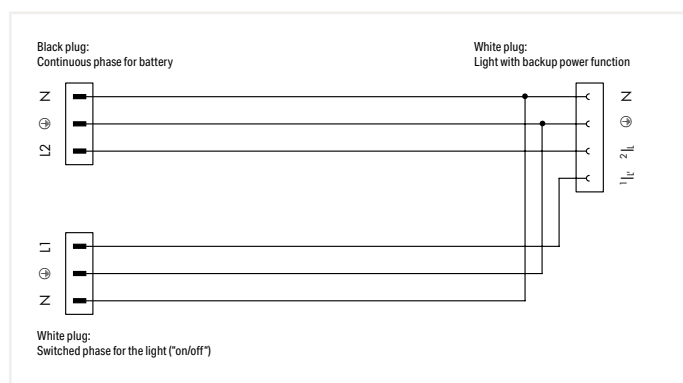
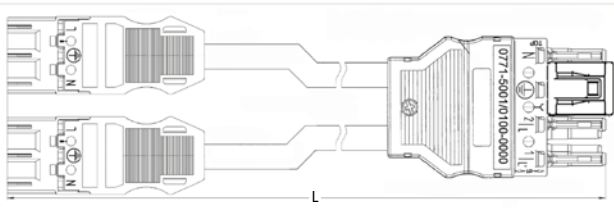
The white 4-pole socket can be directly plugged into the light.

Cable Assembly ▶ WINSTA® MIDI ▶ 771 Series

No. of poles: 4 ▶ Protection type: IP20 ▶ Fire class per EN 50575: E_{ca} ▶ Coding: A ▶ 1.5 mm² ▶ Halogen-free ▶ Sheathed cable diameter: 7.4 ... 9.4 ▶ H05VV-F 3G1.5 ▶ Backup power function



Y-cable				
Length	Connector color/Strain relief color			PU
		black/black		
0.6 m	771-5001/110-000			1

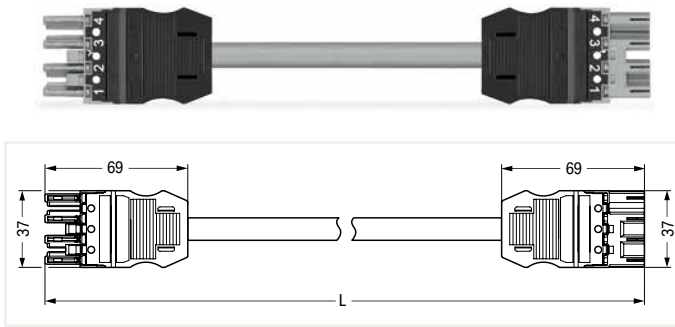


This cable connects lights with backup power function (battery pack). The black 3-pole plug connects the continuous phase for the battery, while the white 3-pole plug connects the switched phase for the light ("on/off").

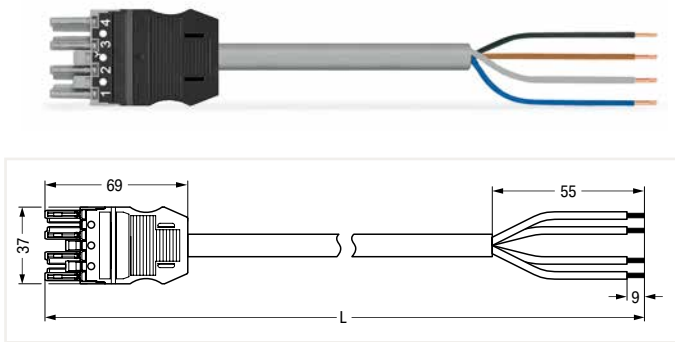
The white 4-pole socket can be directly plugged into the light.

Cable Assembly ▶ WINSTA® MIDI ▶ 771 Series

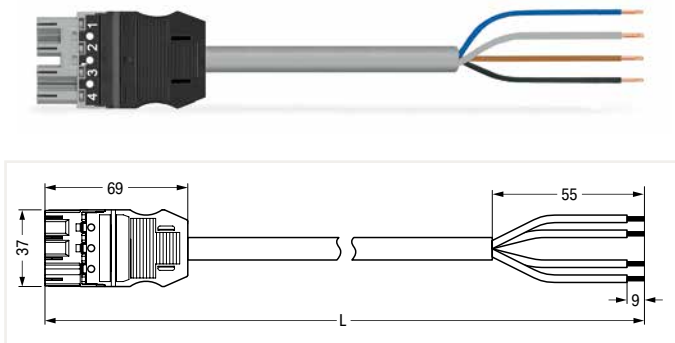
Pole No.: 4 ▶ Protection type: IP20 ▶ Fire class per EN 50575: E_{ca} ▶ Coding: B ▶ 1 mm² ▶ Marking: 1 2 3 4 ▶ PVC ▶ Sheathed cable diameter: 7.1 ... 9 mm ▶ Control line 4 x 1 ▶ Measurement and regulation technology



Interconnecting cable ▶ Socket - Plug				
Total length	Connector color/Strain relief color			PU
	gray/black	light green/black	pink/black	
1 m	771-9994/005-103	771-9994/005-105	771-9994/005-107	1
2 m	771-9994/005-203	771-9994/005-205	771-9994/005-207	1
3 m	771-9994/005-303	771-9994/005-305	771-9994/005-307	1
4 m	771-9994/005-403	771-9994/005-405	771-9994/005-407	1
5 m	771-9994/005-503	771-9994/005-505	771-9994/005-507	1
6 m	771-9994/005-603	771-9994/005-605	771-9994/005-607	1
7 m	771-9994/005-703	771-9994/005-705	771-9994/005-707	1
8 m	771-9994/005-803	771-9994/005-805	771-9994/005-807	1



Connecting cable ▶ Socket - Free end ▶ Strip length (outer insulation): 55 mm				
Total length	Connector color/Strain relief color			PU
	gray/black	light green/black	pink/black	
1 m	771-9994/105-103	771-9994/105-105	771-9994/105-107	1
2 m	771-9994/105-203	771-9994/105-205	771-9994/105-207	1
3 m	771-9994/105-303	771-9994/105-305	771-9994/105-307	1
4 m	771-9994/105-403	771-9994/105-405	771-9994/105-407	1
5 m	771-9994/105-503	771-9994/105-505	771-9994/105-507	1
6 m	771-9994/105-603	771-9994/105-605	771-9994/105-607	1
7 m	771-9994/105-703	771-9994/105-705	771-9994/105-707	1
8 m	771-9994/105-803	771-9994/105-805	771-9994/105-807	1



Connecting cable ▶ Plug - Free end ▶ Strip length (outer insulation): 55 mm				
Total length	Connector color/Strain relief color			PU
	gray/black	light green/black	pink/black	
1 m	771-9994/205-103	771-9994/205-105	771-9994/205-107	1
2 m	771-9994/205-203	771-9994/205-205	771-9994/205-207	1
3 m	771-9994/205-303	771-9994/205-305	771-9994/205-307	1
4 m	771-9994/205-403	771-9994/205-405	771-9994/205-407	1
5 m	771-9994/205-503	771-9994/205-505	771-9994/205-507	1
6 m	771-9994/205-603	771-9994/205-605	771-9994/205-607	1
7 m	771-9994/205-703	771-9994/205-705	771-9994/205-707	1
8 m	771-9994/205-803	771-9994/205-805	771-9994/205-807	1

Accessories; for all products on this page



Locking lever; for flying leads; manually operated		
Color	Item No.	PU (SPU)
● black	770-101	100 (25)
○ white	770-121	100 (25)



Locking lever; for flying leads; tool operated		
Color	Item No.	PU (SPU)
● black	770-111	100 (25)
○ white	770-131	100 (25)



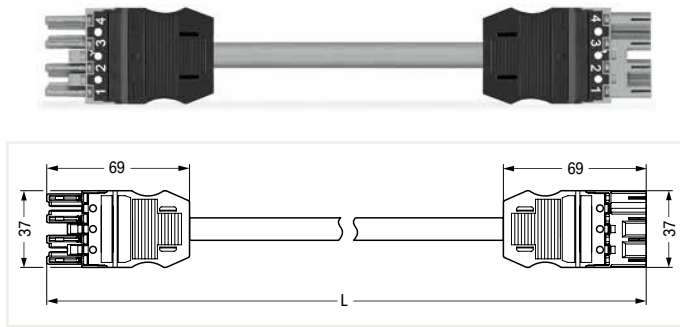
Mounting carrier; for flying leads; 2- to 5-pole		
Color	Item No.	PU
● black	770-310	25

PU = Packaging Unit; SPU = Subpackaging Unit; Dimensions in mm

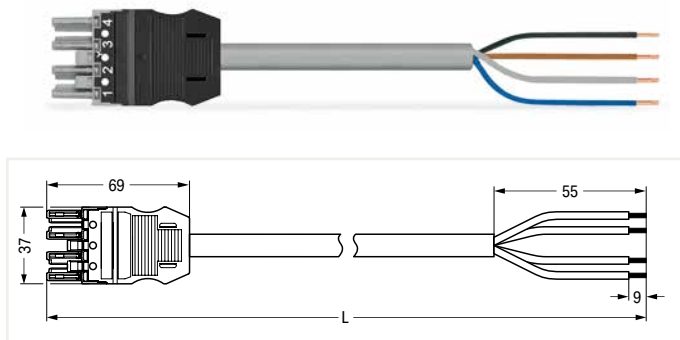
Cable Assembly ▶ WINSTA® MIDI ▶ 771 Series

Pole No.: 4 ▶ Protection type: IP20 ▶ Fire class per EN 50575: E_{ca} ▶ Coding: B ▶ 1.5 mm² ▶ Marking: 1 2 3 4 ▶ PVC ▶ Sheathed cable diameter: 8.4 ... 10.5 mm ▶ Control line 4 x 1.5 ▶ Measurement and regulation technology

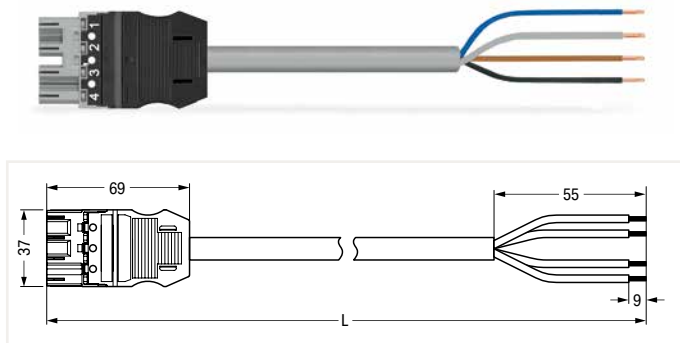
2



Total length	Connector color/Strain relief color			PU
	gray/black	light green/black	pink/black	
	1 m	771-9994/006-103	771-9994/006-105	
2 m	771-9994/006-203	771-9994/006-205	771-9994/006-207	1
3 m	771-9994/006-303	771-9994/006-305	771-9994/006-307	1
4 m	771-9994/006-403	771-9994/006-405	771-9994/006-407	1
5 m	771-9994/006-503	771-9994/006-505	771-9994/006-507	1
6 m	771-9994/006-603	771-9994/006-605	771-9994/006-607	1
7 m	771-9994/006-703	771-9994/006-705	771-9994/006-707	1
8 m	771-9994/006-803	771-9994/006-805	771-9994/006-807	1



Total length	Connector color/Strain relief color			PU
	gray/black	light green/black	pink/black	
	1 m	771-9994/106-103	771-9994/106-105	
2 m	771-9994/106-203	771-9994/106-205	771-9994/106-207	1
3 m	771-9994/106-303	771-9994/106-305	771-9994/106-307	1
4 m	771-9994/106-403	771-9994/106-405	771-9994/106-407	1
5 m	771-9994/106-503	771-9994/106-505	771-9994/106-507	1
6 m	771-9994/106-603	771-9994/106-605	771-9994/106-607	1
7 m	771-9994/106-703	771-9994/106-705	771-9994/106-707	1
8 m	771-9994/106-803	771-9994/106-805	771-9994/106-807	1



Total length	Connector color/Strain relief color			PU
	gray/black	light green/black	pink/black	
	1 m	771-9994/206-103	771-9994/206-105	
2 m	771-9994/206-203	771-9994/206-205	771-9994/206-207	1
3 m	771-9994/206-303	771-9994/206-305	771-9994/206-307	1
4 m	771-9994/206-403	771-9994/206-405	771-9994/206-407	1
5 m	771-9994/206-503	771-9994/206-505	771-9994/206-507	1
6 m	771-9994/206-603	771-9994/206-605	771-9994/206-607	1
7 m	771-9994/206-703	771-9994/206-705	771-9994/206-707	1
8 m	771-9994/206-803	771-9994/206-805	771-9994/206-807	1

Accessories; for all products on this page



Locking lever; for flying leads; manually operated		
Color	Item No.	PU (SPU)
● black	770-101	100 (25)
○ white	770-121	100 (25)



Locking lever; for flying leads; tool operated		
Color	Item No.	PU (SPU)
● black	770-111	100 (25)
○ white	770-131	100 (25)



Mounting carrier; for flying leads; 2- to 5-pole		
Color	Item No.	PU
● black	770-310	25

PU = Packaging Unit; SPU = Subpackaging Unit; Dimensions in mm

Pluggable Connector ▶ WINSTA® MIDI ▶ 770 Series

Pole No.: 5 ▶ Protection type: IP20



- Protected against mismatching and maintenance-free
- Push-in CAGE CLAMP® spring pressure connection technology allows solid conductors to be simply pushed into a unit
- Two-wire connection per pole for loops or bridges
- Additional variable coding is possible

Electrical Data						
Coding	A;B;L;P			Q		
Ratings per	IEC/EN 60664-1			IEC/EN 60664-1		
Overvoltage category	III	III	II	III	III	II
Pollution degree	3	2	2	3	2	2
Rated voltage	400 V	-	-	400 V	-	-
Rated impulse voltage	6 kV	-	-	6 kV	-	-
Rated current	25 A	-	-	32 A	-	-
Approbations per	UL 1977			UL 1977		
Rated voltage	600 V			600 V		
Rated current	23 A			23 A		

Connection Data	
Connection technology	Push-in CAGE CLAMP®
Strip length	9 mm / 0.35 inch
Nominal cross-section	4 mm ²
Solid conductor	0.5 ... 4 mm ² / 20 ... 12 AWG
Solid conductor; push-in termination	1.5 ... 4 mm ² / 16 ... 12 AWG
Stranded conductor	0.5 ... 2.5 mm ² / 20 ... 14 AWG
Fine-stranded conductor	0.5 ... 4 mm ² / 20 ... 12 AWG
Fine-stranded conductor; with insulated ferrule	0.25 ... 1.5 mm ² / 20 ... 16 AWG
Fine-stranded conductor; with uninsulated ferrule	0.25 ... 2.5 mm ² / 20 ... 14 AWG
Fine-stranded conductor; with ferrule; push-in termination	1.5 mm ² / 16 AWG

Material Data	
Insulation material	Polyamide (PA66)
Clamping spring material	Chrome nickel spring steel (CrNi)
Contact material	Copper or copper alloy (surface-treated)

Mechanical Data	
Number of mating cycles	200, without resistive load
Mating force of a plug-in connection	approx. 20 ... 70 N (depending on pole number)
Unmating force of a plug-in connection	Unlocked: approx. 20 ... 70 N (depending on pole number)
Retention force of a plug-in connection	Locked: > 80 N
Protection type	IP20
Note on protection type	When mated and secured with a strain relief housing: IP2xC (These compact connectors are not designed for use in open, easily accessible areas!)

Environmental Requirements	
Processing temperature	-5 ... +40 °C
Continuous operating temperature	-35 ... +85 °C
Note on continuous operating temperature	Insulating parts for temperatures ≤ 105 °C

All WINSTA® components are 100% protected against mismatching when:

- plugging different numbers of poles
- plugging while rotated 180
- plugging while laterally staggered
- plugging one pole

Coding	Page 379
Cover	Page 380
Marking	Page 405
Strain relief	Page 387
Tool	Page 400
See technical section for further information	
For approvals and corresponding ratings, visit www.wago.com	

Pluggable Connector ▶ WINSTA® MIDI ▶ 770 Series

Pole No.: 5 ▶ Protection type: IP20

Number of connection points: 2 ▶ Strain relief housing ▶ Female connector/socket ▶ Strip length (outer insulation): 55 mm ▶ Connectable sheathed cable diameter : 9 ... 13 mm

Number of connection points: 2 ▶ Strain relief housing ▶ Male connector/plug ▶ Strip length (outer insulation): 55 mm ▶ Connectable sheathed cable diameter : 9 ... 13 mm



770-105



770-115

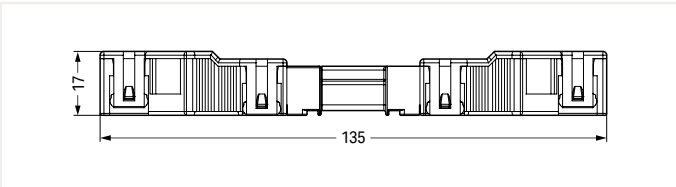
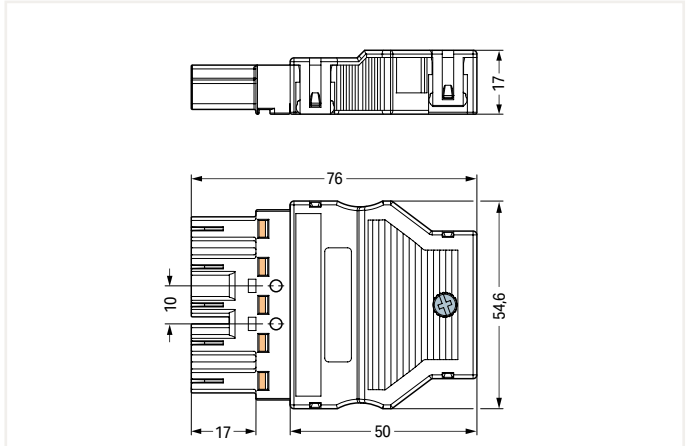
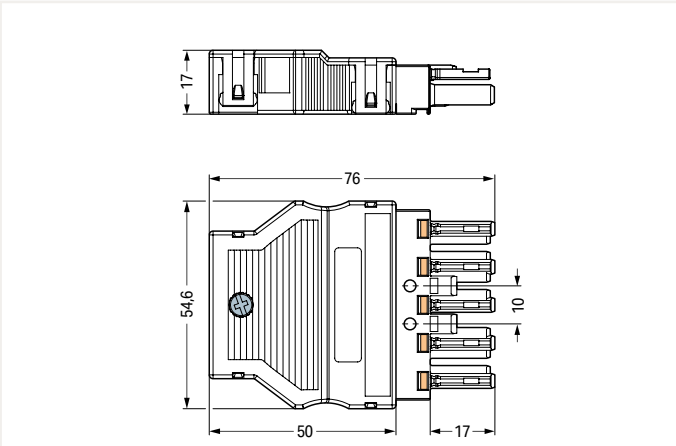
2

General mains applications

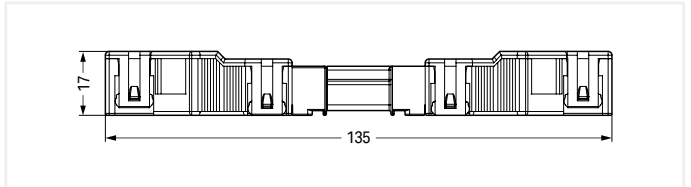
Color	Coding	Marking	Item No.	PU
● black	A	N ⊕ L1 L2 L3	770-105	25
○ white	A	N ⊕ L1 L2 L3	770-125	25

General mains applications

Color	Coding	Marking	Item No.	PU
● black	A	N ⊕ L1 L2 L3	770-115	25
○ white	A	N ⊕ L1 L2 L3	770-135	25



Overall length when mated



Overall length when mated

Item-Specific Accessories



Lockout cap; for socket; separable; Pole No.: 12

Color	Item No.	PU
● black	770-201	100
○ white	770-221	100



Lockout cap; for plugs; separable; Pole No.: 5

Color	Item No.	PU
● yellow	770-360	100

Accessories; for all products on this page



Locking lever; for flying leads; manually operated

Color	Item No.	PU (SPU)
● black	770-101	100 (25)
○ white	770-121	100 (25)



Locking lever; for flying leads; tool operated

Color	Item No.	PU (SPU)
● black	770-111	100 (25)
○ white	770-131	100 (25)

PU = Packaging Unit; SPU = Subpackaging Unit; Dimensions in mm

Pluggable Connector ▶ WINSTA® MIDI ▶ 770 Series

Pole No.: 5 ▶ Protection type: IP20

Number of connection points: 2 ▶ Female connector/socket



770-205

General mains applications

Color	Coding	Marking	Item No.	PU
● black	A	N ⊕ L1 L2 L3	770-205	50
○ white	A	N ⊕ L1 L2 L3	770-225	50

Measurement and regulation technology

Color	Coding	Marking	Item No.	PU
● gray	B	1 2 3 4 5	770-245	50
● gray	B	N ⊕ L1 L2 L3	770-245/060-000	50
● gray	B	N ⊕ 3 2 1	770-245/062-000	50
● gray	B	N ⊕ L 2L 1L	770-245/064-000	50
● light green	B	1 2 3 4 5	770-265	50
● light green	B	1 ⊕ 2 3 4	770-265/073-000	50
● pink	B	1 2 3 4 5	770-285	50
● pink	B	N ⊕ L I - I+	770-285/080-000	50
● pink	B	N ⊕ L - +	770-285/082-000	50

DALI, Lighting Management

Color	Coding	Marking	Item No.	PU
● blue	I	N ⊕ L DA- DA+	770-1105	50

Emergency power supply

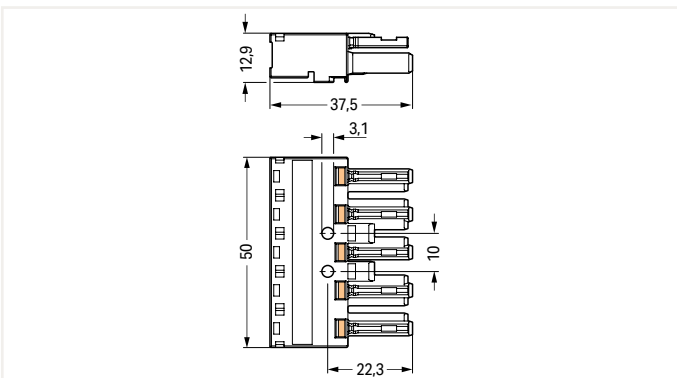
Color	Coding	Marking	Item No.	PU
● dark gray	L	N ⊕ L N' L'	770-1165	50

EDV (UPS)

Color	Coding	Marking	Item No.	PU
● red	P	N ⊕ L1 L2 L3	770-1305	50

For „Clean Ground“ applications

Color	Coding	Marking	Item No.	PU
● green	Q	N PE1 PE2 PE3 L	770-1325	50



Accessories; for all products on this page



Locking lever; for flying leads; manually operated

Color	Item No.	PU (SPU)
● black	770-101	100 (25)
○ white	770-121	100 (25)



Locking lever; for flying leads; tool operated

Color	Item No.	PU (SPU)
● black	770-111	100 (25)
○ white	770-131	100 (25)



Lockout cap; for socket; separable; Pole No.: 12

Color	Item No.	PU
● black	770-201	100
○ white	770-221	100



Strain relief housing; Connectable sheathed cable diameter: 9 ... 13 mm; Strip length (outer insulation): 55 mm

Color	Item No.	PU
● black	770-505	25
○ white	770-515	25



Strain relief housing; Connectable sheathed cable diameter: 5 ... 9 mm; Strip length (outer insulation): 55 mm

Color	Item No.	PU
● black	770-505/023-000	25
○ white	770-515/023-000	25

PU = Packaging Unit; SPU = Subpackaging Unit; Dimensions in mm

Pluggable Connector ▶ WINSTA® MIDI ▶ 770 Series

Pole No.: 5 ▶ Protection type: IP20

Number of connection points: 2 ▶ Male connector/plug



770-215

General mains applications

Color	Coding	Marking	Item No.	PU
● black	A	N ⊕ L1 L2 L3	770-215	50
○ white	A	N ⊕ L1 L2 L3	770-235	50

Measurement and regulation technology

Color	Coding	Marking	Item No.	PU
● gray	B	1 2 3 4 5	770-255	50
● gray	B	N ⊕ L1 L2 L3	770-255/060-000	50
● gray	B	N ⊕ 3 2 1	770-255/062-000	50
● gray	B	N ⊕ L2 L1	770-255/064-000	50
● light green	B	1 2 3 4 5	770-275	50
● light green	B	1 ⊕ 2 3 4	770-275/073-000	50
● pink	B	1 2 3 4 5	770-295	50
● pink	B	N ⊕ L1 - I+	770-295/080-000	50
● pink	B	N ⊕ L - +	770-295/082-000	50

DALI, Lighting Management

Color	Coding	Marking	Item No.	PU
● blue	I	N ⊕ L DA- DA+	770-1115	50

Emergency power supply

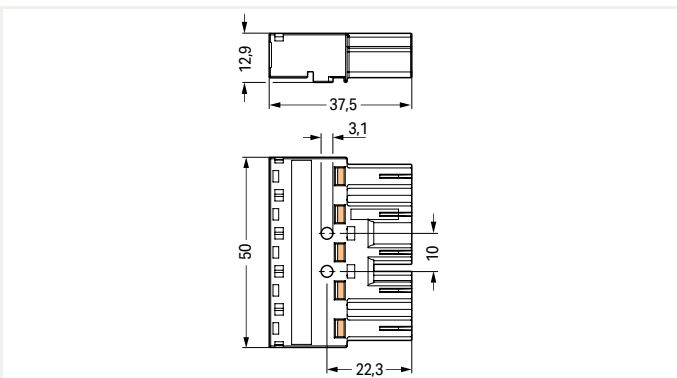
Color	Coding	Marking	Item No.	PU
● dark gray	L	N ⊕ L N' L'	770-1175	50

EDV (UPS)

Color	Coding	Marking	Item No.	PU
● red	P	N ⊕ L1 L2 L3	770-1315	50

For „Clean Ground“ applications

Color	Coding	Marking	Item No.	PU
● green	Q	N PE1 PE2 PE3 L	770-1335	50



Accessories; for all products on this page



Locking lever; for flying leads; manually operated

Color	Item No.	PU (SPU)
● black	770-101	100 (25)
○ white	770-121	100 (25)



Locking lever; for flying leads; tool operated

Color	Item No.	PU (SPU)
● black	770-111	100 (25)
○ white	770-131	100 (25)



Lockout cap; for plugs; separable; Pole No.: 5

Color	Item No.	PU
● yellow	770-360	100



Strain relief housing; Connectable sheathed cable diameter: 9 ... 13 mm; Strip length (outer insulation): 55 mm

Color	Item No.	PU
● black	770-505	25
○ white	770-515	25



Strain relief housing; Connectable sheathed cable diameter: 5 ... 9 mm; Strip length (outer insulation): 55 mm

Color	Item No.	PU
● black	770-505/023-000	25
○ white	770-515/023-000	25

PU = Packaging Unit; SPU = Subpackaging Unit; Dimensions in mm

Pluggable Connector ▶ WINSTA® MIDI ▶ 770 Series

Pole No.: 5 ▶ Protection type: IP20

Number of connection points: 1 ▶ Strain relief housing ▶ Female connector/socket ▶ Strip length (outer insulation): 55 mm ▶ Connectable sheathed cable diameter : 9 ... 13 mm

Number of connection points: 1 ▶ Strain relief housing ▶ Male connector/plug ▶ Strip length (outer insulation): 55 mm ▶ Connectable sheathed cable diameter : 9 ... 13 mm



770-305

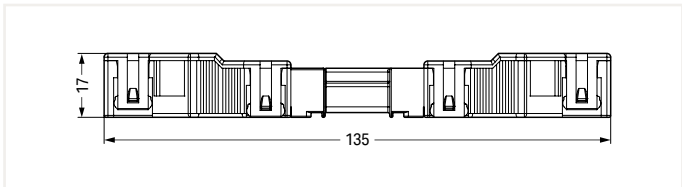
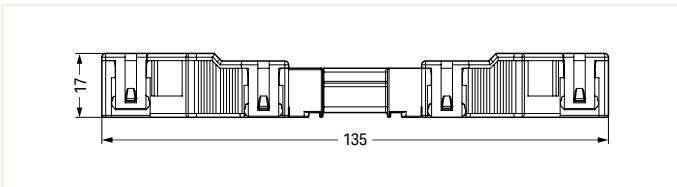
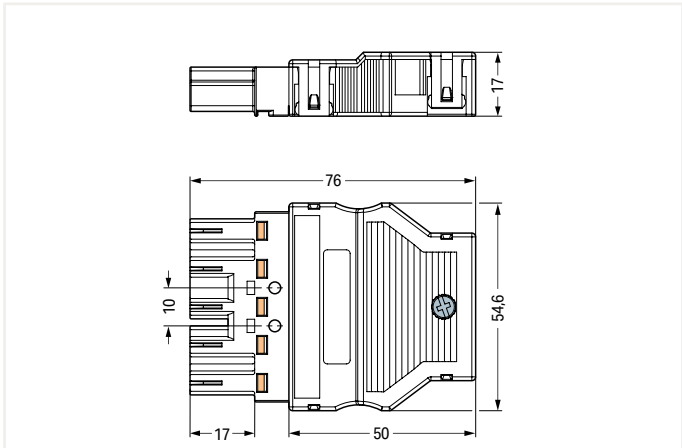
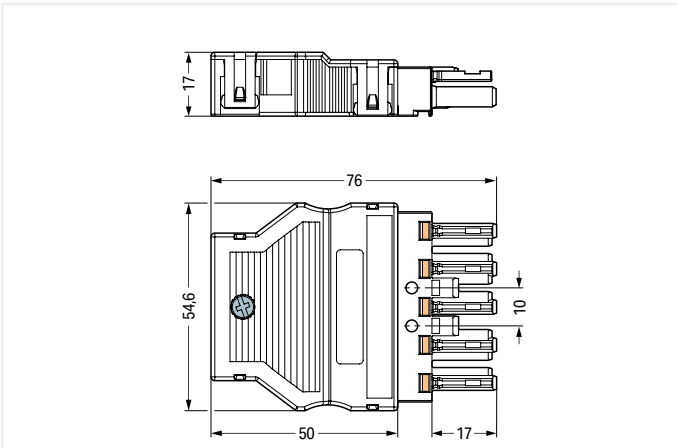
770-315

General mains applications

Color	Coding	Marking	Item No.	PU
● black	A	N ⊕ L1 L2 L3	770-305	25
○ white	A	N ⊕ L1 L2 L3	770-325	25

General mains applications

Color	Coding	Marking	Item No.	PU
● black	A	N ⊕ L1 L2 L3	770-315	25
○ white	A	N ⊕ L1 L2 L3	770-335	25



Overall length when mated

Overall length when mated

Item-Specific Accessories



Lockout cap; for socket; separable; Pole No.: 12

Color	Item No.	PU
● black	770-201	100
○ white	770-221	100



Lockout cap; for plugs; separable; Pole No.: 5

Color	Item No.	PU
● yellow	770-360	100

Accessories; for all products on this page



Locking lever; for flying leads; manually operated

Color	Item No.	PU (SPU)
● black	770-101	100 (25)
○ white	770-121	100 (25)

Locking lever; for flying leads; tool operated

Color	Item No.	PU (SPU)
● black	770-111	100 (25)
○ white	770-131	100 (25)

PU = Packaging Unit; SPU = Subpackaging Unit; Dimensions in mm

Pluggable Connector ▶ WINSTA® MIDI ▶ 770 Series

Pole No.: 5 ▶ Protection type: IP20

Number of connection points: 1 ▶ Female connector/socket

Number of connection points: 1 ▶ Male connector/plug

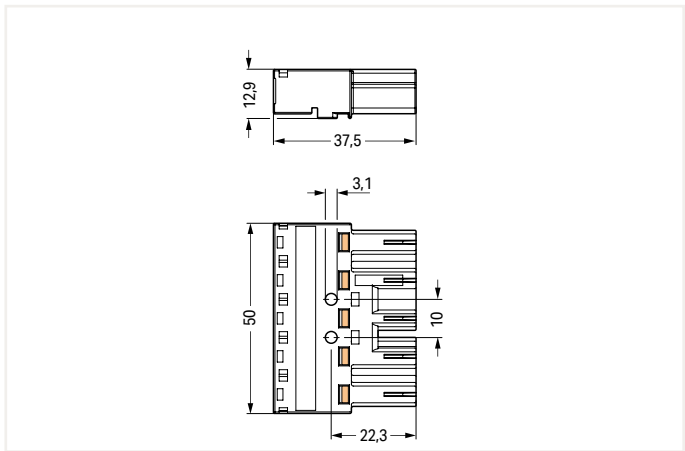
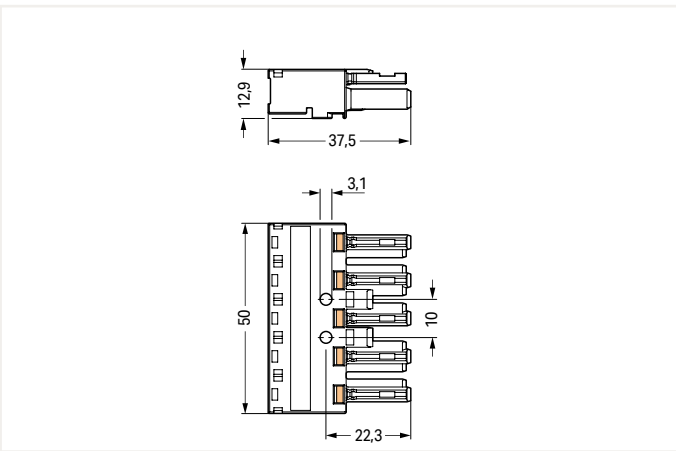


General mains applications

Color	Coding	Marking	Item No.	PU
● black	A	N ⊕ L1 L2 L3	770-405	50
○ white	A	N ⊕ L1 L2 L3	770-425	50

General mains applications

Color	Coding	Marking	Item No.	PU
● black	A	N ⊕ L1 L2 L3	770-415	50
○ white	A	N ⊕ L1 L2 L3	770-435	50



Item-Specific Accessories



Lockout cap; for socket; separable; Pole No.: 12

Color	Item No.	PU
● black	770-201	100
○ white	770-221	100

Item-Specific Accessories



Lockout cap; for plugs; separable; Pole No.: 5

Color	Item No.	PU
● yellow	770-360	100

Accessories; for all products on this page



Locking lever; for flying leads; manually operated

Color	Item No.	PU (SPU)
● black	770-101	100 (25)
○ white	770-121	100 (25)



Locking lever; for flying leads; tool operated

Color	Item No.	PU (SPU)
● black	770-111	100 (25)
○ white	770-131	100 (25)

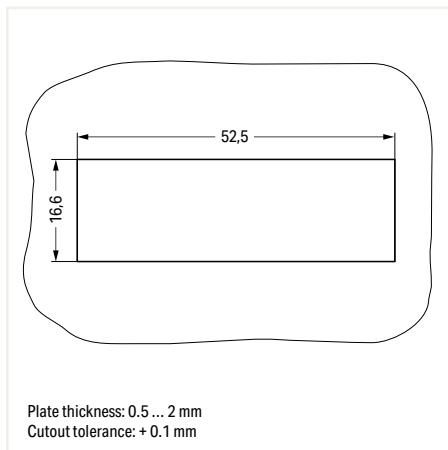
PU = Packaging Unit; SPU = Subpackaging Unit; Dimensions in mm

Snap-in Device Connector ▶ WINSTA® MIDI ▶ 770 Series

Pole No.: 5 ▶ Number of connection points: 2 ▶ Protection type: IP20



- Protected against mismatching and maintenance-free
- Push-in CAGE CLAMP® spring pressure connection technology allows solid conductors to be simply pushed into a unit.
- Two wire connections per pole for loops or bridges
- Additional variable coding is possible.



Electrical Data						
Coding	A;B;I;P			Q		
Ratings per	IEC/EN 60664-1			IEC/EN 60664-1		
Overvoltage category	III	III	II	III	III	II
Pollution degree	3	2	2	3	2	2
Rated voltage	400 V	-	-	400 V	-	-
Rated impulse voltage	6 kV	-	-	6 kV	-	-
Rated current	25 A	-	-	32 A	-	-
Approbations per	UL 1977			UL 1977		
Rated voltage	600 V			600 V		
Rated current	23 A			23 A		

Connection Data	
Connection technology	Push-in CAGE CLAMP®
Strip length	9 mm / 0.35 inch
Nominal cross-section	4 mm ²
Solid conductor	0.5 ... 4 mm ² / 20 ... 12 AWG
Solid conductor; push-in termination	1.5 ... 4 mm ² / 16 ... 12 AWG
Stranded conductor	0.5 ... 2.5 mm ² / 20 ... 14 AWG
Fine-stranded conductor	0.5 ... 4 mm ² / 20 ... 12 AWG
Fine-stranded conductor; with insulated ferrule	0.25 ... 1.5 mm ² / 20 ... 16 AWG
Fine-stranded conductor; with uninsulated ferrule	0.25 ... 2.5 mm ² / 20 ... 14 AWG
Fine-stranded conductor; with ferrule; push-in termination	1.5 mm ² / 16 AWG

Material Data	
Insulation material	Polyamide (PA66)
Clamping spring material	Chrome nickel spring steel (CrNi)
Contact material	Copper or copper alloy (surface-treated)

Mechanical Data	
Number of mating cycles	200, without resistive load
Mating force of a plug-in connection	approx. 20 ... 70 N (depending on pole number)
Unmating force of a plug-in connection	Unlocked: approx. 20 ... 70 N (depending on pole number)
Retention force of a plug-in connection	Locked: > 80 N
Protection type	IP20
Note on protection type	When mated: IP2xC (These compact connectors are not designed for use in open, easily accessible areas!)

Environmental Requirements	
Processing temperature	-5 ... +40 °C
Continuous operating temperature	-35 ... +85 °C
Note on continuous operating temperature	Insulating parts for temperatures ≤ 105 °C

All WINSTA® components are 100% protected against mismatching when:

- plugging different numbers of poles
- plugging while rotated 180
- plugging while laterally staggered
- plugging one pole

Tool Page 400

See technical section for further information

For approvals and corresponding ratings, visit www.wago.com

Snap-in Device Connector ▶ WINSTA® MIDI ▶ 770 Series

Pole No.: 5 ▶ Number of connection points: 2 ▶ Protection type: IP20

Female connector/socket



770-705

General mains applications

Color	Coding	Marking	Item No.	PU
● black	A	N ⊕ L1 L2 L3	770-705	50
○ white	A	N ⊕ L1 L2 L3	770-725	50

For „Clean Ground“ applications

Color	Coding	Marking	Item No.	PU
● green	Q	N PE1 PE2 PE3 L	770-2325	50

Measurement and regulation technology

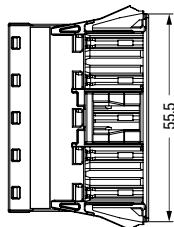
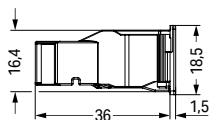
Color	Coding	Marking	Item No.	PU
● gray	B	1 2 3 4 5	770-745	50
● gray	B	N ⊕ L1 L2 L3	770-745/060-000	50
● gray	B	N ⊕ 3 2 1	770-745/062-000	50
● gray	B	N ⊕ L2L 1L	770-745/064-000	50
● light green	B	1 2 3 4 5	770-765	50
● light green	B	1 ⊕ 2 3 4	770-765/073-000	50
● pink	B	1 2 3 4 5	770-785	50
● pink	B	N ⊕ L I- I+	770-785/080-000	50
● pink	B	N ⊕ L - +	770-785/082-000	50

DALI, Lighting Management

Color	Coding	Marking	Item No.	PU
● blue	I	N ⊕ L DA- DA+	770-2105	50

EDV (UPS)

Color	Coding	Marking	Item No.	PU
● red	P	N ⊕ L1 L2 L3	770-2305	50



Accessories; for all products on this page



Lockout cap; for socket; separable; Pole No.: 12

Color	Item No.	PU
● black	770-201	100
○ white	770-221	100

Lockout cap; for cutout; Pole No.: 5

Color	Item No.	PU
● black	770-645	100
○ white	770-695	100

PU = Packaging Unit; SPU = Subpackaging Unit; Dimensions in mm

Snap-in Device Connector ▶ WINSTA® MIDI ▶ 770 Series

Pole No.: 5 ▶ Number of connection points: 2 ▶ Protection type: IP20

Male connector/plug



770-715

General mains applications

Color	Coding	Marking	Item No.	PU
● black	A	N ⊕ L1 L2 L3	770-715	50
○ white	A	N ⊕ L1 L2 L3	770-735	50

For „Clean Ground“ applications

Color	Coding	Marking	Item No.	PU
● green	Q	N PE1 PE2 PE3 L	770-2335	50

Measurement and regulation technology

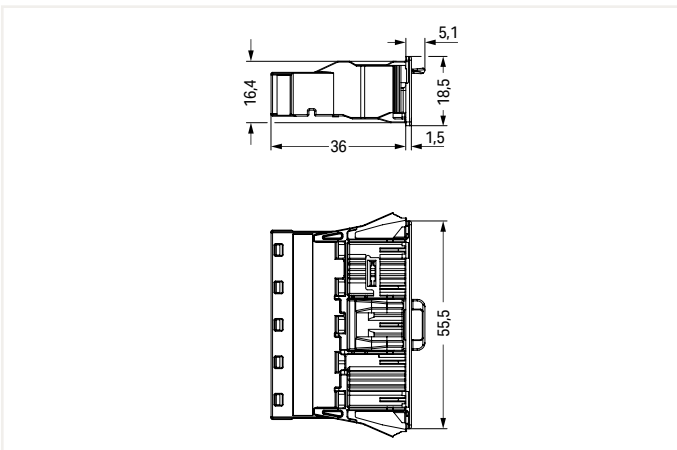
Color	Coding	Marking	Item No.	PU
● gray	B	1 2 3 4 5	770-755	50
● gray	B	N ⊕ L1 L2 L3	770-755/060-000	50
● gray	B	N ⊕ 3 2 1	770-755/062-000	50
● gray	B	N ⊕ L 2L 1L	770-755/064-000	50
● light green	B	1 2 3 4 5	770-775	50
● light green	B	1 ⊕ 2 3 4	770-775/073-000	50
● pink	B	1 2 3 4 5	770-795	50
● pink	B	N ⊕ L I- I+	770-795/080-000	50
● pink	B	N ⊕ L - +	770-795/082-000	50

DALI, Lighting Management

Color	Coding	Marking	Item No.	PU
● blue	I	N ⊕ L DA- DA+	770-2115	50

EDV (UPS)

Color	Coding	Marking	Item No.	PU
● red	P	N ⊕ L1 L2 L3	770-2315	50



Accessories; for all products on this page



Lockout cap; for plugs; separable; Pole No.: 5		
Color	Item No.	PU
● yellow	770-360	100



Lockout cap; for cutout; Pole No.: 5		
Color	Item No.	PU
● black	770-645	100
○ white	770-695	100

PU = Packaging Unit; SPU = Subpackaging Unit; Dimensions in mm

Snap-in Device Connector ▶ WINSTA® MIDI ▶ 770 Series

Pole No.: 5 ▶ Number of connection points: 2 ▶ Protection type: IP20

with protruding interface ▶ Female connector/socket

with direct ground contact ▶ Male connector/plug



770-705/009-000



770-715/007-000

General mains applications

Color	Coding	Marking	Item No.	PU
● black	A	N ⊕ L1 L2 L3	770-705/009-000	50
○ white	A	N ⊕ L1 L2 L3	770-725/009-000	50

General mains applications

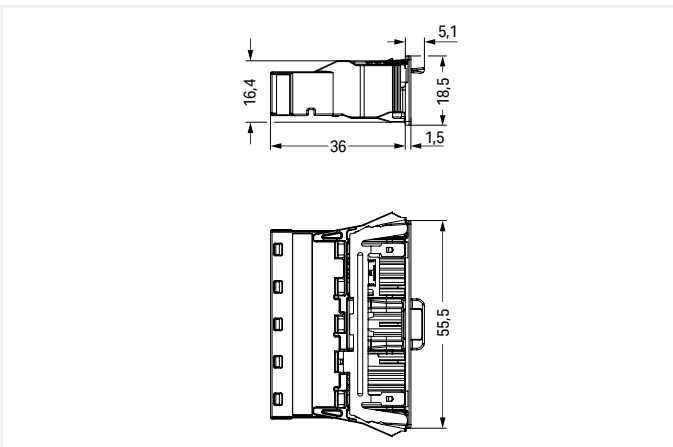
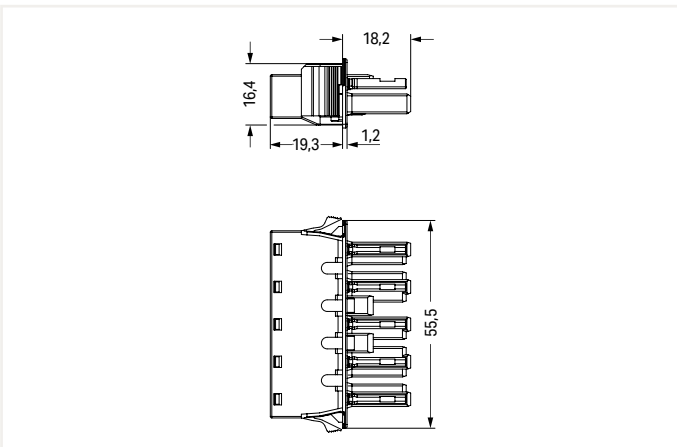
Color	Coding	Marking	Item No.	PU
● black	A	N ⊕ L1 L2 L3	770-715/007-000	50
○ white	A	N ⊕ L1 L2 L3	770-735/007-000	50

DALI, Lighting Management

Color	Coding	Marking	Item No.	PU
● blue	I	N ⊕ L DA- DA+	770-2115/007-000	50

For „Clean Ground“ applications

Color	Coding	Marking	Item No.	PU
● green	Q	N PE1 PE2 PE3 L	770-2335/007-000	50



Item-Specific Accessories



Lockout cap; for socket; separable; Pole No.: 12

Color	Item No.	PU
● black	770-201	100
○ white	770-221	100

Item-Specific Accessories



Lockout cap; for plugs; separable; Pole No.: 5

Color	Item No.	PU
● yellow	770-360	100

Accessories; for all products on this page



Lockout cap; for cutout; Pole No.: 5

Color	Item No.	PU
● black	770-645	100
○ white	770-695	100

PU = Packaging Unit; SPU = Subpackaging Unit; Dimensions in mm

Pluggable PCB Connector ▶ WINSTA® MIDI ▶ 770 Series

Pole No.: 5



- Protected against mismatching and maintenance-free
- Push-in CAGE CLAMP® spring pressure connection technology allows solid conductors to be simply pushed into a unit.
- Two wire connections per pole for loops or bridges
- Additional variable coding is possible.

Electrical Data			
Coding	A;B;I		
Ratings per	IEC/EN 60664-1		
Overvoltage category	III	III	II
Pollution degree	3	2	2
Rated voltage	400 V	-	-
Rated impulse voltage	6 kV	-	-
Rated current	25 A	-	-
Approbations per	UL 1977		
Rated voltage	600 V		
Rated current	23 A		

Material Data	
Insulation material	Polyamide (PA66)
Clamping spring material	Chrome nickel spring steel (CrNi)
Contact material	Copper or copper alloy (surface-treated)

Mechanical Data	
Solder pin arrangement	2 in-line solder pins/pole
Solder pin length	3.5 mm
Solder pin dimensions	1 x 0.8 mm
Drilled hole diameter with tolerance	1.5 ^(+0.1...+0.1) mm
Number of mating cycles	200, without resistive load
Mating force of a plug-in connection	approx. 20 ... 70 N (depending on pole number)
Unmating force of a plug-in connection	Unlocked: approx. 20 ... 70 N (depending on pole number)
Retention force of a plug-in connection	Locked: > 80 N

Environmental Requirements	
Processing temperature	-5 ... +40 °C
Continuous operating temperature	-35 ... +85 °C
Note on continuous operating temperature	Insulating parts for temperatures ≤ 105 °C

All WINSTA® components are 100% protected against mismatching when:

- plugging different numbers of poles
- plugging while rotated 180
- plugging while laterally staggered
- plugging one pole

Coding Page 379

See technical section for further information

For approvals and corresponding ratings, visit www.wago.com

Pluggable PCB Connector ▶ WINSTA® MIDI ▶ 770 Series

Pole No.: 5

straight ▶ Female connector/socket



770-805

2

General mains applications

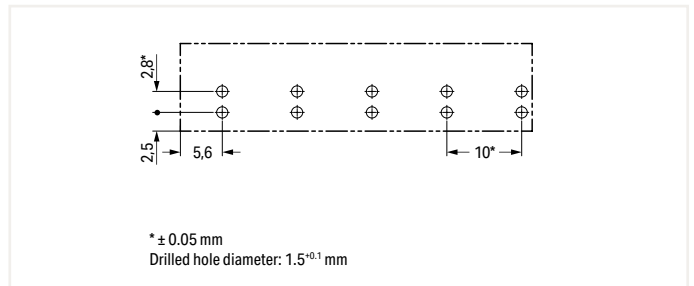
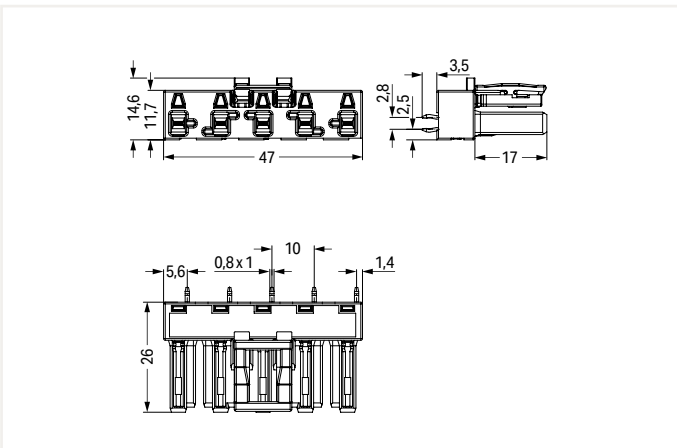
Color	Coding	Marking	Item No.	PU
● black	A	N ⊕ L1 L2 L3	770-805	50
○ white	A	N ⊕ L1 L2 L3	770-825	50

Measurement and regulation technology

Color	Coding	Marking	Item No.	PU
● gray	B	1 2 3 4 5	770-845	50
● gray	B	N ⊕ L1 L2 L3	770-845/060-000	50
● gray	B	N ⊕ 3 2 1	770-845/062-000	50
● gray	B	N ⊕ L2L 1L	770-845/064-000	50
● light green	B	1 2 3 4 5	770-865	50
● light green	B	1 ⊕ 2 3 4	770-865/073-000	50
● pink	B	1 2 3 4 5	770-885	50
● pink	B	N ⊕ L I- I+	770-885/080-000	50
● pink	B	N ⊕ L - +	770-885/082-000	50

DALI, Lighting Management

Color	Coding	Marking	Item No.	PU
● blue	I	N ⊕ L DA- DA+	770-3105	50



Accessories; for all products on this page



Lockout cap; for socket; separable; Pole No.: 12

Color	Item No.	PU
● black	770-201	100
○ white	770-221	100

PU = Packaging Unit; SPU = Subpackaging Unit; Dimensions in mm

Pluggable PCB Connector ▶ WINSTA® MIDI ▶ 770 Series

Pole No.: 5

straight ▶ Male connector/plug



770-815

General mains applications

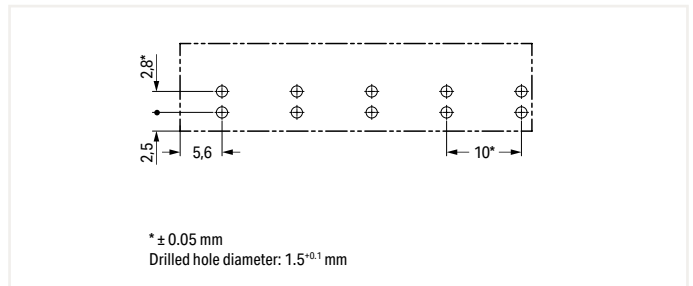
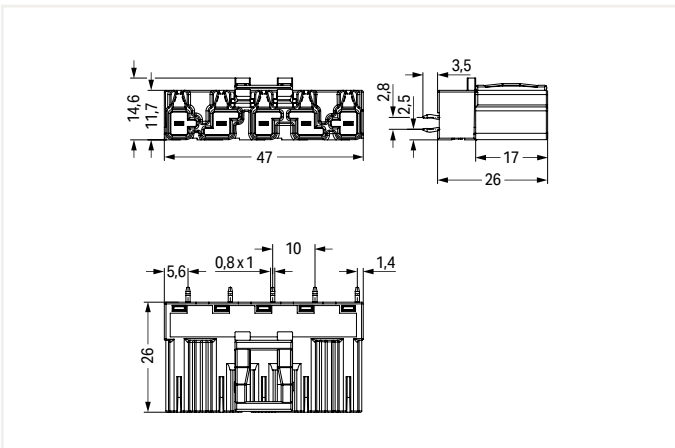
Color	Coding	Marking	Item No.	PU
● black	A	N ⊕ L1 L2 L3	770-815	50
○ white	A	N ⊕ L1 L2 L3	770-835	50

Measurement and regulation technology

Color	Coding	Marking	Item No.	PU
● gray	B	1 2 3 4 5	770-855	50
● gray	B	N ⊕ L1 L2 L3	770-855/060-000	50
● gray	B	N ⊕ 3 2 1	770-855/062-000	50
● gray	B	N ⊕ L 2L 1L	770-855/064-000	50
● light green	B	1 2 3 4 5	770-875	50
● light green	B	1 ⊕ 2 3 4	770-875/073-000	50
● pink	B	1 2 3 4 5	770-895	50
● pink	B	N ⊕ L I- I+	770-895/080-000	50
● pink	B	N ⊕ L - +	770-895/082-000	50

DALI, Lighting Management

Color	Coding	Marking	Item No.	PU
● blue	I	N ⊕ L DA- DA+	770-3115	50



Accessories; for all products on this page



Lockout cap; for plugs; separable; Pole No.: 5

Color	Item No.	PU
● yellow	770-360	100

PU = Packaging Unit; SPU = Subpackaging Unit; Dimensions in mm

Pluggable PCB Connector ▶ WINSTA® MIDI ▶ 770 Series

Pole No.: 5

angled ▶ Female connector/socket



770-805/011-000

2

General mains applications

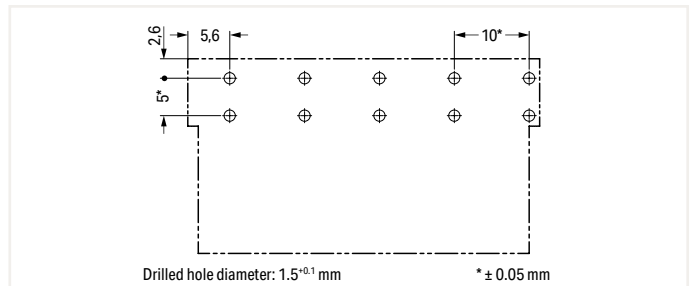
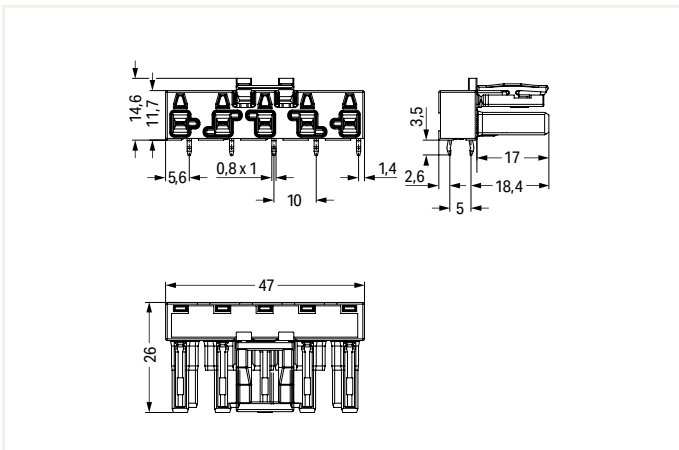
Color	Coding	Marking	Item No.	PU
● black	A	N ⊕ L1 L2 L3	770-805/011-000	50
○ white	A	N ⊕ L1 L2 L3	770-825/011-000	50

Measurement and regulation technology

Color	Coding	Marking	Item No.	PU
● gray	B	1 2 3 4 5	770-845/011-000	50
● gray	B	N ⊕ L1 L2 L3	770-845/011-000/060-000	50
● gray	B	N ⊕ 3 2 1	770-845/011-000/062-000	50
● gray	B	N ⊕ L 2L 1L	770-845/011-000/064-000	50
● light green	B	1 2 3 4 5	770-865/011-000	50
● pink	B	N ⊕ L I- I+	770-885/011-000/080-000	50
● pink	B	1 2 3 4 5	770-885/011-000	50
● pink	B	N ⊕ L - +	770-885/011-000/082-000	50

DALI, Lighting Management

Color	Coding	Marking	Item No.	PU
● blue	I	N ⊕ L DA- DA+	770-3105/011-000	50



Accessories; for all products on this page



Lockout cap; for socket; separable; Pole No.: 12

Color	Item No.	PU
● black	770-201	100
○ white	770-221	100

PU = Packaging Unit; SPU = Subpackaging Unit; Dimensions in mm

Pluggable PCB Connector ▶ WINSTA® MIDI ▶ 770 Series

Pole No.: 5

angled ▶ Male connector/plug



770-815/011-000

General mains applications

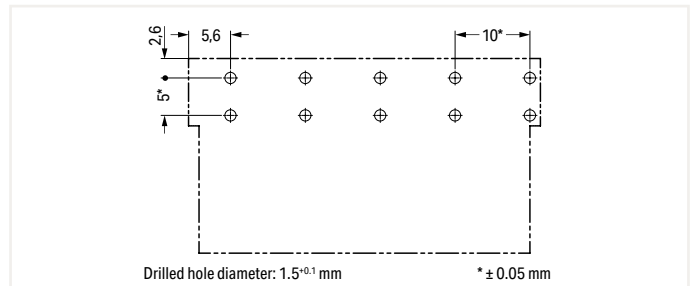
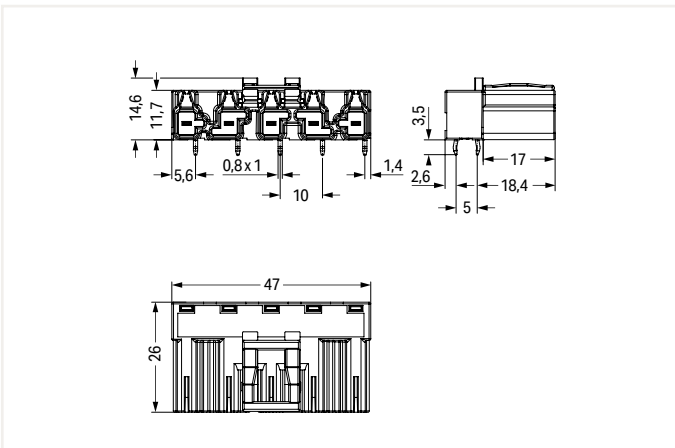
Color	Coding	Marking	Item No.	PU
● black	A	N ⊕ L1 L2 L3	770-815/011-000	50
○ white	A	N ⊕ L1 L2 L3	770-835/011-000	50

Measurement and regulation technology

Color	Coding	Marking	Item No.	PU
● gray	B	1 2 3 4 5	770-855/011-000	50
● gray	B	N ⊕ L1 L2 L3	770-855/011-000/060-000	50
● gray	B	N ⊕ 3 2 1	770-855/011-000/062-000	50
● gray	B	N ⊕ L 2L 1L	770-855/011-000/064-000	50
● light green	B	1 2 3 4 5	770-875/011-000	50
● light green	B	1 ⊕ 2 3 4	770-875/011-000/073-000	50
● pink	B	N ⊕ L I- I+	770-895/011-000/080-000	50
● pink	B	1 2 3 4 5	770-895/011-000	50
● pink	B	N ⊕ L - +	770-895/011-000/082-000	50

DALI, Lighting Management

Color	Coding	Marking	Item No.	PU
● blue	I	N ⊕ L DA- DA+	770-3115/011-000	50



Accessories; for all products on this page



Lockout cap; for plugs; separable; Pole No.: 5

Color	Item No.	PU
● yellow	770-360	100

PU = Packaging Unit; SPU = Subpackaging Unit; Dimensions in mm

Distribution Connector ▶ WINSTA® MIDI ▶ 770 Series

Pole No.: 5



- Protected against mismatching and maintenance-free
- Additional variable coding is possible.

Electrical Data			
Coding	A;B;L;P		
Ratings per	IEC/EN 60664-1		
Overvoltage category	III	III	II
Pollution degree	3	2	2
Rated voltage	400 V	-	-
Rated impulse voltage	6 kV	-	-
Rated current	25 A	-	-
Approbations per	UL 1977		
Rated voltage	600 V		
Rated current	23 A		

Material Data	
Insulation material	Polyamide (PA66)
Contact material	Copper or copper alloy (surface-treated)

Mechanical Data	
Number of mating cycles	200, without resistive load
Mating force of a plug-in connection	Approx. 20 ... 70 N (depending on pole number)
Unmating force of a plug-in connection	Unlocked: approx. 20 ... 70 N (depending on pole number)
Retention force of a plug-in connection	When locked: > 80 N
Protection type	IP20
Note on protection type	When mated: IP2xC (These compact connectors are not designed for use in open, easily accessible areas!)

Environmental Requirements	
Processing temperature	-5 ... +40 °C
Continuous operating temperature	-35 ... +85 °C
Note on continuous operating temperature	Insulating parts for temperatures ≤ 105 °C

All WINSTA® components are 100% protected against mismatching when:

- plugging different numbers of poles
- plugging while rotated 180
- plugging while laterally staggered
- plugging one pole

At least one snap-in connector **without** a locking lever is required on one side when connecting two lights directly via intermediate coupler.

Tool Page 400

See technical section for further information

For approvals and corresponding ratings, visit www.wago.com

Distribution Connector ▶ WINSTA® MIDI ▶ 770 Series

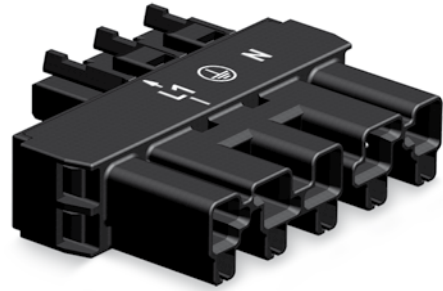
Pole No.: 5

Intermediate coupler

Intermediate coupler ▶ 5- to 3-pole; L1 - L



770-605



770-901

General mains applications

Color	Coding	Marking	Item No.	PU
● black	A	plain	770-605	100
○ white	A	plain	770-655	100

DALI, Lighting Management

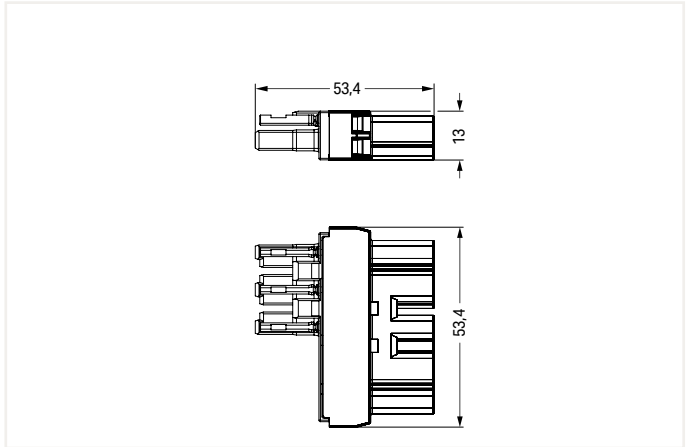
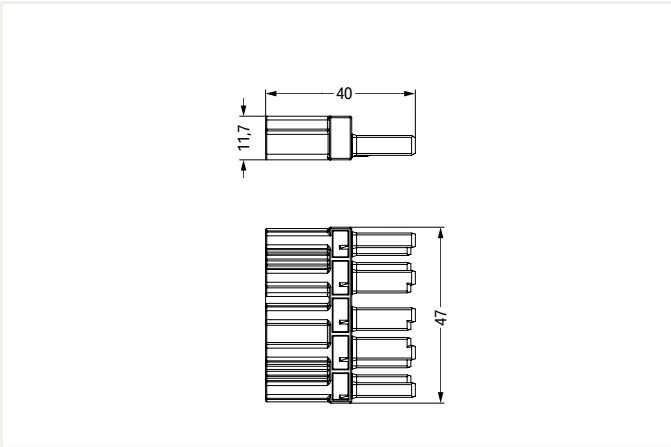
Color	Coding	Marking	Item No.	PU
● blue	I	plain	770-619	100

General mains applications

Color	Coding	Marking	Item No.	PU
● black	A	L1 - L ⊕ N	770-901	50
○ white	A	L1 - L ⊕ N	770-951	50

EDV (UPS)

Color	Coding	Marking	Item No.	PU
● red	P	L1 - L ⊕ N	770-911	50



Accessories; for all products on this page



Lockout cap; for socket; separable; Pole No.: 12			
Color	Item No.	PU	
● black	770-201	100	
○ white	770-221	100	



Lockout cap; for plugs; separable; Pole No.: 5			
Color	Item No.	PU	
● yellow	770-360	100	

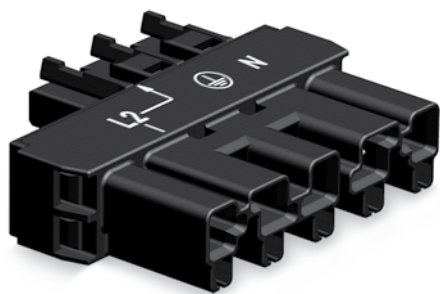
PU = Packaging Unit; SPU = Subpackaging Unit; Dimensions in mm

Distribution Connector ▶ WINSTA® MIDI ▶ 770 Series

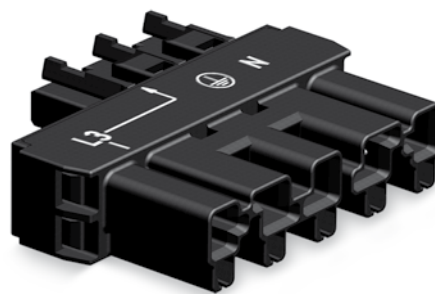
Pole No.: 5

Intermediate coupler ▶ 5- to 3-pole; L2 - L

Intermediate coupler ▶ 5- to 3-pole; L3 - L



770-902



770-903

General mains applications

Color	Coding	Marking	Item No.	PU
● black	A	L2 - L ⊕ N	770-902	50
○ white	A	L2 - L ⊕ N	770-952	50

General mains applications

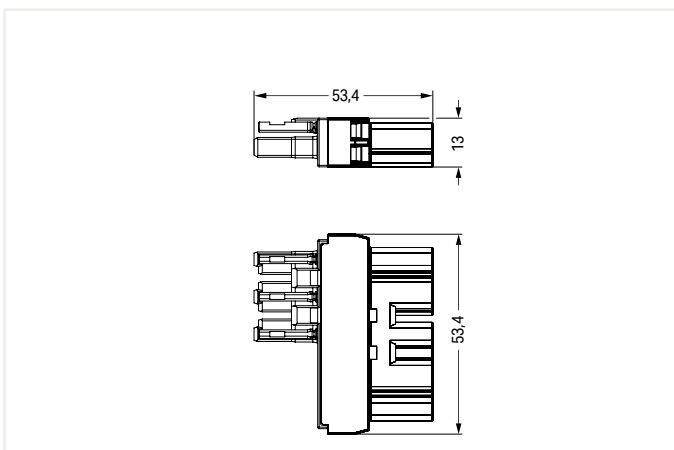
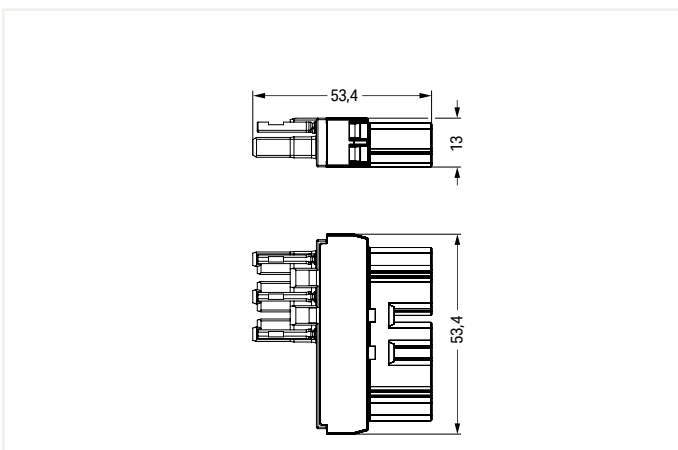
Color	Coding	Marking	Item No.	PU
● black	A	L3 - L ⊕ N	770-903	50
○ white	A	L3 - L ⊕ N	770-953	50

EDV (UPS)

Color	Coding	Marking	Item No.	PU
● red	P	L2 - L ⊕ N	770-912	50

EDV (UPS)

Color	Coding	Marking	Item No.	PU
● red	P	L3 - L ⊕ N	770-913	50



Accessories; for all products on this page



Color	Item No.	PU
● black	770-201	100
○ white	770-221	100



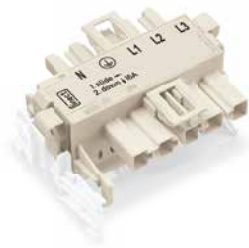
Color	Item No.	PU
● yellow	770-360	100

PU = Packaging Unit; SPU = Subpackaging Unit; Dimensions in mm

Distribution Connector ▶ WINSTA® MIDI ▶ 770 Series

Pole No.: 5

Linect® T-connector



770-6225

General mains applications

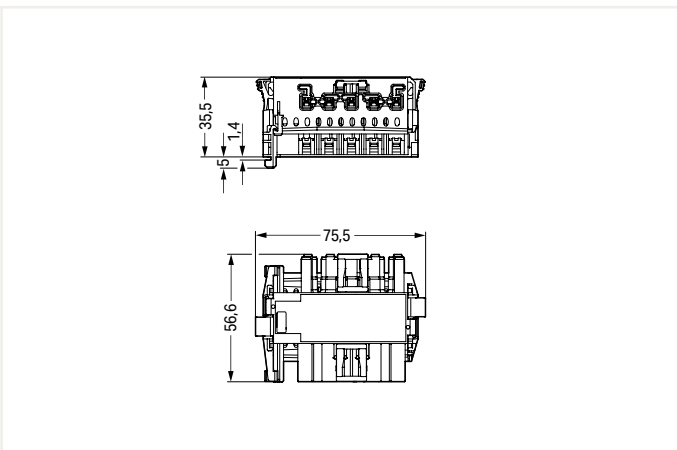
Cover Color	Coding	Marking	Item No.	PU
○ white	A	N ⊕ L1 L2 L3	770-6225	20

DALI, Lighting Management

Cover Color	Coding	Marking	Item No.	PU
● blue	I	N ⊕ L DA- DA+	770-7105	20

Emergency power supply

Cover Color	Coding	Marking	Item No.	PU
● dark gray	L	N ⊕ L N' L'	770-7505	20



2

Accessories; for all products on this page



Lockout cap; for socket; separable; Pole No.: 12			
Color	Item No.	PU	
● black	770-201	100	
○ white	770-221	100	

Lockout cap; for plugs; separable; Pole No.: 5			
Color	Item No.	PU	
● yellow	770-360	100	

PU = Packaging Unit; SPU = Subpackaging Unit; Dimensions in mm

Distribution Connector ▶ WINSTA® MIDI ▶ 770 Series

Pole No.: 5

T-distribution connector ▶ Number of locking levers: 2

T-distribution connector ▶ for flying leads ▶ Number of locking levers: 3



770-621



770-621

General mains applications

Color	Coding	Marking	Item No.	PU
● black	A	N ⊕ L1 L2 L3	770-621	50
○ white	A	N ⊕ L1 L2 L3	770-671	50

Measurement and regulation technology

Color	Coding	Marking	Item No.	PU
● gray	B	1 2 3 4 5	770-1641	50
● light green	B	1 2 3 4 5	770-1642	50
● pink	B	1 2 3 4 5	770-1643	50

DALI, Lighting Management

Color	Coding	Marking	Item No.	PU
● blue	I	N ⊕ L DA- DA+	770-617	50

EDV (UPS)

Color	Coding	Marking	Item No.	PU
● red	P	N ⊕ L1 L2 L3	770-921	50

General mains applications

Color	Coding	Marking	Item No.	PU
● black	A	N ⊕ L1 L2 L3	770-622	50
○ white	A	N ⊕ L1 L2 L3	770-672	50

Measurement and regulation technology

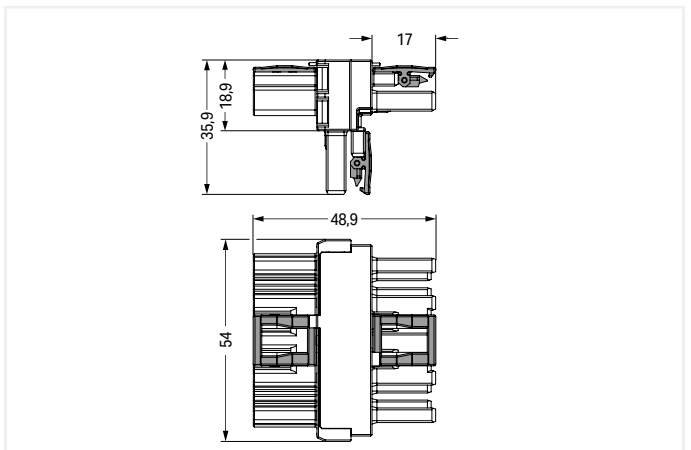
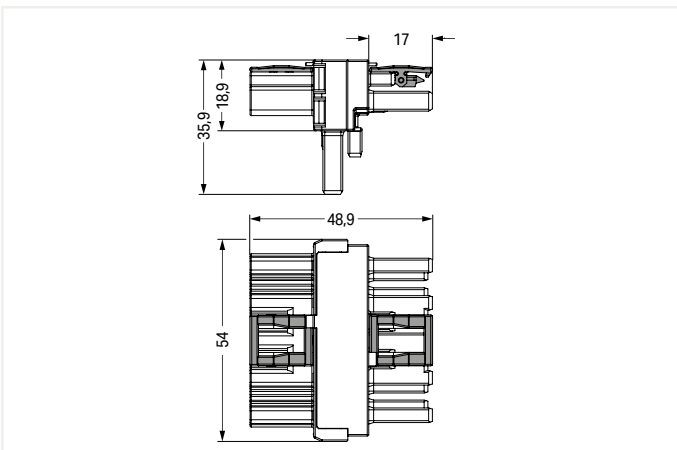
Color	Coding	Marking	Item No.	PU
● gray	B	1 2 3 4 5	770-1741	50
● light green	B	1 2 3 4 5	770-1742	50
● pink	B	1 2 3 4 5	770-1743	50

DALI, Lighting Management

Color	Coding	Marking	Item No.	PU
● blue	I	N ⊕ L DA- DA+	770-620	50

EDV (UPS)

Color	Coding	Marking	Item No.	PU
● red	P	N ⊕ L1 L2 L3	770-922	50



Accessories; for all products on this page



Lockout cap; for socket; separable; Pole No.: 12			
Color	Item No.	PU	
● black	770-201	100	
○ white	770-221	100	

Lockout cap; for plugs; separable; Pole No.: 5			
Color	Item No.	PU	
● yellow	770-360	100	

PU = Packaging Unit; SPU = Subpackaging Unit; Dimensions in mm

Distribution Connector ▶ WINSTA® MIDI ▶ 770 Series

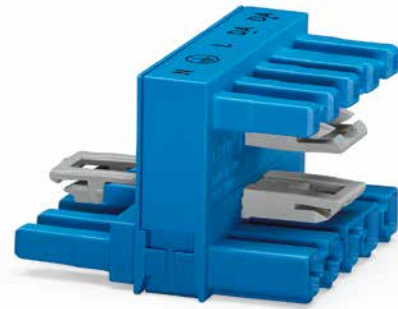
Pole No.: 5

h-distribution connector (bi-directional) ▶ Number of locking levers: 2

h-distribution connector (bi-directional) ▶ for flying leads ▶ Number of locking levers: 3



770-992

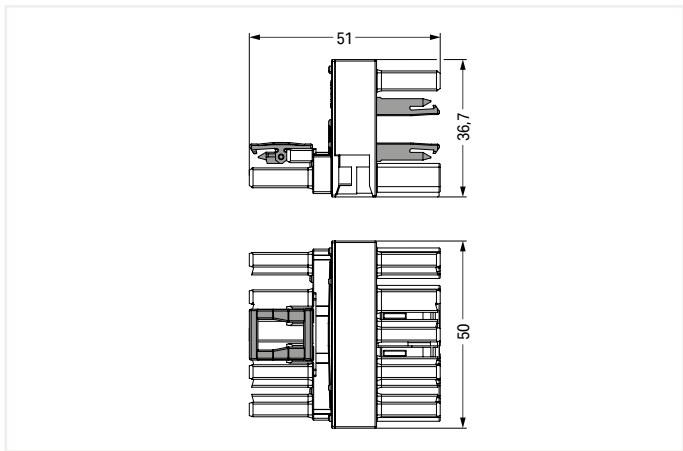
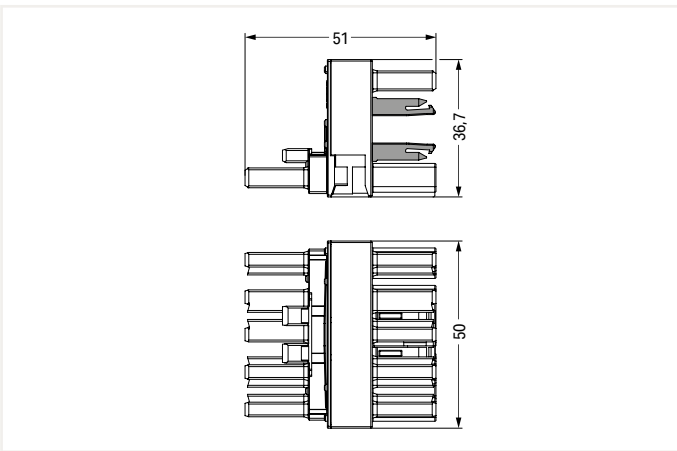


770-993

2

DALI, Lighting Management				
Color	Coding	Marking	Item No.	PU
● blue	I	N ⊕ L DA- DA+	770-992	25

DALI, Lighting Management				
Color	Coding	Marking	Item No.	PU
● blue	I	N ⊕ L DA- DA+	770-993	25



Accessories; for all products on this page



Lockout cap; for socket; separable; Pole No.: 12		
Color	Item No.	PU
● black	770-201	100
○ white	770-221	100



Lockout cap; for plugs; separable; Pole No.: 5		
Color	Item No.	PU
● yellow	770-360	100



Mounting plate; for distribution connectors (except T-distribution connectors); 5-pole		
Color	Item No.	PU
● black	770-625	25
○ white	770-675	25

PU = Packaging Unit; SPU = Subpackaging Unit; Dimensions in mm

Distribution Connector ▶ WINSTA® MIDI ▶ 770 Series

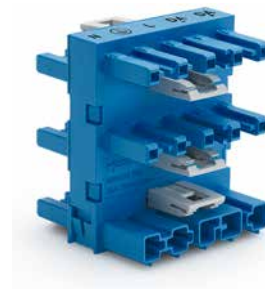
Pole No.: 5

Distribution connector, 3-way,

Distribution connector (5-way)



770-609



770-1947

General mains applications

Color	Coding	Marking	Item No.	PU
● black	A	N ⊕ L1 L2 L3	770-609	25
○ white	A	N ⊕ L1 L2 L3	770-659	25

DALI, Lighting Management

Color	Coding	Marking	Item No.	PU
● blue	I	N ⊕ L DA- DA+	770-1947	20

Measurement and regulation technology

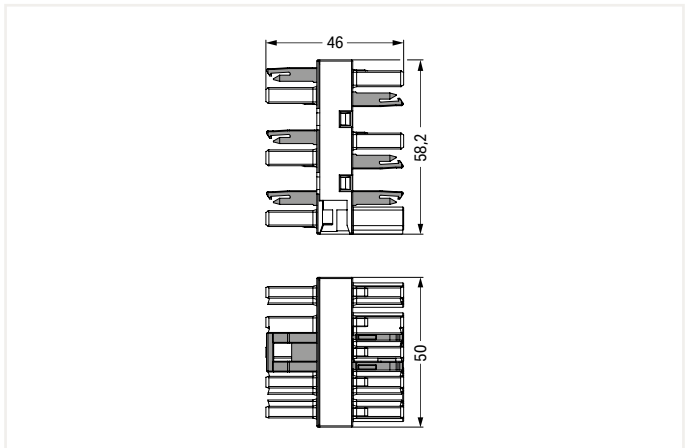
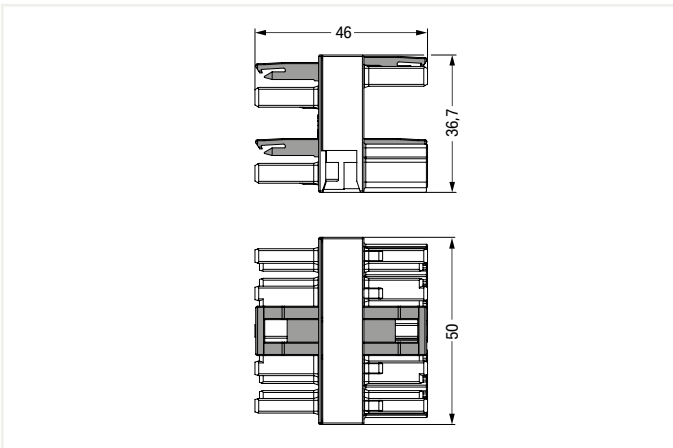
Color	Coding	Marking	Item No.	PU
● gray	B	1 2 3 4 5	770-1744	25
● light green	B	1 2 3 4 5	770-1745	25
● pink	B	1 2 3 4 5	770-1746	25

DALI, Lighting Management

Color	Coding	Marking	Item No.	PU
● blue	I	N ⊕ L DA- DA+	770-618	25

EDV (UPS)

Color	Coding	Marking	Item No.	PU
● red	P	N ⊕ L1 L2 L3	770-909	25



Accessories; for all products on this page



Color	Item No.	PU
● black	770-201	100
○ white	770-221	100



Color	Item No.	PU
● yellow	770-360	100



Color	Item No.	PU
● black	770-625	25
○ white	770-675	25

PU = Packaging Unit; SPU = Subpackaging Unit; Dimensions in mm

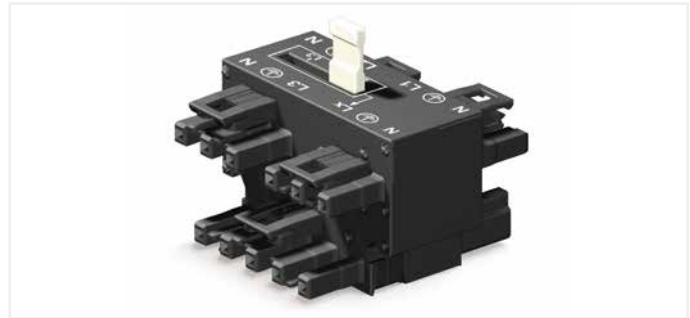
Distribution Connector ▶ WINSTA® MIDI ▶ 770 Series

Pole No.: 5

Three-phase to single-phase distribution connector



770-640



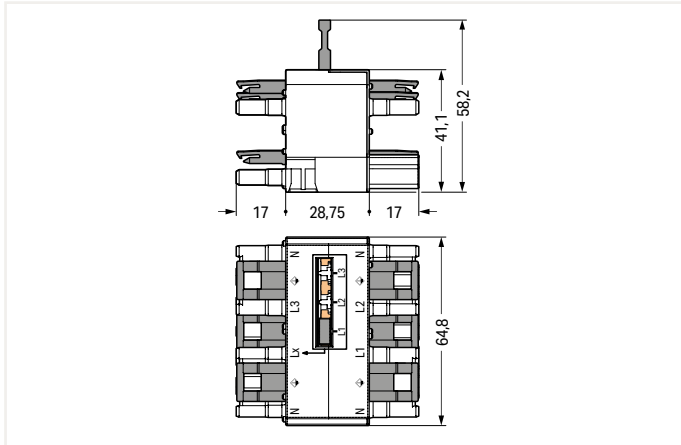
Movable jumper

General mains applications

Color	Coding	Marking	Item No.	PU
● black	A		770-640	10
○ white	A		770-690	10

EDV (UPS)

Color	Coding	Marking	Item No.	PU
● red	P		770-940	10



Jumper pushed down, flush with the housing (position L1)



Additional h-distribution connectors double L1 and L3.

This results in the following connection option:
L1/L1/L2/L2/L3/L3 with jumper in position L2

Notice: h-distribution connectors can only be plugged on L1 and L3.

Accessories; for all products on this page



Lockout cap; for socket; separable; Pole No.: 12		
Color	Item No.	PU
● black	770-201	100
○ white	770-221	100



Lockout cap; for plugs; separable; Pole No.: 5		
Color	Item No.	PU
● yellow	770-360	100



Mounting plate; for distribution connectors (except T-distribution connectors); 5-pole		
Color	Item No.	PU
● black	770-625	25
○ white	770-675	25

PU = Packaging Unit; SPU = Subpackaging Unit; Dimensions in mm

Distribution Connector ▶ WINSTA® MIDI ▶ 770 Series Pole No.: 5

Distribution connector with phase selection



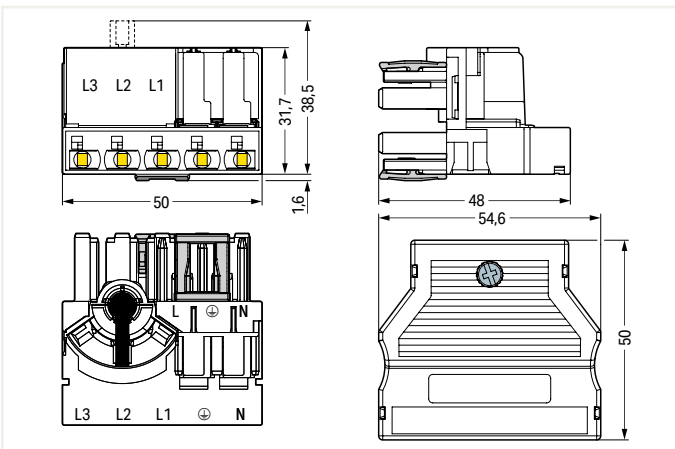
770-611



Lift jumper out of delivery position (L2) using a screwdriver and move it into the desired position.

General mains applications

Color	Coding	Marking	Item No.	PU
● black	A	N ⊕ L1 L2 L3	770-611	10
○ white	A	N ⊕ L1 L2 L3	770-661	10



Push down jumper in its new position (picture shows L3).



The 5-pole energy circuit can be extended using pluggable cable assemblies.



Plugging a 3-pole tap-off cable.

Accessories; for all products on this page



Lockout cap; for socket; separable; Pole No.: 12		
Color	Item No.	PU
● black	770-201	100
○ white	770-221	100



Lockout cap; for plugs; separable; Pole No.: 5		
Color	Item No.	PU
● yellow	770-360	100



Mounting plate; for distribution connectors (except T-distribution connectors); 5-pole		
Color	Item No.	PU
● black	770-625	25
○ white	770-675	25

PU = Packaging Unit; SPU = Subpackaging Unit; Dimensions in mm

Cable Assembly ▶ WINSTA® MIDI ▶ 771 Series

Pole No.: 5 ▶ Protection type: IP20 ▶ Fire class per EN 50575: E_{ca}

- Protected against mismatching and maintenance-free
- Additional variable coding is possible.

Electrical Data									
Coding	A;B;L;P			A;L;P			A		
Wire cross-section	1.5 mm ²			2.5 mm ²			4 mm ²		
Ratings per	IEC/EN 60664-1			IEC/EN 60664-1			IEC/EN 60664-1		
Overtoltage category	III	III	II	III	III	II	III	III	II
Pollution degree	3	2	2	3	2	2	3	2	2
Rated voltage	400 V	-	-	400 V	-	-	400 V	-	-
Rated impulse voltage	6 kV	-	-	6 kV	-	-	6 kV	-	-
Rated current	16 A	-	-	20 A	-	-	25 A	-	-

Electrical Data									
Coding	B								
Wire cross-section	1 mm ²								
Ratings per	IEC/EN 60664-1								
Overtoltage category	III	III	II						
Pollution degree	3	2	2						
Rated voltage	400 V	-	-						
Rated impulse voltage	6 kV	-	-						
Rated current	10 A	-	-						

Material Data	
Insulation material	Polyamide (PA66)
Contact material	Copper or copper alloy (surface-treated)
Fire class per EN 50575	E _{ca}

Mechanical Data	
Number of mating cycles	200, without resistive load
Mating force of a plug-in connection	approx. 20 ... 70 N (depending on pole number)
Unmating force of a plug-in connection	when unlocked: approx. 20 ... 70 N (depending on pole number)
Retention force of a plug-in connection	when locked: > 80N
Protection type	IP20
Note on protection type	When mated: IP2xC (These compact connectors are not designed for use in open, easily accessible areas!)

Environmental Requirements	
Processing temperature	-5 ... +40 °C
Continuous operating temperature	-35 ... +85 °C
Note on continuous operating temperature	PVC cable for temperatures ≤ 70 °C (including halogen-free) Insulating parts for temperatures ≤ 105 °C

All WINSTA® components are 100% protected against mismatching when:

- plugging different numbers of poles
- plugging while rotated 180
- plugging while laterally staggered
- plugging one pole

Cables with a different fire class can be found in the eShop.

Cover Page 380

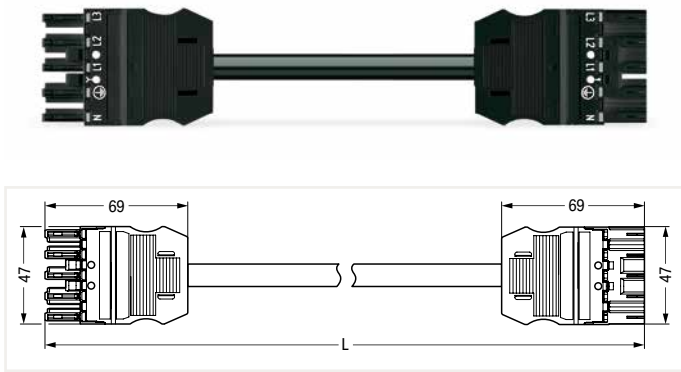
Marking Page 405

See technical section for further information

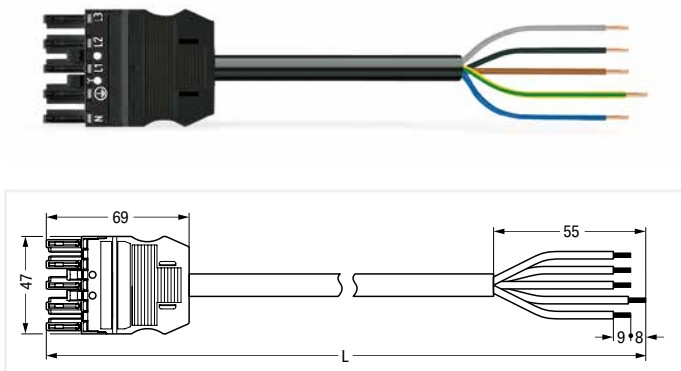
For approvals and corresponding ratings, visit www.wago.com

Cable Assembly ▶ WINSTA® MIDI ▶ 771 Series

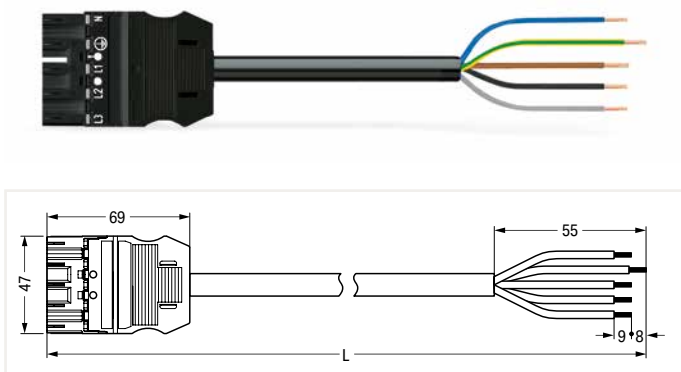
Pole No.: 5 ▶ Protection type: IP20 ▶ Fire class per EN 50575: E_{ca} ▶ Coding: A ▶ 1.5 mm² ▶ Marking: N ⊕ L1 L2 L3 ▶ PVC ▶ Sheathed cable diameter: 9.3 ... 11.6 mm ▶ H05VV-F 5G1.5 ▶ General mains applications



Total length	Connector color/Strain relief color		PU
	black/black	white/white	
1 m	771-9995/006-101	771-9995/006-102	1
2 m	771-9995/006-201	771-9995/006-202	1
3 m	771-9995/006-301	771-9995/006-302	1
4 m	771-9995/006-401	771-9995/006-402	1
5 m	771-9995/006-501	771-9995/006-502	1
6 m	771-9995/006-601	771-9995/006-602	1
7 m	771-9995/006-701	771-9995/006-702	1
8 m	771-9995/006-801	771-9995/006-802	1



Total length	Connector color/Strain relief color		PU
	black/black	white/white	
1 m	771-9995/106-101	771-9995/106-102	1
2 m	771-9995/106-201	771-9995/106-202	1
3 m	771-9995/106-301	771-9995/106-302	1
4 m	771-9995/106-401	771-9995/106-402	1
5 m	771-9995/106-501	771-9995/106-502	1
6 m	771-9995/106-601	771-9995/106-602	1
7 m	771-9995/106-701	771-9995/106-702	1
8 m	771-9995/106-801	771-9995/106-802	1



Total length	Connector color/Strain relief color		PU
	black/black	white/white	
1 m	771-9995/206-101	771-9995/206-102	1
2 m	771-9995/206-201	771-9995/206-202	1
3 m	771-9995/206-301	771-9995/206-302	1
4 m	771-9995/206-401	771-9995/206-402	1
5 m	771-9995/206-501	771-9995/206-502	1
6 m	771-9995/206-601	771-9995/206-602	1
7 m	771-9995/206-701	771-9995/206-702	1
8 m	771-9995/206-801	771-9995/206-802	1

Accessories; for all products on this page



Locking lever; for flying leads; manually operated		
Color	Item No.	PU (SPU)
● black	770-101	100 (25)
○ white	770-121	100 (25)



Locking lever; for flying leads; tool operated		
Color	Item No.	PU (SPU)
● black	770-111	100 (25)
○ white	770-131	100 (25)



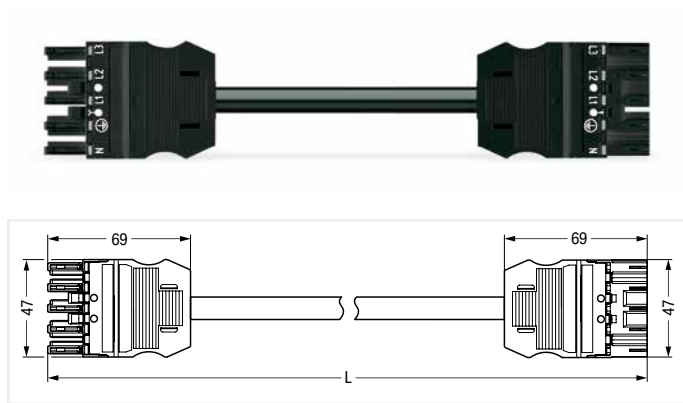
Mounting carrier; for flying leads; 2- to 5-pole		
Color	Item No.	PU
● black	770-310	25

PU = Packaging Unit; SPU = Subpackaging Unit; Dimensions in mm

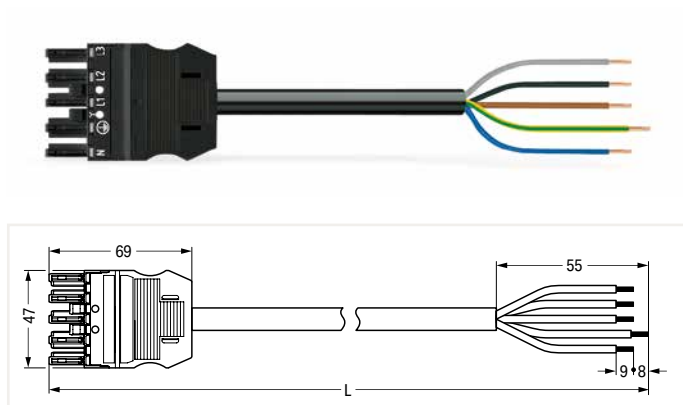
Cable Assembly ▶ WINSTA® MIDI ▶ 771 Series

Pole No.: 5 ▶ Protection type: IP20 ▶ Fire class per EN 50575: E_{ca} ▶ Coding: A ▶ 1.5 mm² ▶ Marking: N ⊕ L1 L2 L3 ▶ Halogen-free ▶ Sheathed cable diameter: 9.3 ... 11.6 mm ▶ H05Z1Z1-F 5G1.5 ▶ General mains applications

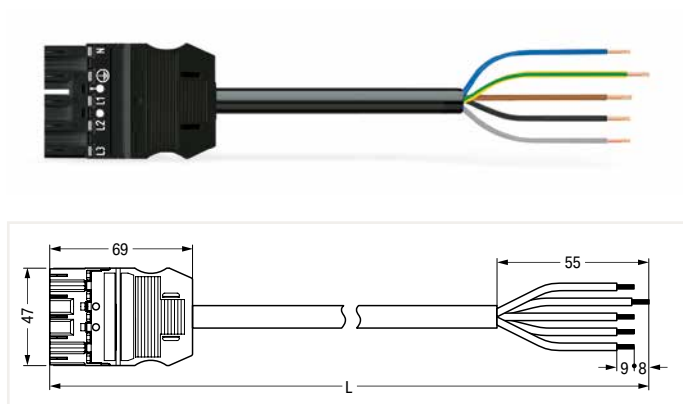
2



Total length	Connector color/Strain relief color		PU
	black/black	white/white	
1 m	771-9995/016-101	771-9995/016-102	1
2 m	771-9995/016-201	771-9995/016-202	1
3 m	771-9995/016-301	771-9995/016-302	1
4 m	771-9995/016-401	771-9995/016-402	1
5 m	771-9995/016-501	771-9995/016-502	1
6 m	771-9995/016-601	771-9995/016-602	1
7 m	771-9995/016-701	771-9995/016-702	1
8 m	771-9995/016-801	771-9995/016-802	1



Total length	Connector color/Strain relief color		PU
	black/black	white/white	
1 m	771-9995/116-101	771-9995/116-102	1
2 m	771-9995/116-201	771-9995/116-202	1
3 m	771-9995/116-301	771-9995/116-302	1
4 m	771-9995/116-401	771-9995/116-402	1
5 m	771-9995/116-501	771-9995/116-502	1
6 m	771-9995/116-601	771-9995/116-602	1
7 m	771-9995/116-701	771-9995/116-702	1
8 m	771-9995/116-801	771-9995/116-802	1



Total length	Connector color/Strain relief color		PU
	black/black	white/white	
1 m	771-9995/216-101	771-9995/216-102	1
2 m	771-9995/216-201	771-9995/216-202	1
3 m	771-9995/216-301	771-9995/216-302	1
4 m	771-9995/216-401	771-9995/216-402	1
5 m	771-9995/216-501	771-9995/216-502	1
6 m	771-9995/216-601	771-9995/216-602	1
7 m	771-9995/216-701	771-9995/216-702	1
8 m	771-9995/216-801	771-9995/216-802	1

Accessories; for all products on this page



Locking lever; for flying leads; manually operated		
Color	Item No.	PU (SPU)
● black	770-101	100 (25)
○ white	770-121	100 (25)



Locking lever; for flying leads; tool operated		
Color	Item No.	PU (SPU)
● black	770-111	100 (25)
○ white	770-131	100 (25)

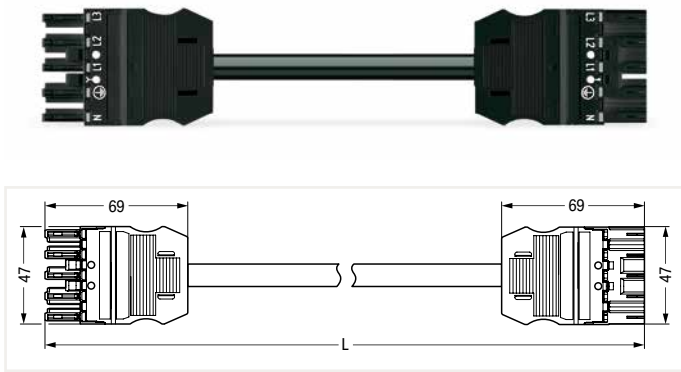


Mounting carrier; for flying leads; 2- to 5-pole		
Color	Item No.	PU
● black	770-310	25

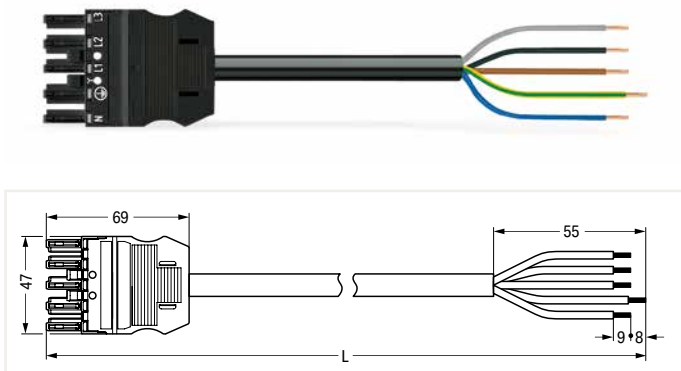
PU = Packaging Unit; SPU = Subpackaging Unit; Dimensions in mm

Cable Assembly ▶ WINSTA® MIDI ▶ 771 Series

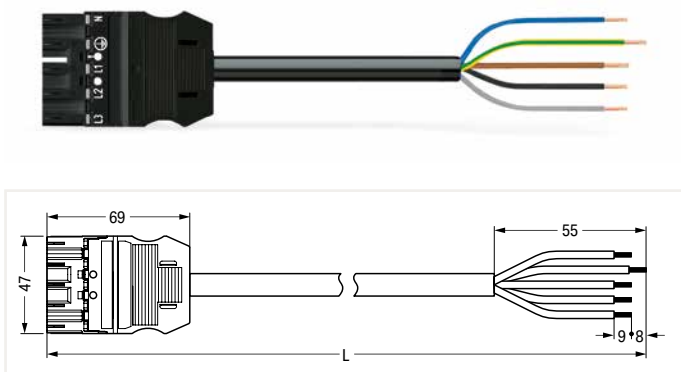
Pole No.: 5 ▶ Protection type: IP20 ▶ Fire class per EN 50575: E_{ca} ▶ Coding: A ▶ 2.5 mm² ▶ Marking: N ⊕ L1 L2 L3 ▶ PVC ▶ Sheathed cable diameter: 11.2 ... 13.9 mm ▶ H05VV-F 5G2.5 ▶ General mains applications



Interconnecting cable ▶ Socket - Plug			
Total length	Connector color/Strain relief color		PU
	black/black	white/white	
1 m	771-9995/007-101	771-9995/007-102	1
2 m	771-9995/007-201	771-9995/007-202	1
3 m	771-9995/007-301	771-9995/007-302	1
4 m	771-9995/007-401	771-9995/007-402	1
5 m	771-9995/007-501	771-9995/007-502	1
6 m	771-9995/007-601	771-9995/007-602	1
7 m	771-9995/007-701	771-9995/007-702	1
8 m	771-9995/007-801	771-9995/007-802	1



Connecting cable ▶ Socket - Free end ▶ Strip length (outer insulation): 55 mm			
Total length	Connector color/Strain relief color		PU
	black/black	white/white	
1 m	771-9995/107-101	771-9995/107-102	1
2 m	771-9995/107-201	771-9995/107-202	1
3 m	771-9995/107-301	771-9995/107-302	1
4 m	771-9995/107-401	771-9995/107-402	1
5 m	771-9995/107-501	771-9995/107-502	1
6 m	771-9995/107-601	771-9995/107-602	1
7 m	771-9995/107-701	771-9995/107-702	1
8 m	771-9995/107-801	771-9995/107-802	1



Connecting cable ▶ Plug - Free end ▶ Strip length (outer insulation): 55 mm			
Total length	Connector color/Strain relief color		PU
	black/black	white/white	
1 m	771-9995/207-101	771-9995/207-102	1
2 m	771-9995/207-201	771-9995/207-202	1
3 m	771-9995/207-301	771-9995/207-302	1
4 m	771-9995/207-401	771-9995/207-402	1
5 m	771-9995/207-501	771-9995/207-502	1
6 m	771-9995/207-601	771-9995/207-602	1
7 m	771-9995/207-701	771-9995/207-702	1
8 m	771-9995/207-801	771-9995/207-802	1

Accessories; for all products on this page



Locking lever; for flying leads; manually operated		
Color	Item No.	PU (SPU)
● black	770-101	100 (25)
○ white	770-121	100 (25)



Locking lever; for flying leads; tool operated		
Color	Item No.	PU (SPU)
● black	770-111	100 (25)
○ white	770-131	100 (25)



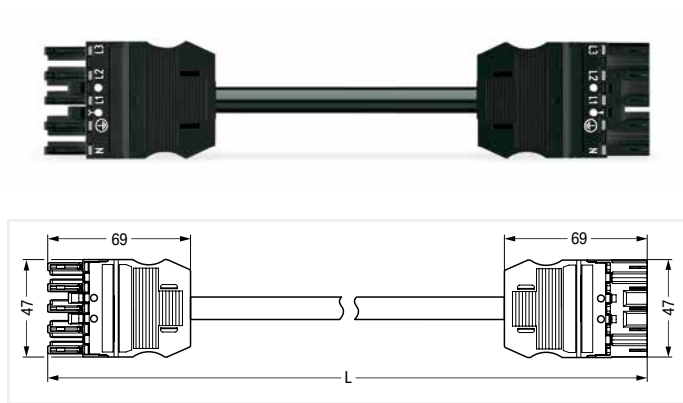
Mounting carrier; for flying leads; 2- to 5-pole		
Color	Item No.	PU
● black	770-310	25

PU = Packaging Unit; SPU = Subpackaging Unit; Dimensions in mm

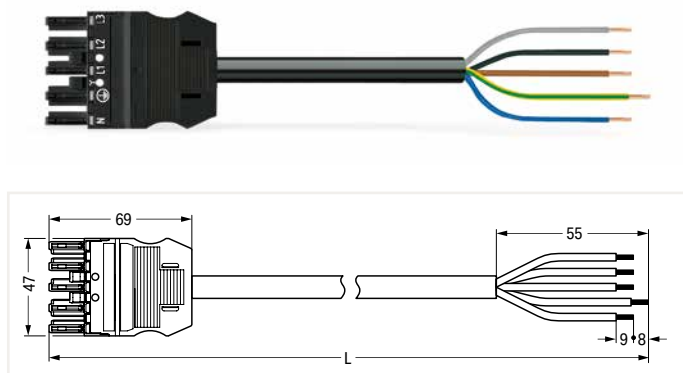
Cable Assembly ▶ WINSTA® MIDI ▶ 771 Series

Pole No.: 5 ▶ Protection type: IP20 ▶ Fire class per EN 50575: E_{ca} ▶ Coding: A ▶ 2.5 mm² ▶ Marking: N ⊕ L1 L2 L3 ▶ Halogen-free ▶ Sheathed cable diameter: 11.2 ... 13.9 mm ▶ H05Z1Z1-F 5G2.5 ▶ General mains applications

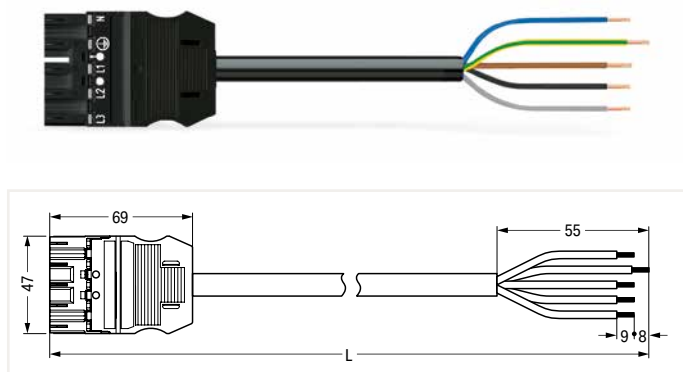
2



Total length	Connector color/Strain relief color		PU
	black/black	white/white	
1 m	771-9995/017-101	771-9995/017-102	1
2 m	771-9995/017-201	771-9995/017-202	1
3 m	771-9995/017-301	771-9995/017-302	1
4 m	771-9995/017-401	771-9995/017-402	1
5 m	771-9995/017-501	771-9995/017-502	1
6 m	771-9995/017-601	771-9995/017-602	1
7 m	771-9995/017-701	771-9995/017-702	1
8 m	771-9995/017-801	771-9995/017-802	1



Total length	Connector color/Strain relief color		PU
	black/black	white/white	
1 m	771-9995/117-101	771-9995/117-102	1
2 m	771-9995/117-201	771-9995/117-202	1
3 m	771-9995/117-301	771-9995/117-302	1
4 m	771-9995/117-401	771-9995/117-402	1
5 m	771-9995/117-501	771-9995/117-502	1
6 m	771-9995/117-601	771-9995/117-602	1
7 m	771-9995/117-701	771-9995/117-702	1
8 m	771-9995/117-801	771-9995/117-802	1



Total length	Connector color/Strain relief color		PU
	black/black	white/white	
1 m	771-9995/217-101	771-9995/217-102	1
2 m	771-9995/217-201	771-9995/217-202	1
3 m	771-9995/217-301	771-9995/217-302	1
4 m	771-9995/217-401	771-9995/217-402	1
5 m	771-9995/217-501	771-9995/217-502	1
6 m	771-9995/217-601	771-9995/217-602	1
7 m	771-9995/217-701	771-9995/217-702	1
8 m	771-9995/217-801	771-9995/217-802	1

Accessories; for all products on this page



Locking lever; for flying leads; manually operated		
Color	Item No.	PU (SPU)
● black	770-101	100 (25)
○ white	770-121	100 (25)



Locking lever; for flying leads; tool operated		
Color	Item No.	PU (SPU)
● black	770-111	100 (25)
○ white	770-131	100 (25)

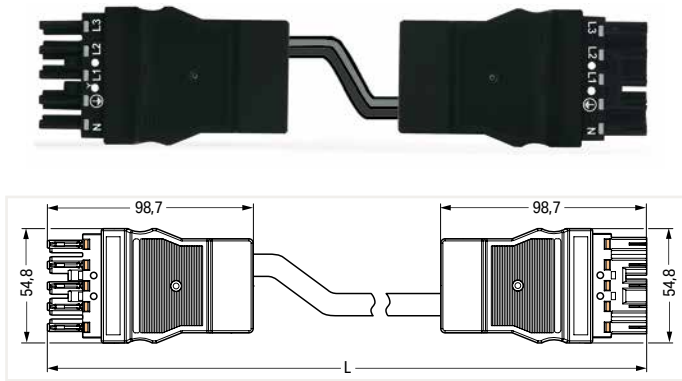


Mounting carrier; for flying leads; 2- to 5-pole		
Color	Item No.	PU
● black	770-310	25

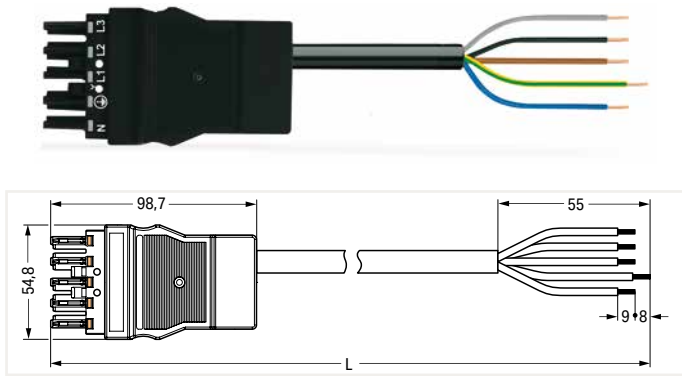
PU = Packaging Unit; SPU = Subpackaging Unit; Dimensions in mm

Cable Assembly ▶ WINSTA® MIDI ▶ 771 Series

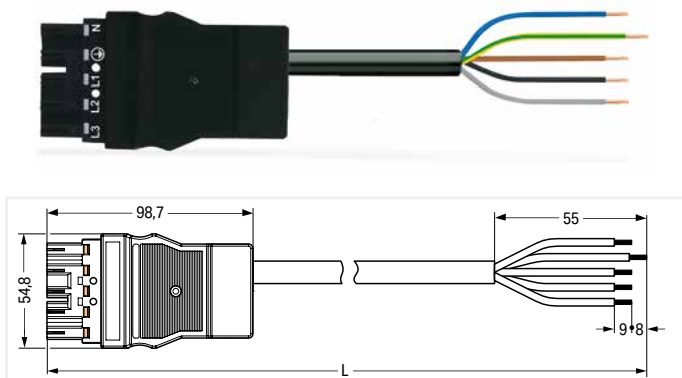
Pole No.: 5 ▶ Protection type: IP20 ▶ Fire class per EN 50575: E_{ca} ▶ Coding: A ▶ 4 mm² ▶ Marking: N ⊕ L1 L2 L3 ▶ PVC ▶ Sheathed cable diameter: 13 ... 16.1 mm ▶ H05VV-F 5G4 ▶ General mains applications



Interconnecting cable ▶ Socket - Plug			
Total length	Connector color/Strain relief color		PU
	black/black		
1 m	771-8995/008-101		1
2 m	771-8995/008-201		1
3 m	771-8995/008-301		1
4 m	771-8995/008-401		1
5 m	771-8995/008-501		1
6 m	771-8995/008-601		1
7 m	771-8995/008-701		1
8 m	771-8995/008-801		1



Connecting cable ▶ Socket - Free end ▶ Strip length (outer insulation): 55 mm			
Total length	Connector color/Strain relief color		PU
	black/black		
1 m	771-8995/108-101		1
2 m	771-8995/108-201		1
3 m	771-8995/108-301		1
4 m	771-8995/108-401		1
5 m	771-8995/108-501		1
6 m	771-8995/108-601		1
7 m	771-8995/108-701		1
8 m	771-8995/108-801		1



Connecting cable ▶ Plug - Free end ▶ Strip length (outer insulation): 55 mm			
Total length	Connector color/Strain relief color		PU
	black/black		
1 m	771-8995/208-101		1
2 m	771-8995/208-201		1
3 m	771-8995/208-301		1
4 m	771-8995/208-401		1
5 m	771-8995/208-501		1
6 m	771-8995/208-601		1
7 m	771-8995/208-701		1
8 m	771-8995/208-801		1

Accessories; for all products on this page



Locking lever; for flying leads; manually operated		
Color	Item No.	PU (SPU)
● black	770-101	100 (25)
○ white	770-121	100 (25)



Locking lever; for flying leads; tool operated		
Color	Item No.	PU (SPU)
● black	770-111	100 (25)
○ white	770-131	100 (25)

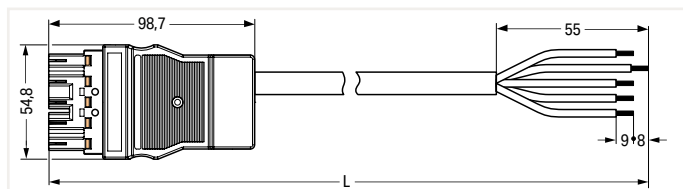
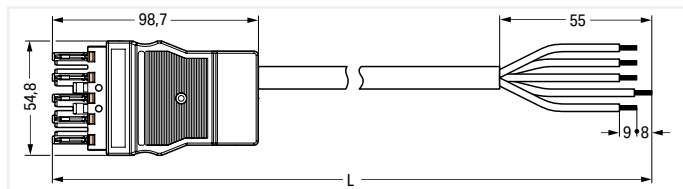
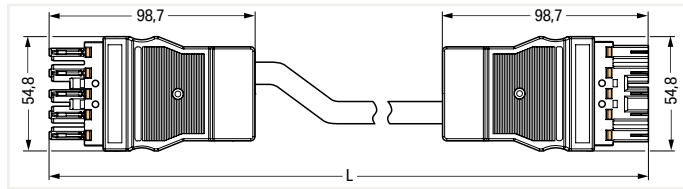


Mounting carrier; for flying leads; 2- to 5-pole		
Color	Item No.	PU
● black	770-310	25

PU = Packaging Unit; SPU = Subpackaging Unit; Dimensions in mm

Cable Assembly ▶ WINSTA® MIDI ▶ 771 Series

Pole No.: 5 ▶ Protection type: IP20 ▶ Fire class per EN 50575: E_{ca} ▶ Coding: A ▶ 4 mm² ▶ Marking: N
 ⊕ L1 L2 L3 ▶ Halogen-free ▶ Sheathed cable diameter: 13 ... 16.1 mm ▶ H05Z1Z1-F 5G4 ▶ General mains applications



Interconnecting cable ▶ Socket - Plug			
Total length	Connector color/Strain relief color		PU
	black/black		
1 m	771-8995/018-101		1
2 m	771-8995/018-201		1
3 m	771-8995/018-301		1
4 m	771-8995/018-401		1
5 m	771-8995/018-501		1
6 m	771-8995/018-601		1
7 m	771-8995/018-701		1
8 m	771-8995/018-801		1

Connecting cable ▶ Socket - Free end ▶ Strip length (outer insulation): 55 mm			
Total length	Connector color/Strain relief color		PU
	black/black		
1 m	771-8995/118-101		1
2 m	771-8995/118-201		1
3 m	771-8995/118-301		1
4 m	771-8995/118-401		1
5 m	771-8995/118-501		1
6 m	771-8995/118-601		1
7 m	771-8995/118-701		1
8 m	771-8995/118-801		1

Connecting cable ▶ Plug - Free end ▶ Strip length (outer insulation): 55 mm			
Total length	Connector color/Strain relief color		PU
	black/black		
1 m	771-8995/218-101		1
2 m	771-8995/218-201		1
3 m	771-8995/218-301		1
4 m	771-8995/218-401		1
5 m	771-8995/218-501		1
6 m	771-8995/218-601		1
7 m	771-8995/218-701		1
8 m	771-8995/218-801		1

Accessories; for all products on this page



Locking lever; for flying leads; manually operated		
Color	Item No.	PU (SPU)
● black	770-101	100 (25)
○ white	770-121	100 (25)



Locking lever; for flying leads; tool operated		
Color	Item No.	PU (SPU)
● black	770-111	100 (25)
○ white	770-131	100 (25)



Mounting carrier; for flying leads; 2- to 5-pole		
Color	Item No.	PU
● black	770-310	25

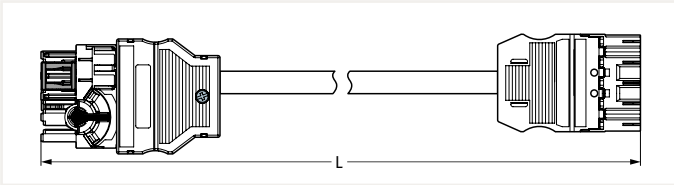
PU = Packaging Unit; SPU = Subpackaging Unit; Dimensions in mm

Cable Assembly ▶ WINSTA® MIDI ▶ 771 Series

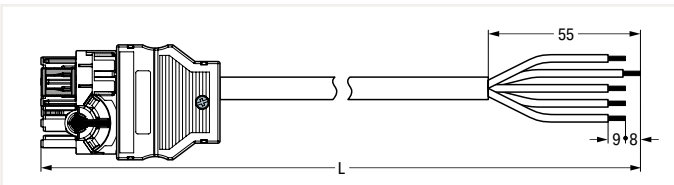
Pole No.: 5 ▶ Protection type: IP20 ▶ Fire class per EN 50575: E_{ca} ▶ Coding: A ▶ 2.5 mm² ▶ Marking: L ⊕ N ▶ PVC ▶ Sheathed cable diameter: 11.2 ... 13.9 mm ▶ H05VV-F 5G2.5 ▶ Strip length (outer insulation): 55 mm ▶ General mains applications



Interconnecting cable ▶ Distribution connector with phase selection - Plug			
Total length	Connector color/Strain relief color		PU
	black/black	white/white	
1 m	771-8965/007-101	771-8965/007-102	1
2 m	771-8965/007-201	771-8965/007-202	1



Connecting cable ▶ Distribution connector with phase selection - Free end			
Total length	Connector color/Strain relief color		PU
	black/black	white/white	
1 m	771-8965/107-101	771-8965/107-102	1
2 m	771-8965/107-201	771-8965/107-202	1



Lift jumper out of delivery position (L2) using a screwdriver and move it into the desired position.



The 5-pole energy circuit can be extended using pluggable cable assemblies.



Push down jumper in its new position (picture shows L3).



Plugging a 3-pole tap-off cable.

Accessories; for all products on this page



Locking lever; for flying leads; manually operated		
Color	Item No.	PU (SPU)
● black	770-101	100 (25)
○ white	770-121	100 (25)



Locking lever; for flying leads; tool operated		
Color	Item No.	PU (SPU)
● black	770-111	100 (25)
○ white	770-131	100 (25)



Mounting carrier; for flying leads; 2- to 5-pole		
Color	Item No.	PU
● black	770-310	25

PU = Packaging Unit; SPU = Subpackaging Unit; Dimensions in mm

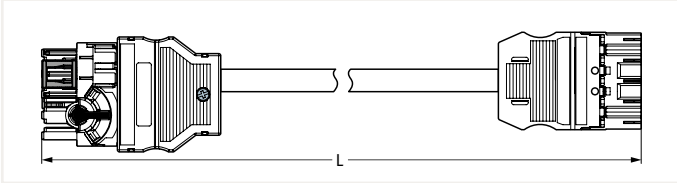
Cable Assembly ▶ WINSTA® MIDI ▶ 771 Series

Pole No.: 5 ▶ Protection type: IP20 ▶ Fire class per EN 50575: E_{ca} ▶ Coding: A ▶ 2.5 mm² ▶ Marking: L ⊕ N ▶ Halogen-free ▶ Sheathed cable diameter: 11.2 ... 13.9 mm ▶ H05Z1Z1-F 5G2.5 ▶ Strip length (outer insulation): 55 mm ▶ General mains applications

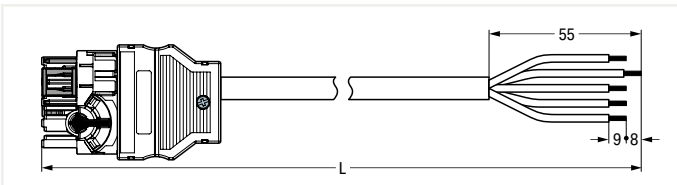


Interconnecting cable ▶ Distribution connector with phase selection - Plug			
Total length	Connector color/Strain relief color		PU
	black/black	white/white	
1 m	771-8965/017-101	771-8965/017-102	1
2 m	771-8965/017-201	771-8965/017-202	1

2



Connecting cable ▶ Distribution connector with phase selection - Free end			
Total length	Connector color/Strain relief color		PU
	black/black	white/white	
1 m	771-8965/117-101	771-8965/117-102	1
2 m	771-8965/117-201	771-8965/117-202	1



Lift jumper out of delivery position (L2) using a screwdriver and move it into the desired position.



The 5-pole energy circuit can be extended using pluggable cable assemblies.



Push down jumper in its new position (picture shows L3).



Plugging a 3-pole tap-off cable.

Accessories; for all products on this page



Locking lever; for flying leads; manually operated		
Color	Item No.	PU (SPU)
● black	770-101	100 (25)
○ white	770-121	100 (25)



Locking lever; for flying leads; tool operated		
Color	Item No.	PU (SPU)
● black	770-111	100 (25)
○ white	770-131	100 (25)

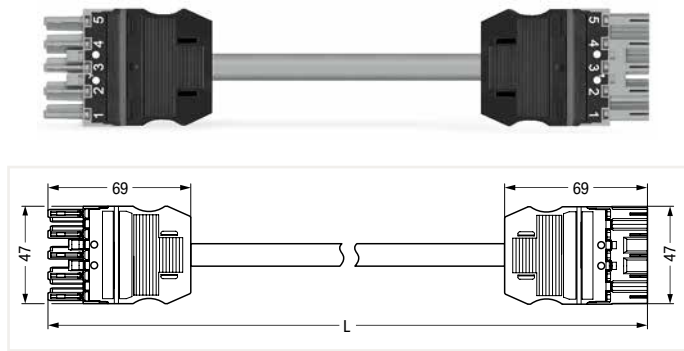


Mounting carrier; for flying leads; 2- to 5-pole		
Color	Item No.	PU
● black	770-310	25

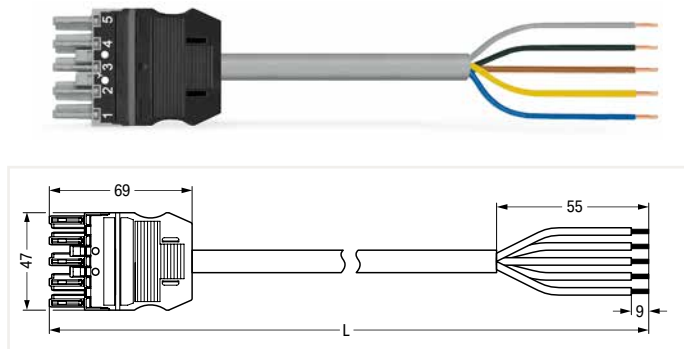
PU = Packaging Unit; SPU = Subpackaging Unit; Dimensions in mm

Cable Assembly ▶ WINSTA® MIDI ▶ 771 Series

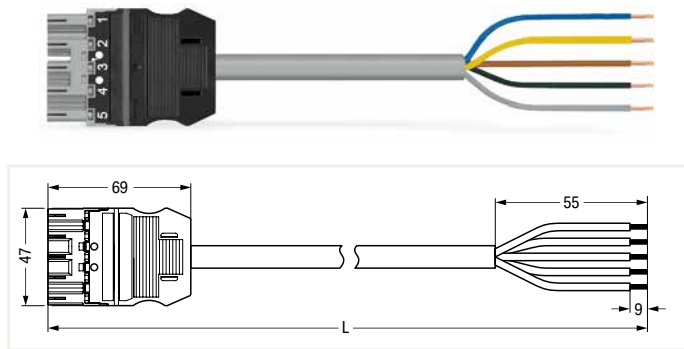
Pole No.: 5 ▶ Protection type: IP20 ▶ Fire class per EN 50575: E_{ca} ▶ Coding: B ▶ 1 mm² ▶ Marking: 1 2 3 4 5 ▶ PVC ▶ Sheathed cable diameter: 7.8 ... 9.3 mm ▶ Control line 5 x 1 ▶ Measurement and regulation technology



Interconnecting cable ▶ Socket - Plug				
Total length	Connector color/Strain relief color			PU
	gray/black	light green/black	pink/black	
1 m	771-9995/005-103	771-9995/005-105	771-9995/005-107	1
2 m	771-9995/005-203	771-9995/005-205	771-9995/005-207	1
3 m	771-9995/005-303	771-9995/005-305	771-9995/005-307	1
4 m	771-9995/005-403	771-9995/005-405	771-9995/005-407	1
5 m	771-9995/005-503	771-9995/005-505	771-9995/005-507	1
6 m	771-9995/005-603	771-9995/005-605	771-9995/005-607	1
7 m	771-9995/005-703	771-9995/005-705	771-9995/005-707	1
8 m	771-9995/005-803	771-9995/005-805	771-9995/005-807	1



Connecting cable ▶ Socket - Free end ▶ Strip length (outer insulation): 55 mm				
Total length	Connector color/Strain relief color			PU
	gray/black	light green/black	pink/black	
1 m	771-9995/105-103	771-9995/105-105	771-9995/105-107	1
2 m	771-9995/105-203	771-9995/105-205	771-9995/105-207	1
3 m	771-9995/105-303	771-9995/105-305	771-9995/105-307	1
4 m	771-9995/105-403	771-9995/105-405	771-9995/105-407	1
5 m	771-9995/105-503	771-9995/105-505	771-9995/105-507	1
6 m	771-9995/105-603	771-9995/105-605	771-9995/105-607	1
7 m	771-9995/105-703	771-9995/105-705	771-9995/105-707	1
8 m	771-9995/105-803	771-9995/105-805	771-9995/105-807	1



Connecting cable ▶ Plug - Free end ▶ Strip length (outer insulation): 55 mm				
Total length	Connector color/Strain relief color			PU
	gray/black	light green/black	pink/black	
1 m	771-9995/205-103	771-9995/205-105	771-9995/205-107	1
2 m	771-9995/205-203	771-9995/205-205	771-9995/205-207	1
3 m	771-9995/205-303	771-9995/205-305	771-9995/205-307	1
4 m	771-9995/205-403	771-9995/205-405	771-9995/205-407	1
5 m	771-9995/205-503	771-9995/205-505	771-9995/205-507	1
6 m	771-9995/205-603	771-9995/205-605	771-9995/205-607	1
7 m	771-9995/205-703	771-9995/205-705	771-9995/205-707	1
8 m	771-9995/205-803	771-9995/205-805	771-9995/205-807	1

Accessories; for all products on this page



Locking lever; for flying leads; manually operated		
Color	Item No.	PU (SPU)
● black	770-101	100 (25)
○ white	770-121	100 (25)



Locking lever; for flying leads; tool operated		
Color	Item No.	PU (SPU)
● black	770-111	100 (25)
○ white	770-131	100 (25)

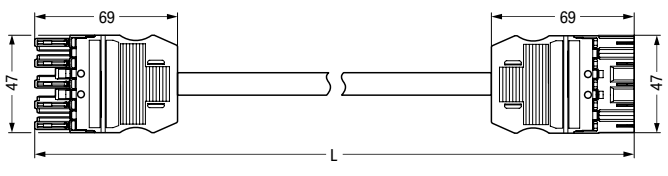


Mounting carrier; for flying leads; 2- to 5-pole		
Color	Item No.	PU
● black	770-310	25

PU = Packaging Unit; SPU = Subpackaging Unit; Dimensions in mm

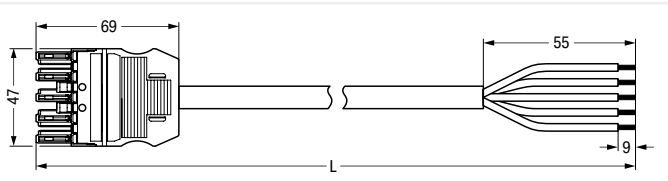
Cable Assembly ▶ WINSTA® MIDI ▶ 771 Series

Pole No.: 5 ▶ Protection type: IP20 ▶ Fire class per EN 50575: E_{ca} ▶ Coding: B ▶ 1.5 mm² ▶ Marking: 1 2 3 4 5 ▶ PVC ▶ Sheathed cable diameter: 9.3 ... 11.6 mm ▶ Control line 5 x 1.5 ▶ Measurement and regulation technology

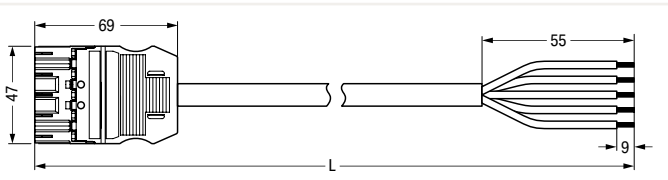


Total length	Connector color/Strain relief color			PU
	gray/black	light green/black	pink/black	
1 m	771-9995/006-103	771-9995/006-105	771-9995/006-107	1
2 m	771-9995/006-203	771-9995/006-205	771-9995/006-207	1
3 m	771-9995/006-303	771-9995/006-305	771-9995/006-307	1
4 m	771-9995/006-403	771-9995/006-405	771-9995/006-407	1
5 m	771-9995/006-503	771-9995/006-505	771-9995/006-507	1
6 m	771-9995/006-603	771-9995/006-605	771-9995/006-607	1
7 m	771-9995/006-703	771-9995/006-705	771-9995/006-707	1
8 m	771-9995/006-803	771-9995/006-805	771-9995/006-807	1

2



Total length	Connector color/Strain relief color			PU
	gray/black	light green/black	pink/black	
1 m	771-9995/106-103	771-9995/106-105	771-9995/106-107	1
2 m	771-9995/106-203	771-9995/106-205	771-9995/106-207	1
3 m	771-9995/106-303	771-9995/106-305	771-9995/106-307	1
4 m	771-9995/106-403	771-9995/106-405	771-9995/106-407	1
5 m	771-9995/106-503	771-9995/106-505	771-9995/106-507	1
6 m	771-9995/106-603	771-9995/106-605	771-9995/106-607	1
7 m	771-9995/106-703	771-9995/106-705	771-9995/106-707	1
8 m	771-9995/106-803	771-9995/106-805	771-9995/106-807	1



Total length	Connector color/Strain relief color			PU
	gray/black	light green/black	pink/black	
1 m	771-9995/206-103	771-9995/206-105	771-9995/206-107	1
2 m	771-9995/206-203	771-9995/206-205	771-9995/206-207	1
3 m	771-9995/206-303	771-9995/206-305	771-9995/206-307	1
4 m	771-9995/206-403	771-9995/206-405	771-9995/206-407	1
5 m	771-9995/206-503	771-9995/206-505	771-9995/206-507	1
6 m	771-9995/206-603	771-9995/206-605	771-9995/206-607	1
7 m	771-9995/206-703	771-9995/206-705	771-9995/206-707	1
8 m	771-9995/206-803	771-9995/206-805	771-9995/206-807	1

Accessories; for all products on this page



Locking lever; for flying leads; manually operated		
Color	Item No.	PU (SPU)
● black	770-101	100 (25)
○ white	770-121	100 (25)



Locking lever; for flying leads; tool operated		
Color	Item No.	PU (SPU)
● black	770-111	100 (25)
○ white	770-131	100 (25)

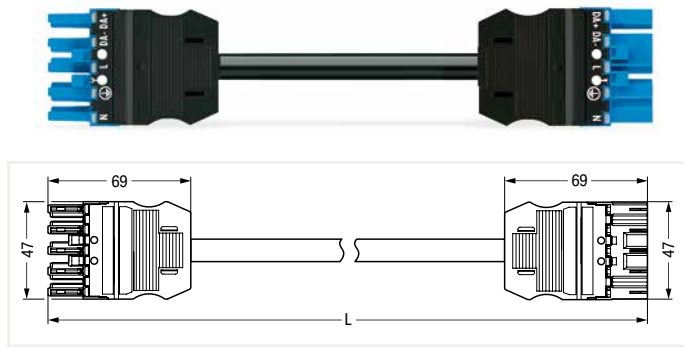


Mounting carrier; for flying leads; 2- to 5-pole		
Color	Item No.	PU
● black	770-310	25

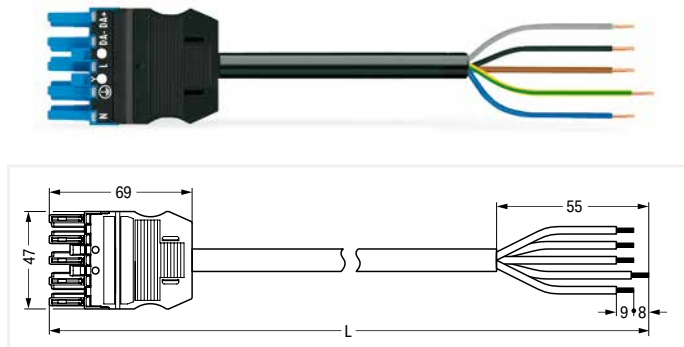
PU = Packaging Unit; SPU = Subpackaging Unit; Dimensions in mm

Cable Assembly ▶ WINSTA® MIDI ▶ 771 Series

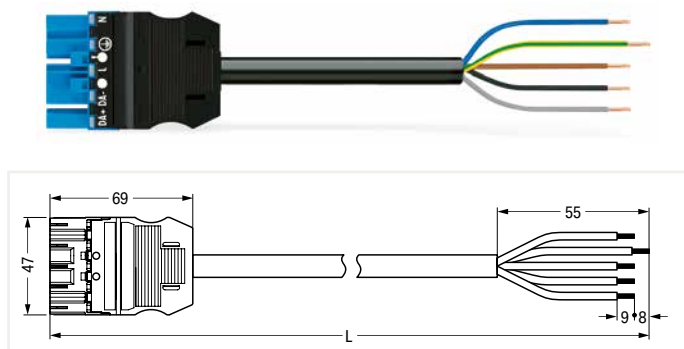
Pole No.: 5 ▶ Protection type: IP20 ▶ Fire class per EN 50575: E_{ca} ▶ Coding: I ▶ 1.5 mm² ▶ Marking: N ⊕ L DA- DA+ ▶ PVC ▶ Sheathed cable diameter: 9.3 ... 11.6 mm ▶ H05VV-F 5G1.5 ▶ DALI, Lighting Management



Total length	Connector color/Strain relief color		PU
	blue/black	blue/white	
1 m	771-9985/006-101	771-9985/006-102	1
2 m	771-9985/006-201	771-9985/006-202	1
3 m	771-9985/006-301	771-9985/006-302	1
4 m	771-9985/006-401	771-9985/006-402	1
5 m	771-9985/006-501	771-9985/006-502	1
6 m	771-9985/006-601	771-9985/006-602	1
7 m	771-9985/006-701	771-9985/006-702	1
8 m	771-9985/006-801	771-9985/006-802	1



Total length	Connector color/Strain relief color		PU
	blue/black	blue/white	
1 m	771-9985/106-101	771-9985/106-102	1
2 m	771-9985/106-201	771-9985/106-202	1
3 m	771-9985/106-301	771-9985/106-302	1
4 m	771-9985/106-401	771-9985/106-402	1
5 m	771-9985/106-501	771-9985/106-502	1
6 m	771-9985/106-601	771-9985/106-602	1
7 m	771-9985/106-701	771-9985/106-702	1
8 m	771-9985/106-801	771-9985/106-802	1



Total length	Connector color/Strain relief color		PU
	blue/black	blue/white	
1 m	771-9985/206-101	771-9985/206-102	1
2 m	771-9985/206-201	771-9985/206-202	1
3 m	771-9985/206-301	771-9985/206-302	1
4 m	771-9985/206-401	771-9985/206-402	1
5 m	771-9985/206-501	771-9985/206-502	1
6 m	771-9985/206-601	771-9985/206-602	1
7 m	771-9985/206-701	771-9985/206-702	1
8 m	771-9985/206-801	771-9985/206-802	1

Accessories; for all products on this page



Locking lever; for flying leads; manually operated		
Color	Item No.	PU (SPU)
● black	770-101	100 (25)
○ white	770-121	100 (25)



Locking lever; for flying leads; tool operated		
Color	Item No.	PU (SPU)
● black	770-111	100 (25)
○ white	770-131	100 (25)



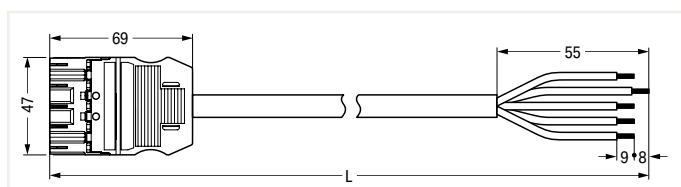
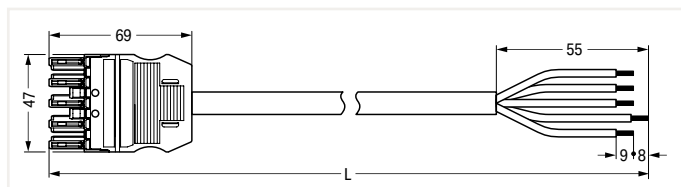
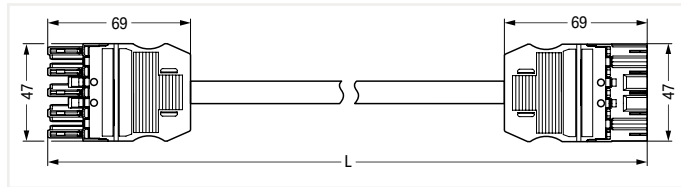
Mounting carrier; for flying leads; 2- to 5-pole		
Color	Item No.	PU
● black	770-310	25

PU = Packaging Unit; SPU = Subpackaging Unit; Dimensions in mm

Cable Assembly ▶ WINSTA® MIDI ▶ 771 Series

Pole No.: 5 ▶ Protection type: IP20 ▶ Fire class per EN 50575: E_{ca} ▶ Coding: I ▶ 1.5 mm² ▶ Marking: N ⊕ L DA- DA+ ▶ Halogen-free ▶ Sheathed cable diameter: 9.3 ... 11.6 mm ▶ H05Z1Z1-F 5G1.5 ▶ DALI, Lighting Management

2



Interconnecting cable ▶ Socket - Plug

Total length	Connector color/Strain relief color		PU
	blue/black	blue/white	
1 m	771-9985/016-101	771-9985/016-102	1
2 m	771-9985/016-201	771-9985/016-202	1
3 m	771-9985/016-301	771-9985/016-302	1
4 m	771-9985/016-401	771-9985/016-402	1
5 m	771-9985/016-501	771-9985/016-502	1
6 m	771-9985/016-601	771-9985/016-602	1
7 m	771-9985/016-701	771-9985/016-702	1
8 m	771-9985/016-801	771-9985/016-802	1

Connecting cable ▶ Socket - Free end ▶ Strip length (outer insulation): 55 mm

Total length	Connector color/Strain relief color		PU
	blue/black	blue/white	
1 m	771-9985/116-101	771-9985/116-102	1
2 m	771-9985/116-201	771-9985/116-202	1
3 m	771-9985/116-301	771-9985/116-302	1
4 m	771-9985/116-401	771-9985/116-402	1
5 m	771-9985/116-501	771-9985/116-502	1
6 m	771-9985/116-601	771-9985/116-602	1
7 m	771-9985/116-701	771-9985/116-702	1
8 m	771-9985/116-801	771-9985/116-802	1

Connecting cable ▶ Plug - Free end ▶ Strip length (outer insulation): 55 mm

Total length	Connector color/Strain relief color		PU
	blue/black	blue/white	
1 m	771-9985/216-101	771-9985/216-102	1
2 m	771-9985/216-201	771-9985/216-202	1
3 m	771-9985/216-301	771-9985/216-302	1
4 m	771-9985/216-401	771-9985/216-402	1
5 m	771-9985/216-501	771-9985/216-502	1
6 m	771-9985/216-601	771-9985/216-602	1
7 m	771-9985/216-701	771-9985/216-702	1
8 m	771-9985/216-801	771-9985/216-802	1

Accessories; for all products on this page



Locking lever; for flying leads; manually operated		
Color	Item No.	PU (SPU)
● black	770-101	100 (25)
○ white	770-121	100 (25)



Locking lever; for flying leads; tool operated		
Color	Item No.	PU (SPU)
● black	770-111	100 (25)
○ white	770-131	100 (25)

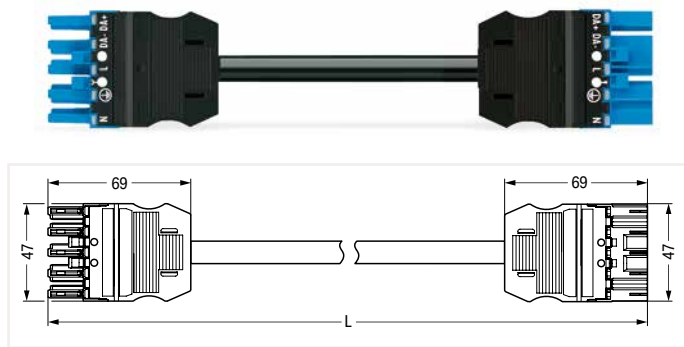


Mounting carrier; for flying leads; 2- to 5-pole		
Color	Item No.	PU
● black	770-310	25

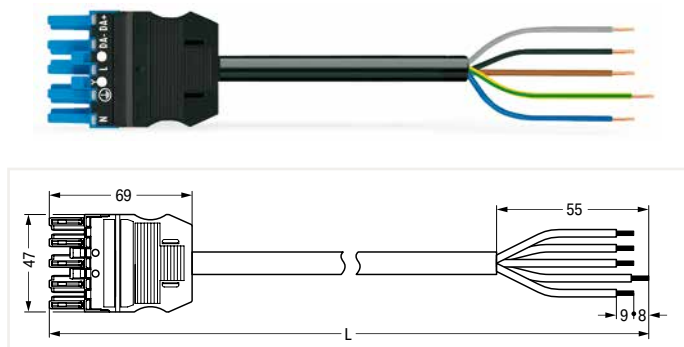
PU = Packaging Unit; SPU = Subpackaging Unit; Dimensions in mm

Cable Assembly ▶ WINSTA® MIDI ▶ 771 Series

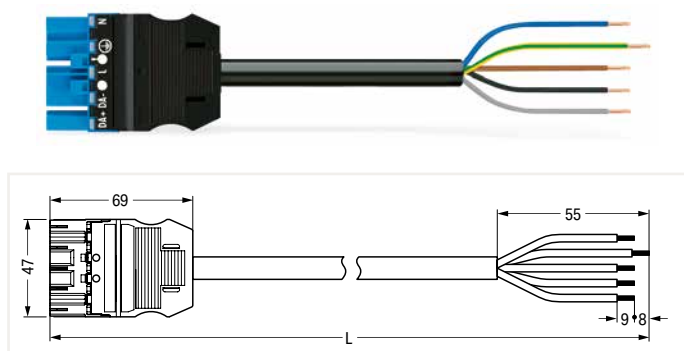
Pole No.: 5 ▶ Protection type: IP20 ▶ Fire class per EN 50575: E_{ca} ▶ Coding: I ▶ 2.5 mm² ▶ Marking: N ⊕ L DA- DA+ ▶ PVC ▶ Sheathed cable diameter: 11.2 ... 13.9 mm ▶ H05VV-F 5G2.5 ▶ DALI, Lighting Management



Total length	Connector color/Strain relief color		PU
	blue/black	blue/white	
1 m	771-9985/007-101	771-9985/007-102	1
2 m	771-9985/007-201	771-9985/007-202	1
3 m	771-9985/007-301	771-9985/007-302	1
4 m	771-9985/007-401	771-9985/007-402	1
5 m	771-9985/007-501	771-9985/007-502	1
6 m	771-9985/007-601	771-9985/007-602	1
7 m	771-9985/007-701	771-9985/007-702	1
8 m	771-9985/007-801	771-9985/007-802	1



Total length	Connector color/Strain relief color		PU
	blue/black	blue/white	
1 m	771-9985/107-101	771-9985/107-102	1
2 m	771-9985/107-201	771-9985/107-202	1
3 m	771-9985/107-301	771-9985/107-302	1
4 m	771-9985/107-401	771-9985/107-402	1
5 m	771-9985/107-501	771-9985/107-502	1
6 m	771-9985/107-601	771-9985/107-602	1
7 m	771-9985/107-701	771-9985/107-702	1
8 m	771-9985/107-801	771-9985/107-802	1



Total length	Connector color/Strain relief color		PU
	blue/black	blue/white	
1 m	771-9985/207-101	771-9985/207-102	1
2 m	771-9985/207-201	771-9985/207-202	1
3 m	771-9985/207-301	771-9985/207-302	1
4 m	771-9985/207-401	771-9985/207-402	1
5 m	771-9985/207-501	771-9985/207-502	1
6 m	771-9985/207-601	771-9985/207-602	1
7 m	771-9985/207-701	771-9985/207-702	1
8 m	771-9985/207-801	771-9985/207-802	1

Accessories; for all products on this page



Locking lever; for flying leads; manually operated		
Color	Item No.	PU (SPU)
● black	770-101	100 (25)
○ white	770-121	100 (25)



Locking lever; for flying leads; tool operated		
Color	Item No.	PU (SPU)
● black	770-111	100 (25)
○ white	770-131	100 (25)

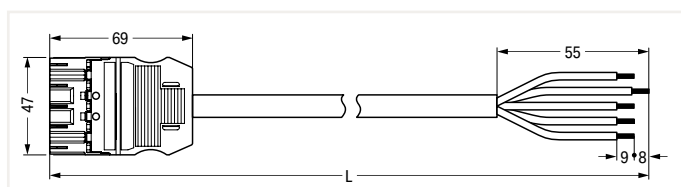
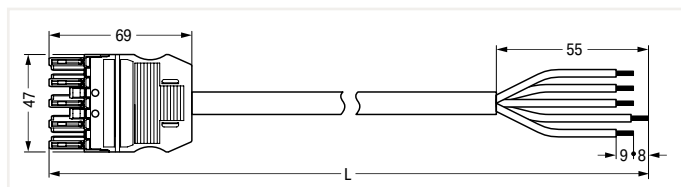
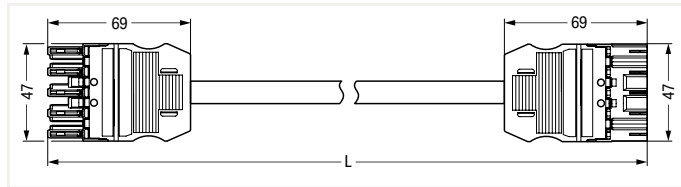


Mounting carrier; for flying leads; 2- to 5-pole		
Color	Item No.	PU
● black	770-310	25

PU = Packaging Unit; SPU = Subpackaging Unit; Dimensions in mm

Cable Assembly ▶ WINSTA® MIDI ▶ 771 Series

Pole No.: 5 ▶ Protection type: IP20 ▶ Fire class per EN 50575: E_{ca} ▶ Coding: I ▶ 2.5 mm² ▶ Marking: N ⊕ L DA- DA+ ▶ Halogen-free ▶ Sheathed cable diameter: 11.2 ... 13.9 mm ▶ H05Z1Z1-F 5G2.5 ▶ DALI, Lighting Management



Interconnecting cable ▶ Socket - Plug

Total length	Connector color/Strain relief color		PU
	blue/black	blue/white	
1 m	771-9985/017-101	771-9985/017-102	1
2 m	771-9985/017-201	771-9985/017-202	1
3 m	771-9985/017-301	771-9985/017-302	1
4 m	771-9985/017-401	771-9985/017-402	1
5 m	771-9985/017-501	771-9985/017-502	1
6 m	771-9985/017-601	771-9985/017-602	1
7 m	771-9985/017-701	771-9985/017-702	1
8 m	771-9985/017-801	771-9985/017-802	1

Connecting cable ▶ Socket - Free end ▶ Strip length (outer insulation): 55 mm

Total length	Connector color/Strain relief color		PU
	blue/black	blue/white	
1 m	771-9985/117-101	771-9985/117-102	1
2 m	771-9985/117-201	771-9985/117-202	1
3 m	771-9985/117-301	771-9985/117-302	1
4 m	771-9985/117-401	771-9985/117-402	1
5 m	771-9985/117-501	771-9985/117-502	1
6 m	771-9985/117-601	771-9985/117-602	1
7 m	771-9985/117-701	771-9985/117-702	1
8 m	771-9985/117-801	771-9985/117-802	1

Connecting cable ▶ Plug - Free end ▶ Strip length (outer insulation): 55 mm

Total length	Connector color/Strain relief color		PU
	blue/black	blue/white	
1 m	771-9985/217-101	771-9985/217-102	1
2 m	771-9985/217-201	771-9985/217-202	1
3 m	771-9985/217-301	771-9985/217-302	1
4 m	771-9985/217-401	771-9985/217-402	1
5 m	771-9985/217-501	771-9985/217-502	1
6 m	771-9985/217-601	771-9985/217-602	1
7 m	771-9985/217-701	771-9985/217-702	1
8 m	771-9985/217-801	771-9985/217-802	1

Accessories; for all products on this page



Locking lever; for flying leads; manually operated		
Color	Item No.	PU (SPU)
● black	770-101	100 (25)
○ white	770-121	100 (25)



Locking lever; for flying leads; tool operated		
Color	Item No.	PU (SPU)
● black	770-111	100 (25)
○ white	770-131	100 (25)

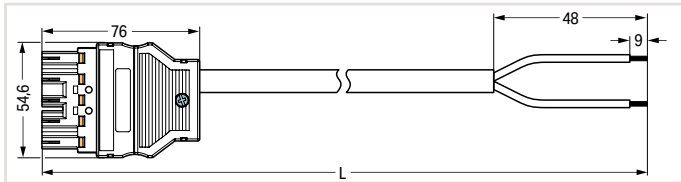
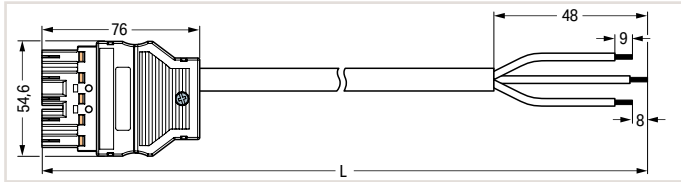


Mounting carrier; for flying leads; 2- to 5-pole		
Color	Item No.	PU
● black	770-310	25

PU = Packaging Unit; SPU = Subpackaging Unit; Dimensions in mm

Cable Assembly ▶ WINSTA® MIDI ▶ 771 Series

No. of poles: 5 ▶ Protection type: IP20 ▶ Fire class per EN 50575: E_{ca} ▶ Coding: I ▶ 1.5 mm² ▶ PVC ▶ DALI, Lighting Management



Adapter cable ▶ plug – free end ▶ Sheathed cable diameter: 7.4 ... 9.4 mm ▶ H05VV-F 3G1.5

Length	Connector color/Strain relief color			PU
	blue/black			
1 m	771-5001/148-000			1
2 m	771-5001/149-000			1
3 m	771-5001/150-000			1
4 m	771-5001/151-000			1
5 m	771-5001/152-000			1
6 m	771-5001/153-000			1
7 m	771-5001/154-000			1
8 m	771-5001/155-000			1

Adapter cable ▶ plug – free end ▶ Sheathed cable diameter: 7.4 ... 9.4 mm ▶ H05VV-F 2x1.5

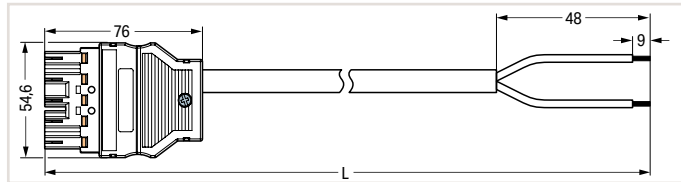
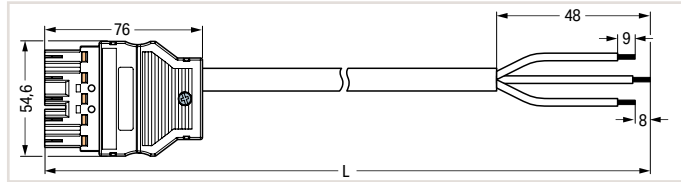
Length	Connector color/Strain relief color			PU
	blue/black			
1 m	771-5001/164-000			1
2 m	771-5001/165-000			1
3 m	771-5001/166-000			1
4 m	771-5001/167-000			1
5 m	771-5001/168-000			1
6 m	771-5001/169-000			1
7 m	771-5001/170-000			1
8 m	771-5001/171-000			1

2

PU = Packaging Unit; SPU = Subpackaging Unit; Dimensions in mm

Cable Assembly ▶ WINSTA® MIDI ▶ 771 Series

No. of poles: 5 ▶ Protection type: IP20 ▶ Fire class per EN 50575: E_{ca} ▶ Coding: I ▶ 1.5 mm² ▶ Halogen-free ▶ DALI, Lighting Management



Adapter cable ▶ plug – free end ▶ Sheathed cable diameter: 7.4 ... 9.4 mm ▶ H05Z1Z1-F 3G1.5

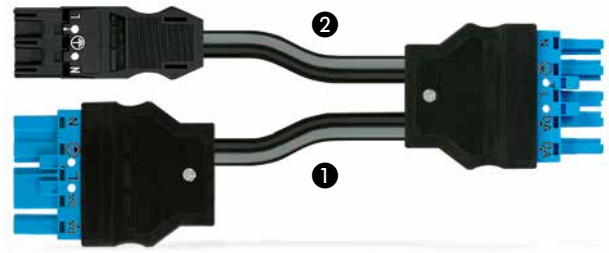
Length	Connector color/Strain relief color			PU
	blue/black			
1 m	771-5001/156-000			1
2 m	771-5001/157-000			1
3 m	771-5001/158-000			1
4 m	771-5001/159-000			1
5 m	771-5001/160-000			1
6 m	771-5001/161-000			1
7 m	771-5001/162-000			1
8 m	771-5001/163-000			1

Adapter cable ▶ plug – free end ▶ Sheathed cable diameter: 6.8 ... 8.6 mm ▶ H05Z1Z1-F 2x1.5

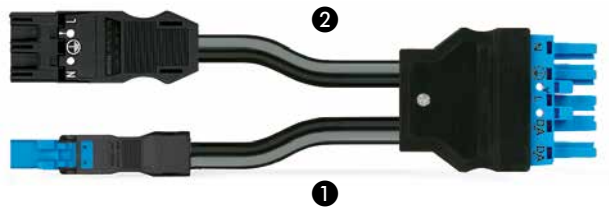
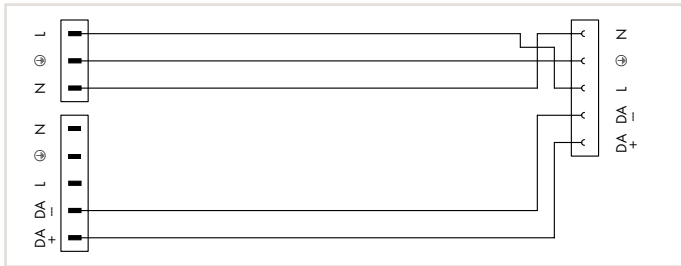
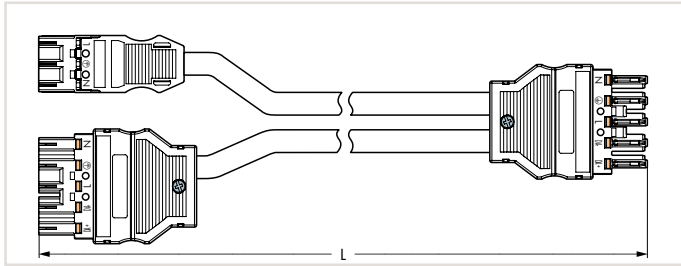
Length	Connector color/Strain relief color			PU
	blue/black			
1 m	771-5001/172-000			1
2 m	771-5001/173-000			1
3 m	771-5001/174-000			1
4 m	771-5001/175-000			1
5 m	771-5001/176-000			1
6 m	771-5001/177-000			1
7 m	771-5001/178-000			1
8 m	771-5001/179-000			1

Cable Assembly ▶ WINSTA® MIDI ▶ 771 Series

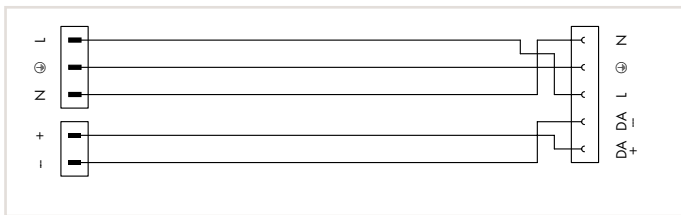
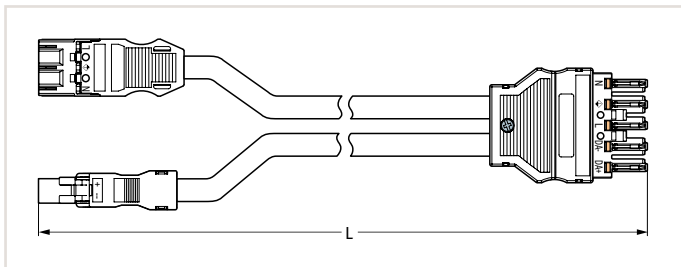
No. of poles: 5 ▶ Protection type: IP20 ▶ Fire class per EN 50575: E_{ca} ▶ Coding: A + I ▶ ① 1.5 mm²; ② 2.5 mm² ▶ PVC ▶ ① H05VV-F 2x1,5 ▶ ② H05VV-F 3G2,5 ▶ DALI, Lighting Management



Y-cable			
Length	Connector color/Strain relief color		PU
	black/black		
	blue/black		
0.5 m	771-5001/180-000		1



Y-cable			
Length	Connector color/Strain relief color		PU
	black/black		
	blue/black		
0.5 m	771-5001/182-000		1



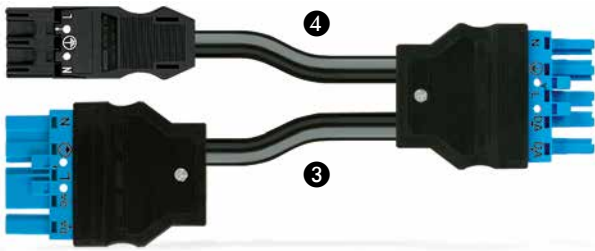
PU = Packaging Unit; SPU = Subpackaging Unit; Dimensions in mm

2

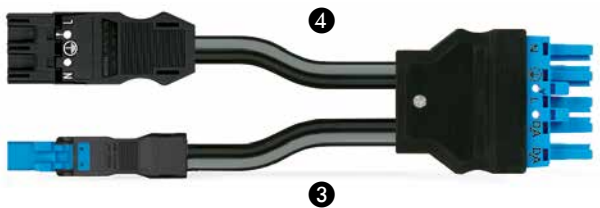
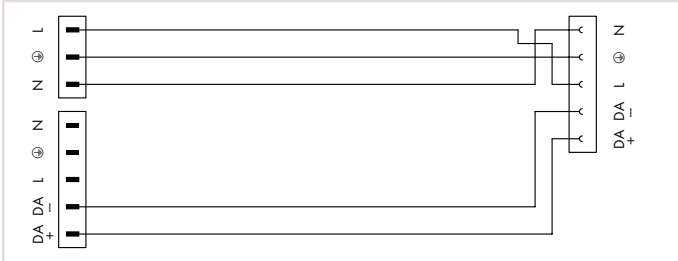
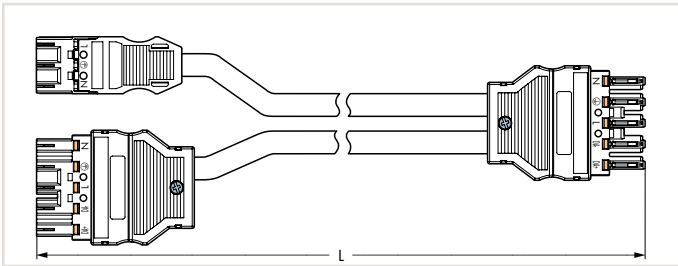
Cable Assembly ▶ WINSTA® MIDI ▶ 771 Series

No. of poles: 5 ▶ Protection type: IP20 ▶ Fire class per EN 50575: E_{ca} ▶ Coding: A + I ▶ ③ 1.5 mm²; ④ 2.5 mm² ▶ Halogen-free ▶ ③ H05Z1Z1-F 2x1,5 ▶ ④ H05Z1Z1-F 3G2,5 ▶ DALI, Lighting Management

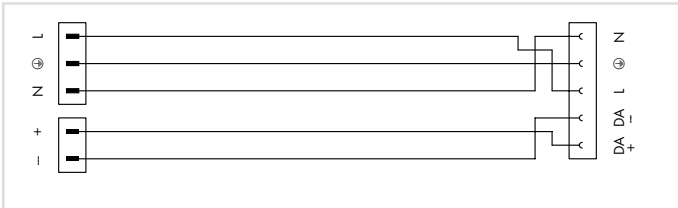
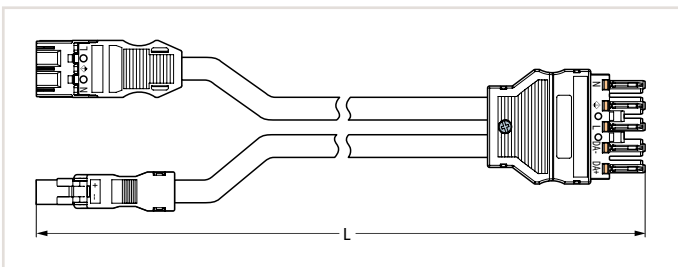
2



Y-cable			
Length	Connector color/Strain relief color		PU
	black/black		
	blue/black		
0.5 m	771-5001/181-000		1



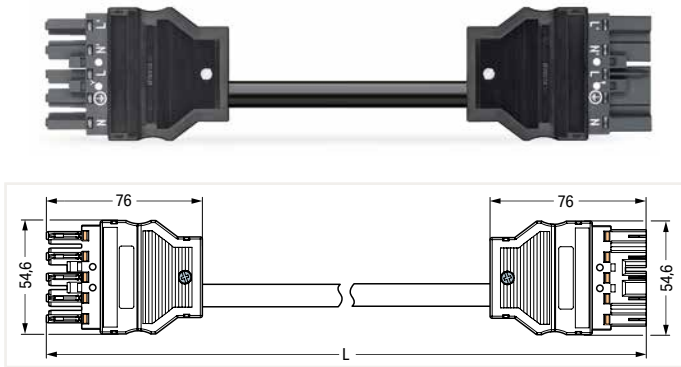
Y-cable			
Length	Connector color/Strain relief color		PU
	black/black		
	blue/black		
0.5 m	771-5001/183-000		1



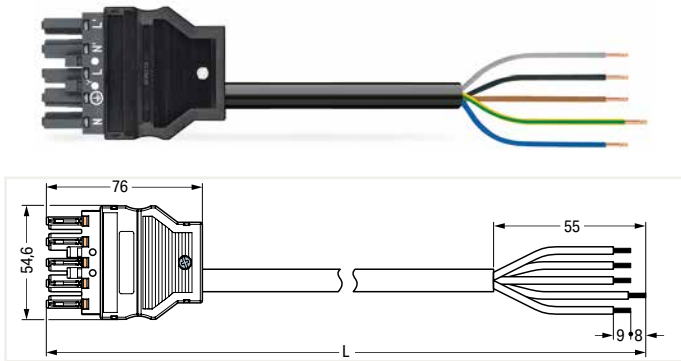
PU = Packaging Unit; SPU = Subpackaging Unit; Dimensions in mm

Cable Assembly ▶ WINSTA® MIDI ▶ 771 Series

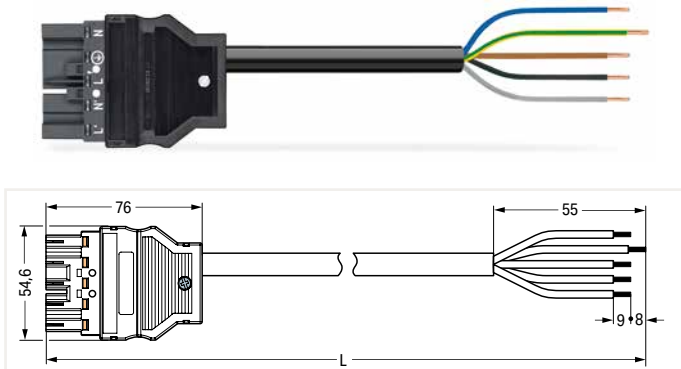
Pole No.: 5 ▶ Protection type: IP20 ▶ Fire class per EN 50575: E_{ca} ▶ Coding: L ▶ 1.5 mm² ▶ Marking: N ⊕ L N' L' ▶ PVC ▶ Sheathed cable diameter: 9.3 ... 11.6 mm ▶ H05VV-F 5G1.5 ▶ Emergency power supply



Interconnecting cable ▶ Socket - Plug			
Total length	Connector color/Strain relief color		PU
	dark gray/black	dark gray/white	
1 m	771-8985/006-103	771-8985/006-104	1
2 m	771-8985/006-203	771-8985/006-204	1
3 m	771-8985/006-303	771-8985/006-304	1
4 m	771-8985/006-403	771-8985/006-404	1
5 m	771-8985/006-503	771-8985/006-504	1
6 m	771-8985/006-603	771-8985/006-604	1
7 m	771-8985/006-703	771-8985/006-704	1
8 m	771-8985/006-803	771-8985/006-804	1



Connecting cable ▶ Socket - Free end ▶ Strip length (outer insulation): 55 mm			
Total length	Connector color/Strain relief color		PU
	dark gray/black	dark gray/white	
1 m	771-8985/106-103	771-8985/106-104	1
2 m	771-8985/106-203	771-8985/106-204	1
3 m	771-8985/106-303	771-8985/106-304	1
4 m	771-8985/106-403	771-8985/106-404	1
5 m	771-8985/106-503	771-8985/106-504	1
6 m	771-8985/106-603	771-8985/106-604	1
7 m	771-8985/106-703	771-8985/106-704	1
8 m	771-8985/106-803	771-8985/106-804	1



Connecting cable ▶ Plug - Free end ▶ Strip length (outer insulation): 55 mm			
Total length	Connector color/Strain relief color		PU
	dark gray/black	dark gray/white	
1 m	771-8985/206-103	771-8985/206-104	1
2 m	771-8985/206-203	771-8985/206-204	1
3 m	771-8985/206-303	771-8985/206-304	1
4 m	771-8985/206-403	771-8985/206-404	1
5 m	771-8985/206-503	771-8985/206-504	1
6 m	771-8985/206-603	771-8985/206-604	1
7 m	771-8985/206-703	771-8985/206-704	1
8 m	771-8985/206-803	771-8985/206-804	1

Accessories; for all products on this page



Locking lever; for flying leads; manually operated		
Color	Item No.	PU (SPU)
● black	770-101	100 (25)
○ white	770-121	100 (25)



Locking lever; for flying leads; tool operated		
Color	Item No.	PU (SPU)
● black	770-111	100 (25)
○ white	770-131	100 (25)

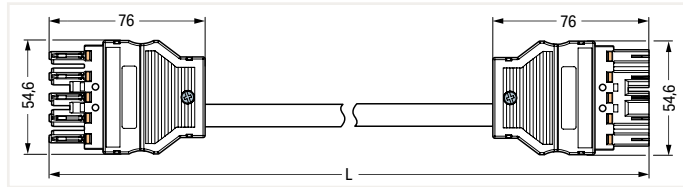


Mounting carrier; for flying leads; 2- to 5-pole		
Color	Item No.	PU
● black	770-310	25

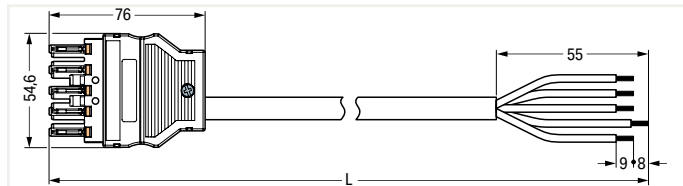
PU = Packaging Unit; SPU = Subpackaging Unit; Dimensions in mm

Cable Assembly ▶ WINSTA® MIDI ▶ 771 Series

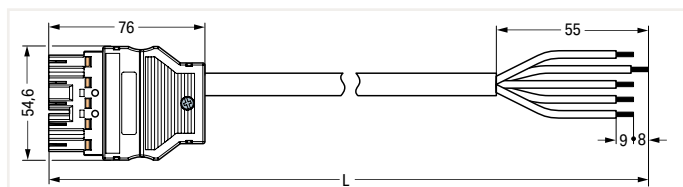
Pole No.: 5 ▶ Protection type: IP20 ▶ Fire class per EN 50575: E_{ca} ▶ Coding: L ▶ 1.5 mm² ▶ Marking: N ⊕ L N' L' ▶ Halogen-free ▶ Sheathed cable diameter: 9.3 ... 11.6 mm ▶ H05Z1Z1-F 5G1.5 ▶ Emergency power supply



Interconnecting cable ▶ Socket - Plug			
Total length	Connector color/Strain relief color		PU
	dark gray/black	dark gray/white	
1 m	771-8985/016-103	771-8985/016-104	1
2 m	771-8985/016-203	771-8985/016-204	1
3 m	771-8985/016-303	771-8985/016-304	1
4 m	771-8985/016-403	771-8985/016-404	1
5 m	771-8985/016-503	771-8985/016-504	1
6 m	771-8985/016-603	771-8985/016-604	1
7 m	771-8985/016-703	771-8985/016-704	1
8 m	771-8985/016-803	771-8985/016-804	1



Connecting cable ▶ Socket - Free end ▶ Strip length (outer insulation): 55 mm			
Total length	Connector color/Strain relief color		PU
	dark gray/black	dark gray/white	
1 m	771-8985/116-103	771-8985/116-104	1
2 m	771-8985/116-203	771-8985/116-204	1
3 m	771-8985/116-303	771-8985/116-304	1
4 m	771-8985/116-403	771-8985/116-404	1
5 m	771-8985/116-503	771-8985/116-504	1
6 m	771-8985/116-603	771-8985/116-604	1
7 m	771-8985/116-703	771-8985/116-704	1
8 m	771-8985/116-803	771-8985/116-804	1



Connecting cable ▶ Plug - Free end ▶ Strip length (outer insulation): 55 mm			
Total length	Connector color/Strain relief color		PU
	dark gray/black	dark gray/white	
1 m	771-8985/216-103	771-8985/216-104	1
2 m	771-8985/216-203	771-8985/216-204	1
3 m	771-8985/216-303	771-8985/216-304	1
4 m	771-8985/216-403	771-8985/216-404	1
5 m	771-8985/216-503	771-8985/216-504	1
6 m	771-8985/216-603	771-8985/216-604	1
7 m	771-8985/216-703	771-8985/216-704	1
8 m	771-8985/216-803	771-8985/216-804	1

Accessories; for all products on this page



Locking lever; for flying leads; manually operated		
Color	Item No.	PU (SPU)
● black	770-101	100 (25)
○ white	770-121	100 (25)



Locking lever; for flying leads; tool operated		
Color	Item No.	PU (SPU)
● black	770-111	100 (25)
○ white	770-131	100 (25)

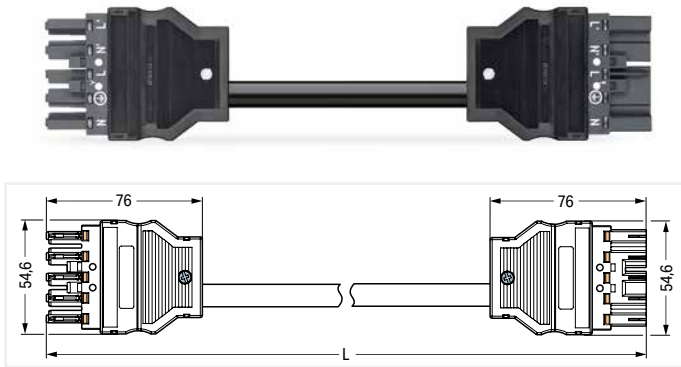


Mounting carrier; for flying leads; 2- to 5-pole		
Color	Item No.	PU
● black	770-310	25

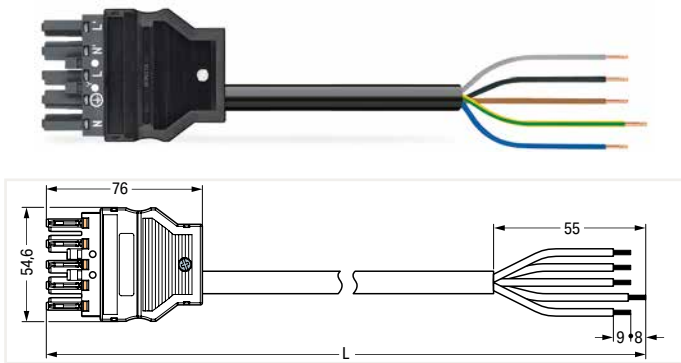
PU = Packaging Unit; SPU = Subpackaging Unit; Dimensions in mm

Cable Assembly ▶ WINSTA® MIDI ▶ 771 Series

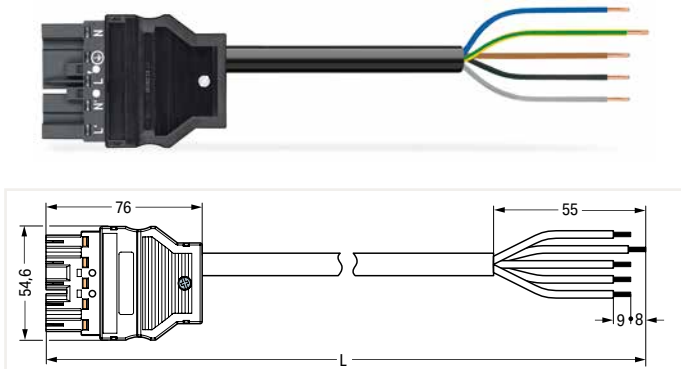
Pole No.: 5 ▶ Protection type: IP20 ▶ Fire class per EN 50575: E_{ca} ▶ Coding: L ▶ 2.5 mm² ▶ Marking: N ⊕ L N' L' ▶ PVC ▶ Sheathed cable diameter: 11.2 ... 13.9 mm ▶ H05VV-F 5G2.5 ▶ Emergency power supply



Interconnecting cable ▶ Socket - Plug			
Total length	Connector color/Strain relief color		PU
	dark gray/black	dark gray/white	
1 m	771-8985/007-103	771-8985/007-104	1
2 m	771-8985/007-203	771-8985/007-204	1
3 m	771-8985/007-303	771-8985/007-304	1
4 m	771-8985/007-403	771-8985/007-404	1
5 m	771-8985/007-503	771-8985/007-504	1
6 m	771-8985/007-603	771-8985/007-604	1
7 m	771-8985/007-703	771-8985/007-704	1
8 m	771-8985/007-803	771-8985/007-804	1



Connecting cable ▶ Socket - Free end ▶ Strip length (outer insulation): 55 mm			
Total length	Connector color/Strain relief color		PU
	dark gray/black	dark gray/white	
1 m	771-8985/107-103	771-8985/107-104	1
2 m	771-8985/107-203	771-8985/107-204	1
3 m	771-8985/107-303	771-8985/107-304	1
4 m	771-8985/107-403	771-8985/107-404	1
5 m	771-8985/107-503	771-8985/107-504	1
6 m	771-8985/107-603	771-8985/107-604	1
7 m	771-8985/107-703	771-8985/107-704	1
8 m	771-8985/107-803	771-8985/107-804	1



Connecting cable ▶ Plug - Free end ▶ Strip length (outer insulation): 55 mm			
Total length	Connector color/Strain relief color		PU
	dark gray/black	dark gray/white	
1 m	771-8985/207-103	771-8985/207-104	1
2 m	771-8985/207-203	771-8985/207-204	1
3 m	771-8985/207-303	771-8985/207-304	1
4 m	771-8985/207-403	771-8985/207-404	1
5 m	771-8985/207-503	771-8985/207-504	1
6 m	771-8985/207-603	771-8985/207-604	1
7 m	771-8985/207-703	771-8985/207-704	1
8 m	771-8985/207-803	771-8985/207-804	1

Accessories; for all products on this page



Locking lever; for flying leads; manually operated		
Color	Item No.	PU (SPU)
● black	770-101	100 (25)
○ white	770-121	100 (25)



Locking lever; for flying leads; tool operated		
Color	Item No.	PU (SPU)
● black	770-111	100 (25)
○ white	770-131	100 (25)



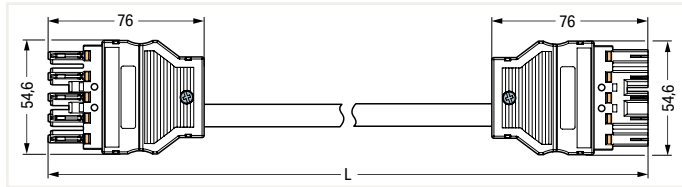
Mounting carrier; for flying leads; 2- to 5-pole		
Color	Item No.	PU
● black	770-310	25

PU = Packaging Unit; SPU = Subpackaging Unit; Dimensions in mm

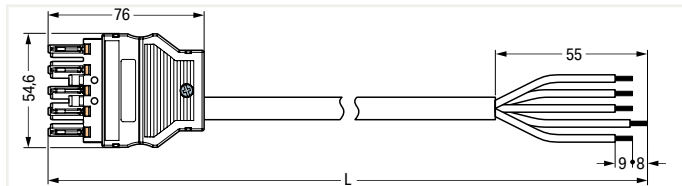
Cable Assembly ▶ WINSTA® MIDI ▶ 771 Series

Pole No.: 5 ▶ Protection type: IP20 ▶ Fire class per EN 50575: E_{ca} ▶ Coding: L ▶ 2.5 mm² ▶ Marking: N ⊕ L N' L' ▶ Halogen-free ▶ Sheathed cable diameter: 11.2 ... 13.9 mm ▶ H05Z1Z1-F 5G2.5 ▶ Emergency power supply

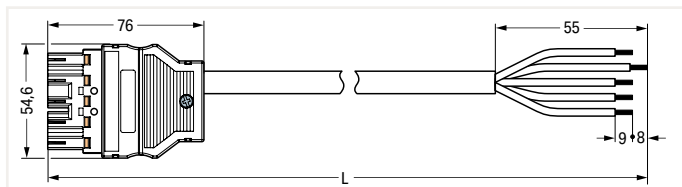
2



Interconnecting cable ▶ Socket - Plug			
Total length	Connector color/Strain relief color		PU
	dark gray/black	dark gray/white	
1 m	771-8985/017-103	771-8985/017-104	1
2 m	771-8985/017-203	771-8985/017-204	1
3 m	771-8985/017-303	771-8985/017-304	1
4 m	771-8985/017-403	771-8985/017-404	1
5 m	771-8985/017-503	771-8985/017-504	1
6 m	771-8985/017-603	771-8985/017-604	1
7 m	771-8985/017-703	771-8985/017-704	1
8 m	771-8985/017-803	771-8985/017-804	1



Connecting cable ▶ Socket - Free end ▶ Strip length (outer insulation): 55 mm			
Total length	Connector color/Strain relief color		PU
	dark gray/black	dark gray/white	
1 m	771-8985/117-103	771-8985/117-104	1
2 m	771-8985/117-203	771-8985/117-204	1
3 m	771-8985/117-303	771-8985/117-304	1
4 m	771-8985/117-403	771-8985/117-404	1
5 m	771-8985/117-503	771-8985/117-504	1
6 m	771-8985/117-603	771-8985/117-604	1
7 m	771-8985/117-703	771-8985/117-704	1
8 m	771-8985/117-803	771-8985/117-804	1



Connecting cable ▶ Plug - Free end ▶ Strip length (outer insulation): 55 mm			
Total length	Connector color/Strain relief color		PU
	dark gray/black	dark gray/white	
1 m	771-8985/217-103	771-8985/217-104	1
2 m	771-8985/217-203	771-8985/217-204	1
3 m	771-8985/217-303	771-8985/217-304	1
4 m	771-8985/217-403	771-8985/217-404	1
5 m	771-8985/217-503	771-8985/217-504	1
6 m	771-8985/217-603	771-8985/217-604	1
7 m	771-8985/217-703	771-8985/217-704	1
8 m	771-8985/217-803	771-8985/217-804	1

Accessories; for all products on this page



Locking lever; for flying leads; manually operated		
Color	Item No.	PU (SPU)
● black	770-101	100 (25)
○ white	770-121	100 (25)



Locking lever; for flying leads; tool operated		
Color	Item No.	PU (SPU)
● black	770-111	100 (25)
○ white	770-131	100 (25)

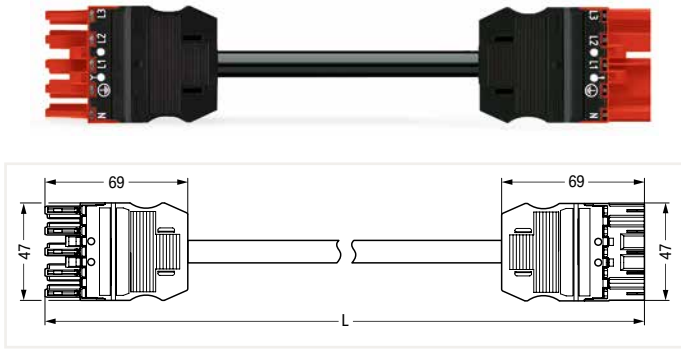


Mounting carrier; for flying leads; 2- to 5-pole		
Color	Item No.	PU
● black	770-310	25

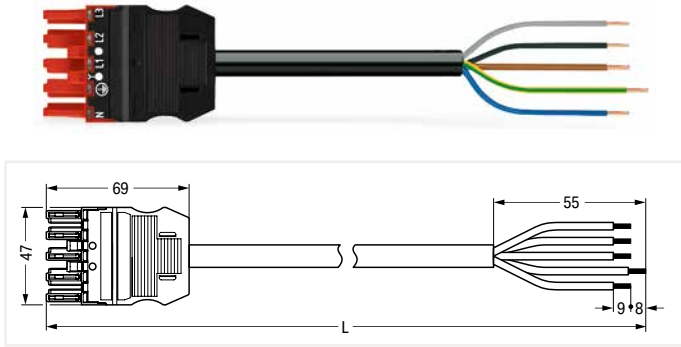
PU = Packaging Unit; SPU = Subpackaging Unit; Dimensions in mm

Cable Assembly ▶ WINSTA® MIDI ▶ 771 Series

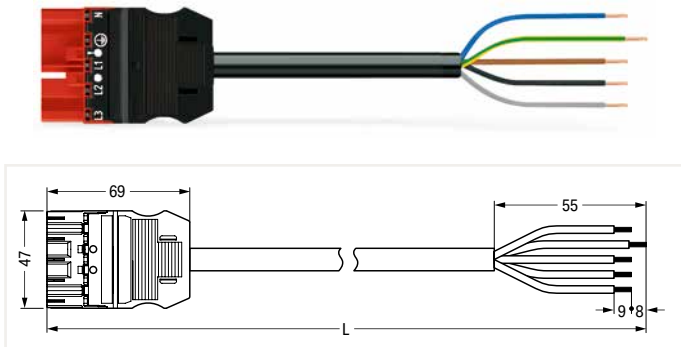
Pole No.: 5 ▶ Protection type: IP20 ▶ Fire class per EN 50575: E_{ca} ▶ Coding: P ▶ 1.5 mm² ▶ Marking: N ⊕ L1 L2 L3 ▶ PVC ▶ Sheathed cable diameter: 9.3 ... 11.6 mm ▶ H05VV-F 5G1.5 ▶ EDV (UPS)



Total length	Connector color/Strain relief color		PU
	red/black	red/white	
1 m	771-9975/006-101	771-9975/006-102	1
2 m	771-9975/006-201	771-9975/006-202	1
3 m	771-9975/006-301	771-9975/006-302	1
4 m	771-9975/006-401	771-9975/006-402	1
5 m	771-9975/006-501	771-9975/006-502	1
6 m	771-9975/006-601	771-9975/006-602	1
7 m	771-9975/006-701	771-9975/006-702	1
8 m	771-9975/006-801	771-9975/006-802	1



Total length	Connector color/Strain relief color		PU
	red/black	red/white	
1 m	771-9975/106-101	771-9975/106-102	1
2 m	771-9975/106-201	771-9975/106-202	1
3 m	771-9975/106-301	771-9975/106-302	1
4 m	771-9975/106-401	771-9975/106-402	1
5 m	771-9975/106-501	771-9975/106-502	1
6 m	771-9975/106-601	771-9975/106-602	1
7 m	771-9975/106-701	771-9975/106-702	1
8 m	771-9975/106-801	771-9975/106-802	1



Total length	Connector color/Strain relief color		PU
	red/black	red/white	
1 m	771-9975/206-101	771-9975/206-102	1
2 m	771-9975/206-201	771-9975/206-202	1
3 m	771-9975/206-301	771-9975/206-302	1
4 m	771-9975/206-401	771-9975/206-402	1
5 m	771-9975/206-501	771-9975/206-502	1
6 m	771-9975/206-601	771-9975/206-602	1
7 m	771-9975/206-701	771-9975/206-702	1
8 m	771-9975/206-801	771-9975/206-802	1

2

Accessories; for all products on this page



Locking lever; for flying leads; manually operated		
Color	Item No.	PU (SPU)
● black	770-101	100 (25)
○ white	770-121	100 (25)



Locking lever; for flying leads; tool operated		
Color	Item No.	PU (SPU)
● black	770-111	100 (25)
○ white	770-131	100 (25)



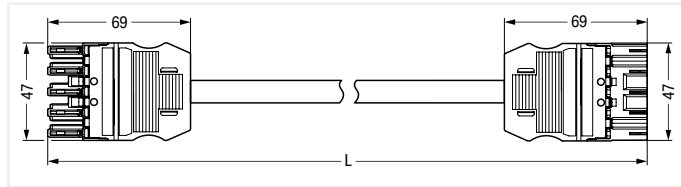
Mounting carrier; for flying leads; 2- to 5-pole		
Color	Item No.	PU
● black	770-310	25

PU = Packaging Unit; SPU = Subpackaging Unit; Dimensions in mm

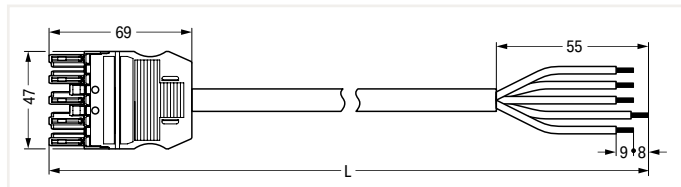
Cable Assembly ▶ WINSTA® MIDI ▶ 771 Series

Pole No.: 5 ▶ Protection type: IP20 ▶ Fire class per EN 50575: E_{ca} ▶ Coding: P ▶ 1.5 mm² ▶ Marking: N ⊕ L1 L2 L3 ▶ Halogen-free ▶ Sheathed cable diameter: 9.3 ... 11.6 mm ▶ H05Z1Z1-F 5G1.5 ▶ EDV (UPS)

2



Interconnecting cable ▶ Socket - Plug			
Total length	Connector color/Strain relief color		PU
	red/black	red/white	
1 m	771-9975/016-101	771-9975/016-102	1
2 m	771-9975/016-201	771-9975/016-202	1
3 m	771-9975/016-301	771-9975/016-302	1
4 m	771-9975/016-401	771-9975/016-402	1
5 m	771-9975/016-501	771-9975/016-502	1
6 m	771-9975/016-601	771-9975/016-602	1
7 m	771-9975/016-701	771-9975/016-702	1
8 m	771-9975/016-801	771-9975/016-802	1



Connecting cable ▶ Socket - Free end ▶ Strip length (outer insulation): 55 mm			
Total length	Connector color/Strain relief color		PU
	red/black	red/white	
1 m	771-9975/116-101	771-9975/116-102	1
2 m	771-9975/116-201	771-9975/116-202	1
3 m	771-9975/116-301	771-9975/116-302	1
4 m	771-9975/116-401	771-9975/116-402	1
5 m	771-9975/116-501	771-9975/116-502	1
6 m	771-9975/116-601	771-9975/116-602	1
7 m	771-9975/116-701	771-9975/116-702	1
8 m	771-9975/116-801	771-9975/116-802	1



Connecting cable ▶ Plug - Free end ▶ Strip length (outer insulation): 55 mm			
Total length	Connector color/Strain relief color		PU
	red/black	red/white	
1 m	771-9975/216-101	771-9975/216-102	1
2 m	771-9975/216-201	771-9975/216-202	1
3 m	771-9975/216-301	771-9975/216-302	1
4 m	771-9975/216-401	771-9975/216-402	1
5 m	771-9975/216-501	771-9975/216-502	1
6 m	771-9975/216-601	771-9975/216-602	1
7 m	771-9975/216-701	771-9975/216-702	1
8 m	771-9975/216-801	771-9975/216-802	1

Accessories; for all products on this page



Locking lever; for flying leads; manually operated		
Color	Item No.	PU (SPU)
● black	770-101	100 (25)
○ white	770-121	100 (25)



Locking lever; for flying leads; tool operated		
Color	Item No.	PU (SPU)
● black	770-111	100 (25)
○ white	770-131	100 (25)

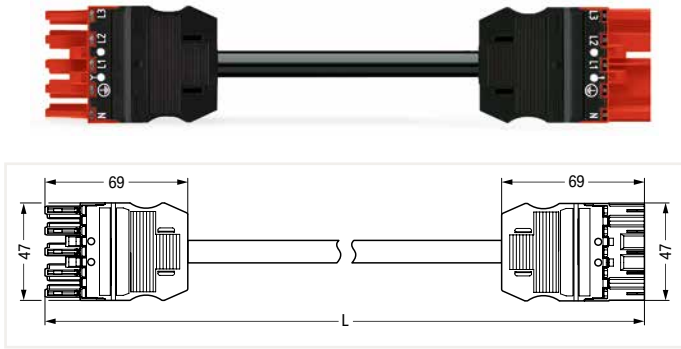


Mounting carrier; for flying leads; 2- to 5-pole		
Color	Item No.	PU
● black	770-310	25

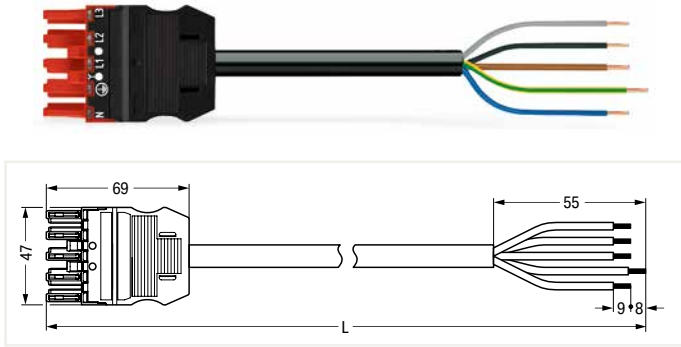
PU = Packaging Unit; SPU = Subpackaging Unit; Dimensions in mm

Cable Assembly ▶ WINSTA® MIDI ▶ 771 Series

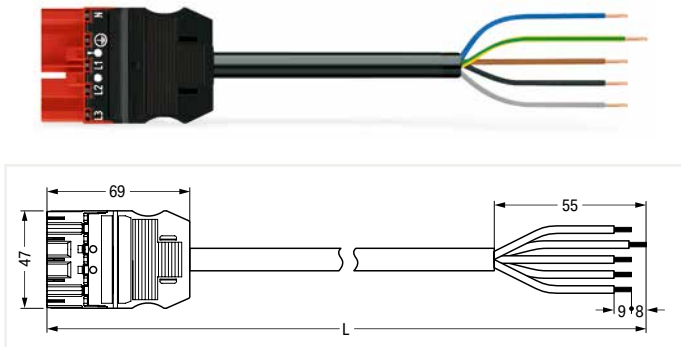
Pole No.: 5 ▶ Protection type: IP20 ▶ Fire class per EN 50575: E_{ca} ▶ Coding: P ▶ 2.5 mm² ▶ Marking: N ⊕ L1 L2 L3 ▶ PVC ▶ Sheathed cable diameter: 11.2 ... 13.9 mm ▶ H05VV-F 5G2.5 ▶ EDV (UPS)



Total length	Connector color/Strain relief color		PU
	red/black	red/white	
1 m	771-9975/007-101	771-9975/007-102	1
2 m	771-9975/007-201	771-9975/007-202	1
3 m	771-9975/007-301	771-9975/007-302	1
4 m	771-9975/007-401	771-9975/007-402	1
5 m	771-9975/007-501	771-9975/007-502	1
6 m	771-9975/007-601	771-9975/007-602	1
7 m	771-9975/007-701	771-9975/007-702	1
8 m	771-9975/007-801	771-9975/007-802	1



Total length	Connector color/Strain relief color		PU
	red/black	red/white	
1 m	771-9975/107-101	771-9975/107-102	1
2 m	771-9975/107-201	771-9975/107-202	1
3 m	771-9975/107-301	771-9975/107-302	1
4 m	771-9975/107-401	771-9975/107-402	1
5 m	771-9975/107-501	771-9975/107-502	1
6 m	771-9975/107-601	771-9975/107-602	1
7 m	771-9975/107-701	771-9975/107-702	1
8 m	771-9975/107-801	771-9975/107-802	1



Total length	Connector color/Strain relief color		PU
	red/black	red/white	
1 m	771-9975/207-101	771-9975/207-102	1
2 m	771-9975/207-201	771-9975/207-202	1
3 m	771-9975/207-301	771-9975/207-302	1
4 m	771-9975/207-401	771-9975/207-402	1
5 m	771-9975/207-501	771-9975/207-502	1
6 m	771-9975/207-601	771-9975/207-602	1
7 m	771-9975/207-701	771-9975/207-702	1
8 m	771-9975/207-801	771-9975/207-802	1

Accessories; for all products on this page



Locking lever; for flying leads; manually operated		
Color	Item No.	PU (SPU)
● black	770-101	100 (25)
○ white	770-121	100 (25)



Locking lever; for flying leads; tool operated		
Color	Item No.	PU (SPU)
● black	770-111	100 (25)
○ white	770-131	100 (25)



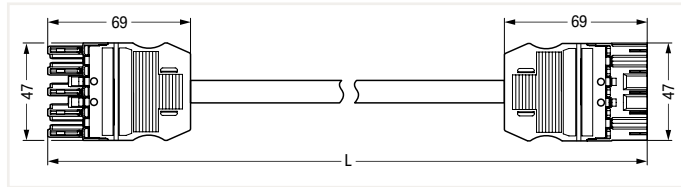
Mounting carrier; for flying leads; 2- to 5-pole		
Color	Item No.	PU
● black	770-310	25

PU = Packaging Unit; SPU = Subpackaging Unit; Dimensions in mm

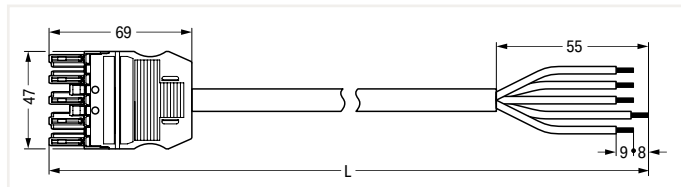
Cable Assembly ▶ WINSTA® MIDI ▶ 771 Series

Pole No.: 5 ▶ Protection type: IP20 ▶ Fire class per EN 50575: E_{ca} ▶ Coding: P ▶ 2.5 mm² ▶ Marking: N ⊕ L1 L2 L3 ▶ Halogen-free ▶ Sheathed cable diameter: 11.2 ... 13.9 mm ▶ H05Z1Z1-F 5G2.5 ▶ EDV (UPS)

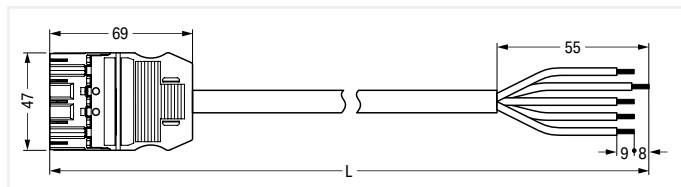
2



Interconnecting cable ▶ Socket - Plug			
Total length	Connector color/Strain relief color		PU
	red/black	red/white	
1 m	771-9975/017-101	771-9975/017-102	1
2 m	771-9975/017-201	771-9975/017-202	1
3 m	771-9975/017-301	771-9975/017-302	1
4 m	771-9975/017-401	771-9975/017-402	1
5 m	771-9975/017-501	771-9975/017-502	1
6 m	771-9975/017-601	771-9975/017-602	1
7 m	771-9975/017-701	771-9975/017-702	1
8 m	771-9975/017-801	771-9975/017-802	1



Connecting cable ▶ Socket - Free end ▶ Strip length (outer insulation): 55 mm			
Total length	Connector color/Strain relief color		PU
	red/black	red/white	
1 m	771-9975/117-101	771-9975/117-102	1
2 m	771-9975/117-201	771-9975/117-202	1
3 m	771-9975/117-301	771-9975/117-302	1
4 m	771-9975/117-401	771-9975/117-402	1
5 m	771-9975/117-501	771-9975/117-502	1
6 m	771-9975/117-601	771-9975/117-602	1
7 m	771-9975/117-701	771-9975/117-702	1
8 m	771-9975/117-801	771-9975/117-802	1



Connecting cable ▶ Plug - Free end ▶ Strip length (outer insulation): 55 mm			
Total length	Connector color/Strain relief color		PU
	red/black	red/white	
1 m	771-9975/217-101	771-9975/217-102	1
2 m	771-9975/217-201	771-9975/217-202	1
3 m	771-9975/217-301	771-9975/217-302	1
4 m	771-9975/217-401	771-9975/217-402	1
5 m	771-9975/217-501	771-9975/217-502	1
6 m	771-9975/217-601	771-9975/217-602	1
7 m	771-9975/217-701	771-9975/217-702	1
8 m	771-9975/217-801	771-9975/217-802	1

Accessories; for all products on this page



Locking lever; for flying leads; manually operated		
Color	Item No.	PU (SPU)
● black	770-101	100 (25)
○ white	770-121	100 (25)



Locking lever; for flying leads; tool operated		
Color	Item No.	PU (SPU)
● black	770-111	100 (25)
○ white	770-131	100 (25)



Mounting carrier; for flying leads; 2- to 5-pole		
Color	Item No.	PU
● black	770-310	25

PU = Packaging Unit; SPU = Subpackaging Unit; Dimensions in mm