



WAGO Pluggable Connection System

WINSTA® IDC

Important note:

The *WINSTA*® IDC system consists of the flat cables and the appropriate *WINSTA*® connection components that are described in this catalog and marked with "Woertz."

WAGO warrants the fault-free function of the *WINSTA*® IDC system only where original components are utilized.

Notice:



Only use identically coded supply and tap-off modules on the same cable!

- A- and P-coding (N ⊕ L1 L2 L3) are designed for a 400 V three-phase current cable configuration.
- I-coding (N ⊕ L DA- DA+) is designed for up to 230 V and dimming cable configurations.
- B-coding (N ⊕ L1 L2 L3) is designed for custom cable configurations.

Only modules with the same pole marking shall be used within an application.

WAGO Pluggable Connection System WINSTA® IDC ▶ 772, 893, 895, 896 Series for Flat Cables up to 16 mm²

- Note:
- Installation connectors are designed for connection and disconnection while not under load.
 - There is no hazard-inducing interchangeability with systems based on IEC 60309, IEC 60320, IEC 60906 and with national connector and socket systems.
 - Installation connector systems are not a substitute for residential connector/socket systems.
 - WINSTA® IDC Connectors are not intended for installation in open or easily accessible areas.

	Page	
	IDC Modules for Flat Cables 5 x 2.5 mm ² / 5 x 4 mm ² / 5 x 2.5 mm ² + 2 x 1.5 mm ² ; 772 Series Supply Modules 321 Tap-Off Modules, WINSTA® Connectors 321	
		IDC Modules for Flat Cables 5 x 2.5 mm ² + 2 x 1.5 mm ² ; 893 Series Supply Modules (KNX and Special Coding) 325 Tap-Off Modules (KNX and Special Coding) 326
		IDC Modules for Flat Cables 2 x 1.5 mm ² ; 893 Series Supply Modules (KNX and Special Coding) 329 Tap-Off Modules (KNX and Special Coding) 330
	IDC Modules for Flat Cables 3 x 2.5 mm ² ; 896 Series Supply Modules 333 Tap-Off Modules 334	
		POWERBLOCK 10 for Flat Cable 5 x 10 mm ² ; 895 Series Supply Modules 337 Tap-Off Modules 338
		POWERBLOCK 16 for Flat Cable 5 x 16 mm ² ; 895 Series Supply Modules 341 Tap-Off Modules 342

WINSTA® IDC ▶ 772 Series Installation



Insert flat cable into base (observe coding!).



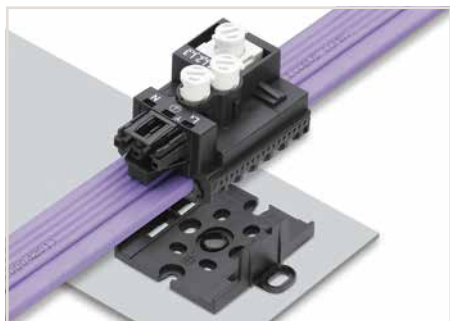
Mount IDC module flush with the base.
Should the IDC module jam during mounting, turn the upper part by 180° and remount it.



Screw down contact elements until element stops.



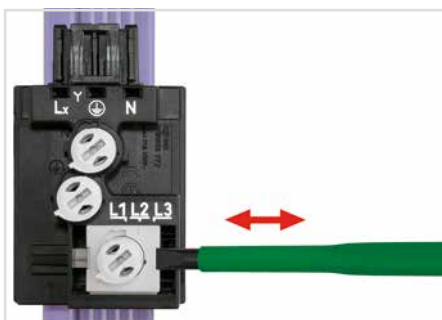
The mounting plate can be centrally mounted, or attached via outboard attachment points using 770-601 Mounting Pins.



Snapping a supply or tap-off module onto a mounting plate.



The phase selector is in position L2 (center) when delivered.

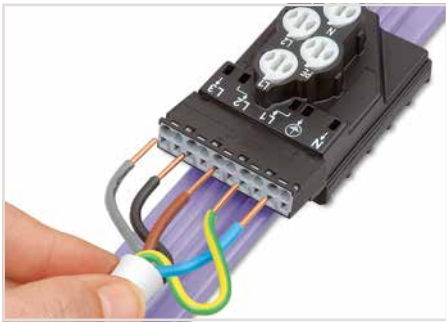


Move the phase selector into position L1 or L3 if required.



After connecting the flat cable, the IDC module is locked and can no longer be moved, even after unscrewing the contact element.

6



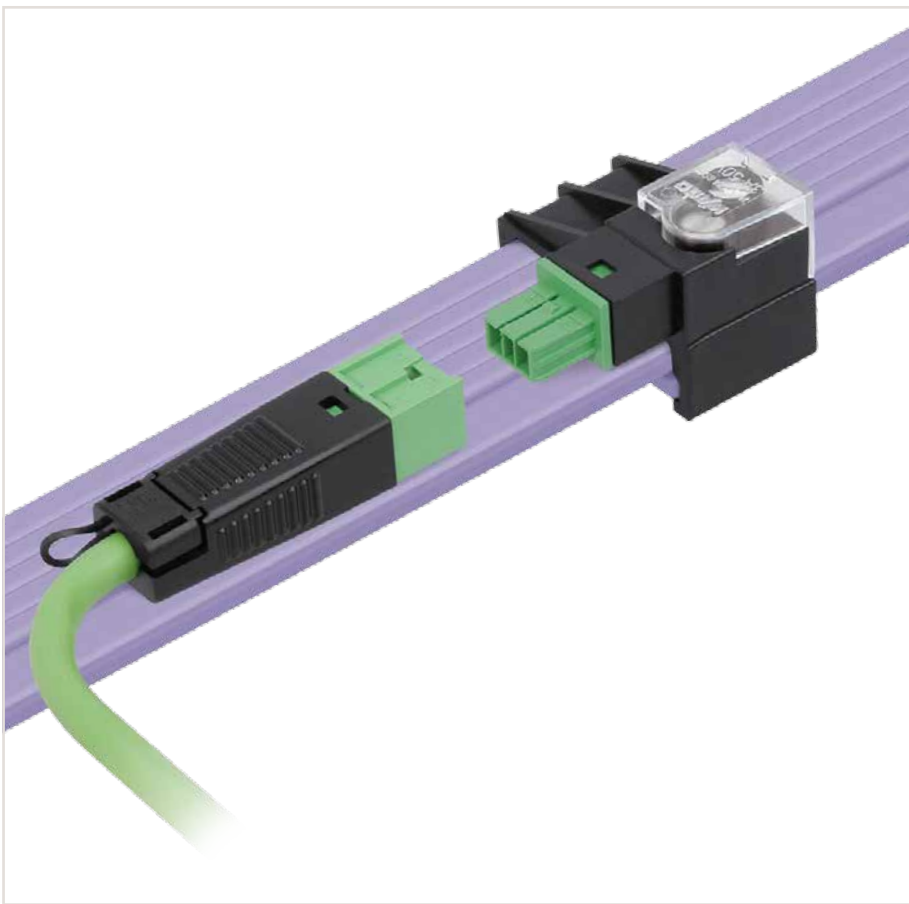
Connecting an installation cable to the supply module: Simply push stripped, solid conductors into unit. Open clamp via screwdriver to insert stripped, fine-stranded conductors.



Secure supply cable via strain relief housing.



Tighten strain relief screw using a screwdriver.



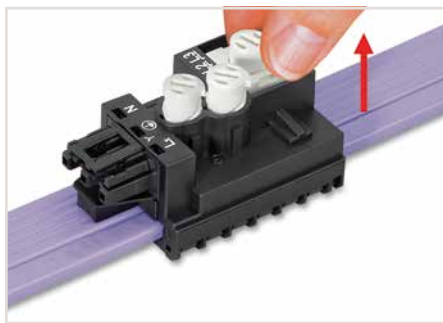
Tighten the screws to connect the flat cable. Observe 1 Nm of tightening torque!



Snap the transparent protective cover onto the module.



Notice: Should it be necessary to tap another phase, this must be done in a different location. To do so, the contact elements must be unscrewed and brought back to their original position.



Lift contact element to unlock phase selector and select the new phase. Notice: Do not reuse in the same location of the flat cable.



Use insulating tape to seal the contact holes in the flat cable after removing a module.

6

Supply/Tap-Off Module ► WINSTA® IDC ► 772 Series

for flat cable 5 x 2.5 mm², 5 x 4 mm², 5 x 2.5 mm² + 2 x 1.5 mm²



- Set: Supply module and strain relief housing 770-505
- Suitable for bus and power lines or for bus and power combined in one cable
- Easy installation without line interruption due to convenient insulation displacement technology (IDC)
- WINSTA® IDC Supply and Tap-Off Modules allow connection at any location of the flat cable – one rotation per pole is all that is required

Electrical Data

Ratings per	IEC/EN 60664-1		
Overvoltage category	III	III	II
Pollution degree	3	2	2
Rated voltage	400 V	-	-
Rated impulse voltage	6 kV	-	-
Rated current	25 A	-	-

Material Data

Insulation material	Polyamide (PA66)
Contact material	Copper or copper alloy (surface-treated)

Mechanical Data

Retention force of a plug-in connection	When locked: > 80 N
Protection type	IP20
Note on protection type	When mated: IP2xC (These compact connectors are not designed for use in open, easily accessible areas!)

Environmental Requirements

Processing temperature	-5 ... +40 °C
Continuous operating temperature	-35 ... +85 °C
Note on continuous operating temperature	PVC cable for temperatures ≤ 70 °C (including halogen-free) PVC flat cable for temperatures -15 °C to ≤ 70 °C (including halogen-free) Insulating parts for temperatures ≤ 105 °C

All WINSTA® components are 100% protected against mismatching when:

- plugging different numbers of poles
- plugging while rotated 180
- plugging while laterally staggered
- plugging one pole

Cables and pluggable connectors Page 398

Tool Page 400

See technical section for further information

For approvals and corresponding ratings, visit www.wago.com

Supply/Tap-Off Module ▶ WINSTA® IDC ▶ 772 Series

for flat cable 5 x 2.5 mm², 5 x 4 mm², 5 x 2.5 mm² + 2 x 1.5 mm²

Supply module ▶ Pole No.: 5

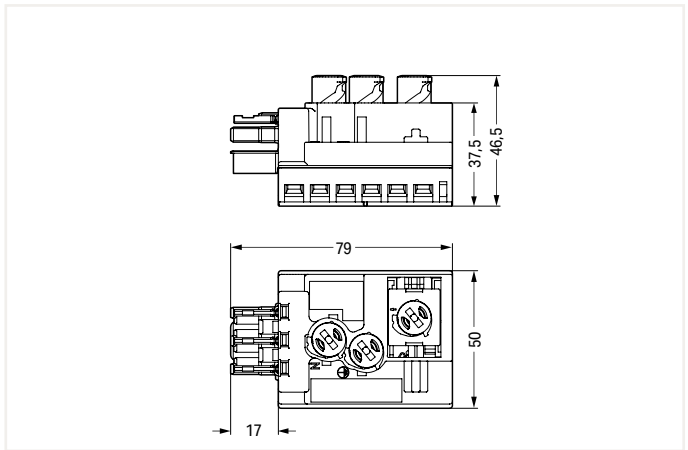
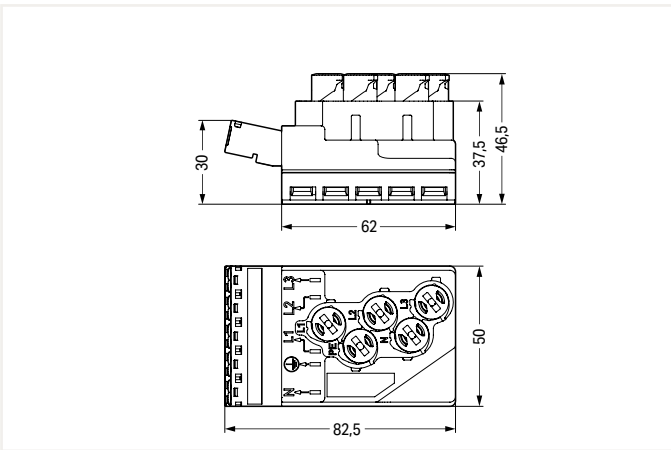
Tap-off module ▶ Pole No.: 3



772-263

Color	Item No.	PU
● black	772-261	10
● blue	772-271	10
● red	772-267	10
● gray	772-264/060-000	10

Color	Item No.	PU
● black	772-263	10
● red	772-269	10
● gray	772-266/060-000	10



Item-Specific Accessories



Lockout cap; for socket; separable; Pole No.: 12

Color	Item No.	PU
● black	770-201	100
○ white	770-221	100

Accessories; for all products on this page



Mounting plate;

Color	Item No.	PU
● black	772-260	10

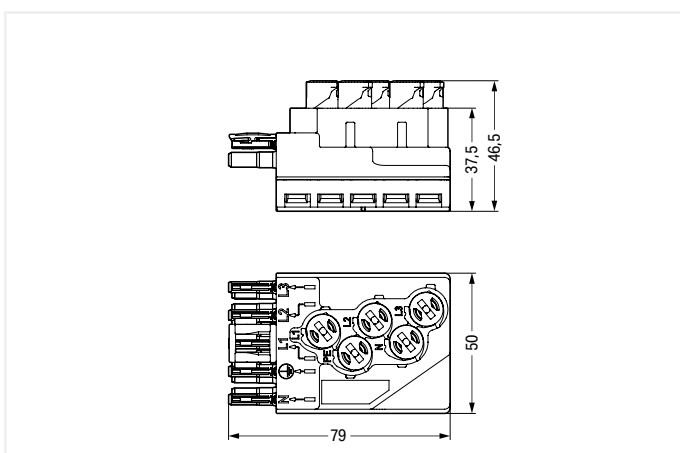
PU = Packaging Unit; SPU = Subpackaging Unit; Dimensions in mm

Supply/Tap-Off Module ▶ WINSTA® IDC ▶ 772 Series for flat cable 5 x 2.5 mm², 5 x 4 mm², 5 x 2.5 mm² + 2 x 1.5 mm²

Tap-off module ▶ Pole No.: 5



Color	Item No.	PU
● black	772-262	10
● blue	772-272	10
● red	772-268	10
● gray	772-265/060-000	10



6

Accessories; for all products on this page



Lockout cap; for socket; separable; Pole No.: 12

Color	Item No.	PU
● black	770-201	100
○ white	770-221	100

Mounting plate;

Color	Item No.	PU
● black	772-260	10

PU = Packaging Unit; SPU = Subpackaging Unit; Dimensions in mm

Supply/Tap-Off Module ▶ WINSTA® IDC ▶ 893 Series for flat cable 5 x 2.5 mm² + 2 x 1.5 mm² ▶ Pole No.: 2



- Suitable for bus and power lines or for bus and power combined in one cable
- Easy installation without line interruption due to convenient insulation displacement technology (IDC)
- WINSTA® IDC Supply and Tap-Off Modules allow connection at any point along the flat cable – one rotation per pole is all that is required.

Electrical Data

Ratings per	IEC/EN 60664-1		
Overvoltage category	III	III	II
Pollution degree	3	2	2
Rated voltage	50 V	-	-
Rated impulse voltage	0.8 kV	-	-
Rated current	3 A	-	-

Material Data

Insulation material	Polyamide (PA66)
Contact material	Copper or copper alloy (surface-treated)
Fire class per EN 50575	E _{ca}

Mechanical Data

Number of mating cycles	200
Retention force of a plug-in connection	When locked: > 80 N
Protection type	IP20
Note on protection type	When mated: IP2xC (These compact connectors are not designed for use in open, easily accessible areas!)

Environmental Requirements

Processing temperature	-5 ... +40 °C
Continuous operating temperature	-35 ... +85 °C
Note on continuous operating temperature	PVC cable for temperatures ≤ 70 °C (including halogen-free) PVC flat cable for temperatures -15 °C to ≤ 70 °C (including halogen-free) Insulating parts for temperatures ≤ 105 °C

All WINSTA® components are 100% protected against mismatching when:

- a.) plugging different numbers of poles
- b.) plugging while rotated 180
- c.) plugging while laterally staggered
- d.) plugging one pole

Cables and pluggable connectors Page 399

See technical section for further information

For approvals and corresponding ratings, visit www.wago.com

Supply/Tap-Off Module ▶ WINSTA® IDC ▶ 893 Series for flat cable 5 x 2.5 mm² + 2 x 1.5 mm² ▶ Pole No.: 2

Supply module



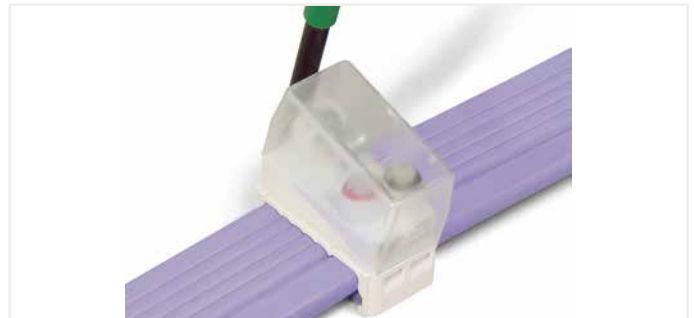
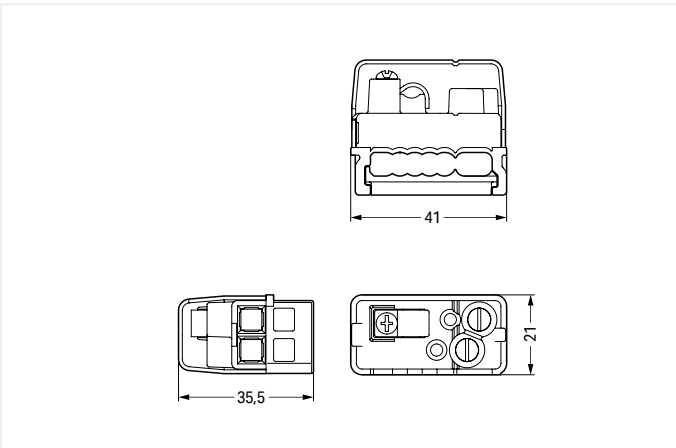
893-261



The IDC module can only be mounted if the two codings match each other.

Color	Item No.	PU
● gray	893-261	50

Should the IDC module jam during mounting, turn the module by 180° and remount it, flush with the base.

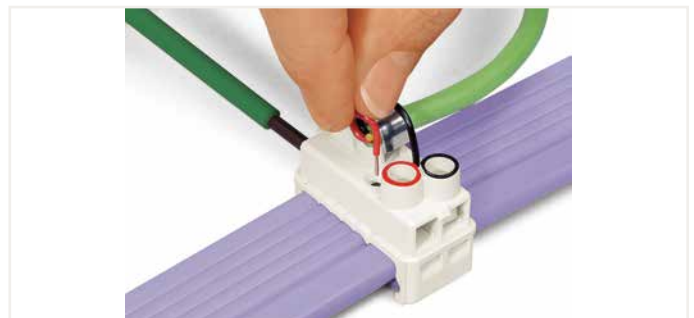


Remove transparent cover using a screwdriver.



Tighten the screws that are marked in red and black to connect the flat cable.

Observe 1 Nm of tightening torque!



Secure bus cable via strain relief and terminate stripped conductors as shown in the picture.

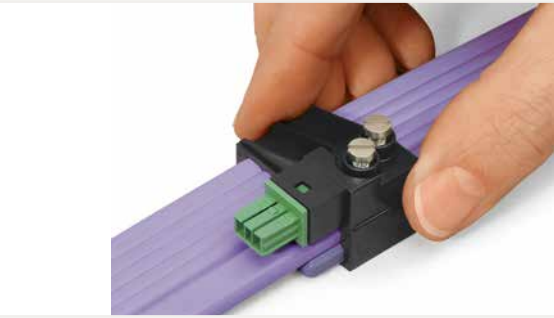
6

Supply/Tap-Off Module ▶ WINSTA® IDC ▶ 893 Series for flat cable 5 x 2.5 mm² + 2 x 1.5 mm² ▶ Pole No.: 2

Tap-off module



893-262



The IDC module can only be mounted if the two codings match each other.

Should the IDC module jam during mounting, turn the module by 180° and remount it, flush with the base.

Color	Item No.	PU
● green	893-262	50
○ light gray	893-269	50

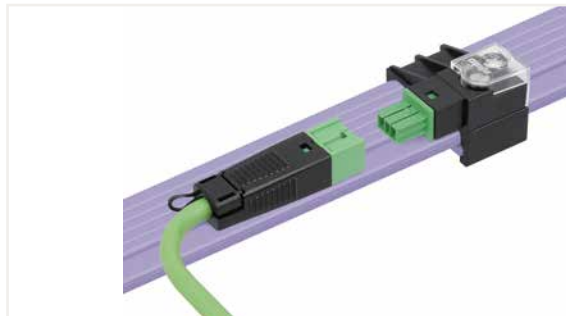


Tighten the screws to connect the flat cable.

Observe 1 Nm of tightening torque!



Snap the transparent protective cover onto the module.



Connect the cable assembly to the module.

6

Supply/Tap-Off Module ▶ WINSTA® IDC ▶ 893 Series for flat cable 2 x 1.5 mm² ▶ Pole No.: 2



- Suitable for bus and power lines or for bus and power combined in one cable
- Easy installation without line interruption due to convenient insulation displacement technology (IDC)
- WINSTA® IDC Supply and Tap-Off Modules allow connection at any point along the flat cable – one rotation per pole is all that is required.

Electrical Data

Ratings per	IEC/EN 60664-1		
Overvoltage category	III	III	II
Pollution degree	3	2	2
Rated voltage	50 V	-	-
Rated impulse voltage	0.8 kV	-	-
Rated current	3 A	-	-

Connection Data

Connection technology	IDC
-----------------------	-----

Material Data

Insulation material	Polyamide (PA66)
Contact material	Copper or copper alloy (surface-treated)
Fire class per EN 50575	E _{ca}

Mechanical Data

Number of mating cycles	200
Retention force of a plug-in connection	When locked: > 80 N
Protection type	IP20
Note on protection type	When mated: IP2xC (These compact connectors are not designed for use in open, easily accessible areas!)

Environmental Requirements

Processing temperature	-5 ... +40 °C
Continuous operating temperature	-35 ... +85 °C
Note on continuous operating temperature	PVC cable for temperatures ≤ 70 °C (including halogen-free) PVC flat cable for temperatures -15 °C to ≤ 70 °C (including halogen-free) Insulating parts for temperatures ≤ 105 °C

All WINSTA® components are 100% protected against mismatching when:

- a.) plugging different numbers of poles
- b.) plugging while rotated 180
- c.) plugging while laterally staggered
- d.) plugging one pole

Cables and pluggable connectors Page 397

See technical section for further information

For approvals and corresponding ratings, visit www.wago.com

Supply/Tap-Off Module ▶ WINSTA® IDC ▶ 893 Series for flat cable 2 x 1.5 mm² ▶ Pole No.: 2

Supply module



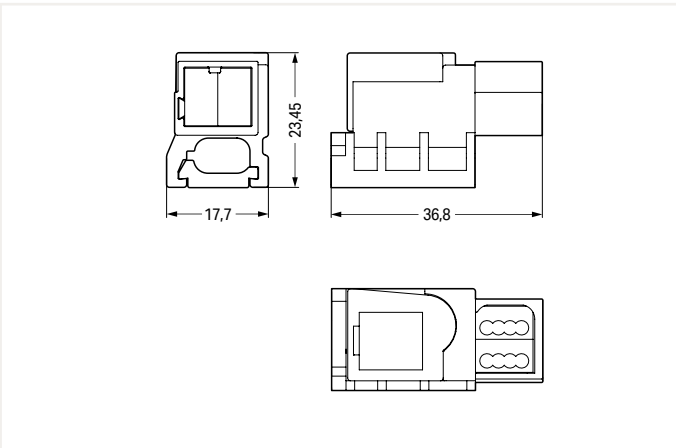
893-121



The IDC module can only be mounted if the two codings match each other.

Color	Item No.	PU
● black	893-121	25

Should the IDC module jam during mounting, turn the module by 180° and remount it, flush with the base.

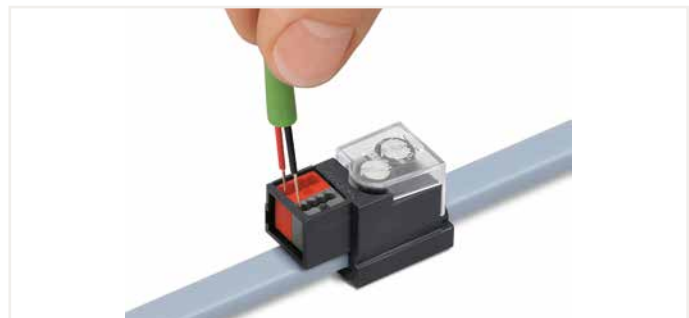


Tighten the screws to connect the flat cable.

Observe 1 Nm of tightening torque!



Snap the transparent protective cover onto the module.



Terminate stripped, solid conductors by simply pushing them into unit until they hit backstop.

6

Supply/Tap-Off Module ▶ WINSTA® IDC ▶ 893 Series for flat cable 2 x 1.5 mm² ▶ Pole No.: 2

Tap-off module



893-129



The IDC module can only be mounted if the two codings match each other.

Should the IDC module jam during mounting, turn the module by 180° and remount it, flush with the base.

Color	Item No.	PU
○ light gray	893-129	50
● green	893-122	50

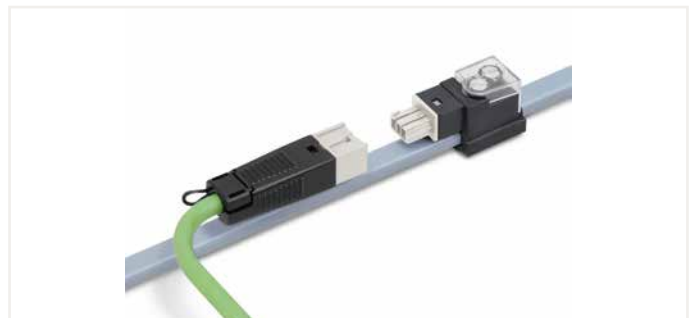


Tighten the screws to connect the flat cable.

Observe 1 Nm of tightening torque!



Snap the transparent protective cover onto the module.



Connect the cable assembly to the module.

6

Supply/Tap-Off Module ► WINSTA® IDC ► 896 Series for flat cable 3 x 2.5 mm²



- Suitable for bus and power lines or for bus and power combined in one cable
- Easy installation without line interruption due to convenient insulation displacement technology (IDC)
- WINSTA® IDC Supply and Tap-Off Modules allow connection at any point along the flat cable – one rotation per pole is all that is required.

Electrical Data

Ratings per	IEC/EN 60664-1		
Overvoltage category	III	III	II
Pollution degree	3	2	2
Rated voltage	250 V	-	-
Rated impulse voltage	4 kV	-	-
Rated current	24 A	-	-

Material Data

Insulation material	Polyamide (PA66)
Contact material	Copper or copper alloy (surface-treated)

Mechanical Data

Protection type	IP20
-----------------	------

Environmental Requirements

Processing temperature	-5 ... +40 °C
Continuous operating temperature	-35 ... +85 °C

All WINSTA® components are 100% protected against mismatching when:

- a.) plugging different numbers of poles
- b.) plugging while rotated 180
- c.) plugging while laterally staggered
- d.) plugging one pole

Cables and pluggable connectors Page 398

See technical section for further information

For approvals and corresponding ratings, visit www.wago.com

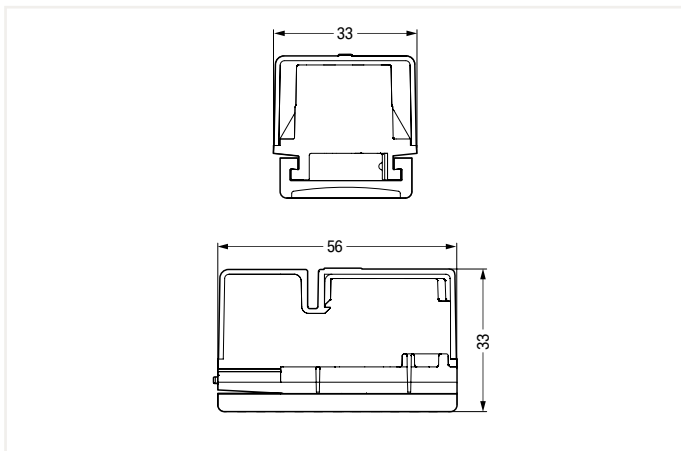
Supply/Tap-Off Module ▶ WINSTA® IDC ▶ 896 Series for flat cable 3 x 2.5 mm²

Supply module ▶ Pole No.: 3



896-231

Color	Item No.	PU
● gray	896-231	10



Supply/Tap-Off Module ▶ WINSTA® IDC ▶ 896 Series for flat cable 3 x 2.5 mm²

Tap-off module ▶ Pole No.: 3

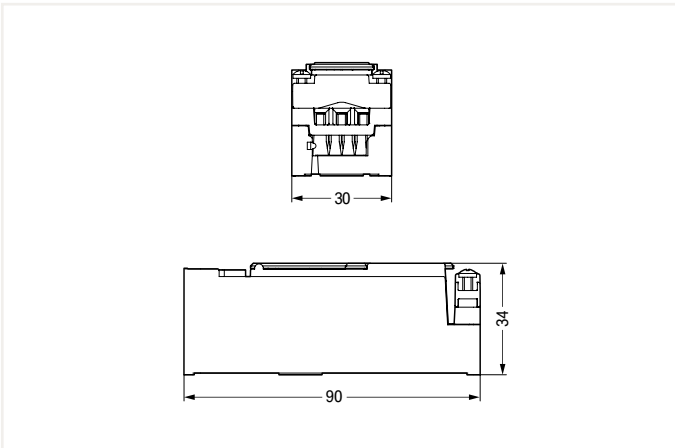


896-232



Position the base and tighten screw, if necessary. Insert flat cable accurately. The key in the base must match the groove in the cable insulation.

Color	Item No.	PU
● gray	896-232	10



Cut outgoing feeder cable, completely strip and insert conductors. Tighten screws firmly (observe 0.7 Nm of tightening torque).



Insert upper part into base until it hits the stop (which will click when engaged). Push down and lock lever. All three cores are contacted simultaneously.

6

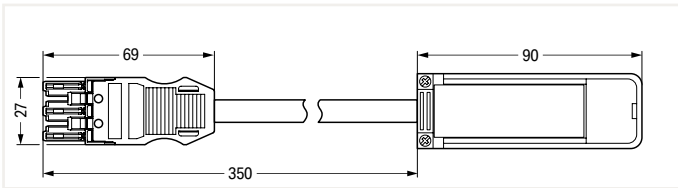
Supply/Tap-Off Module ▶ WINSTA® IDC ▶ 896 Series for flat cable 3 x 2.5 mm²

Cable assembly



896-233

Color	Item No.	PU
● black	896-233	1
○ white	896-234	1



PU = Packaging Unit; SPU = Subpackaging Unit; Dimensions in mm

Supply/Tap-Off Module ► WINSTA® IDC ► 895 Series for flat cable 5 x 10 mm² ► Pole No.: 5



- Suitable for bus and power lines or for bus and power combined in one cable
- Easy installation without line interruption due to convenient insulation displacement technology (IDC)
- WINSTA® IDC Supply and Tap-Off Modules allow connection at any point along the flat cable – one rotation per pole is all that is required.

Electrical Data

Main product function	Supply module			Tap-off module		
Ratings per	IEC/EN 60664-1					
Overvoltage category	III	III	II	III	III	II
Pollution degree	3	2	2	3	2	2
Rated voltage	750 V	-	-	690 V	-	-
Rated impulse voltage	8 kV	-	-	8 kV	-	-
Rated current	57 A	-	-	32 A	-	-

Material Data

Insulation material	Polyamide (PA66)
Contact material	Copper or copper alloy (surface-treated)

Mechanical Data

Retention force of a plug-in connection	When locked: > 80 N
Protection type	IP20
Note on protection type	When mated: IP2xC (These compact connectors are not designed for use in open, easily accessible areas!)

Environmental Requirements

Processing temperature	-5 ... +40 °C
Continuous operating temperature	-35 ... +85 °C
Note on continuous operating temperature	PVC cable for temperatures ≤ 70 °C (including halogen-free) PVC flat cable for temperatures -15 °C to ≤ 70 °C (including halogen-free) Insulating parts for temperatures ≤ 105 °C

All WINSTA® components are 100% protected against mismatching when:

- a.) plugging different numbers of poles
- b.) plugging while rotated 180
- c.) plugging while laterally staggered
- d.) plugging one pole

Cables and pluggable connectors Page 399

See technical section for further information

For approvals and corresponding ratings, visit www.wago.com

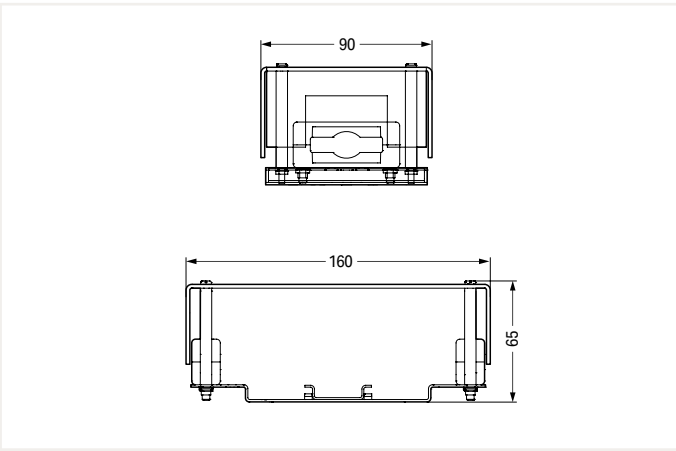
Supply/Tap-Off Module ▶ WINSTA® IDC ▶ 895 Series for flat cable 5 x 10 mm² ▶ Pole No.: 5

Supply module



895-1051

Color	Item No.	PU
○ transparent	895-1051	1



Cut both sides of the flat cable insulation using a stripping knife (observe 30 mm of cutting length).



Cut off the flat cable insulation via cable cutter.



Push end cover fully onto the conductor ends.

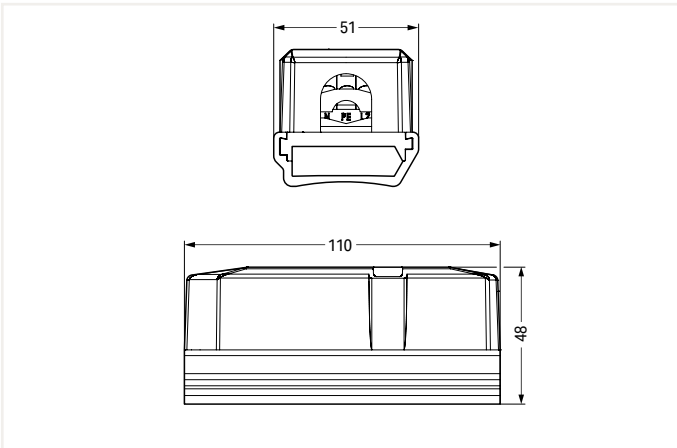
Supply/Tap-Off Module ▶ WINSTA® IDC ▶ 895 Series for flat cable 5 x 10 mm² ▶ Pole No.: 5

Tap-off module



895-1052

Color	Item No.	PU
<input type="radio"/> transparent	895-1052	25



6

Supply/Tap-Off Module ▶ WINSTA® IDC ▶ 895 Series for flat cable 5 x 16 mm² ▶ Pole No.: 5



- Suitable for bus and power lines or for bus and power combined in one cable
- Easy installation without line interruption due to convenient insulation displacement technology (IDC)
- WINSTA® IDC Supply and Tap-Off Modules allow connection at any point along the flat cable – one rotation per pole is all that is required.

Electrical Data						
Main product function	Supply module			Tap-off module		
Ratings per	IEC/EN 60664-1					
Overvoltage category	III	III	II	III	III	II
Pollution degree	3	2	2	3	2	2
Rated voltage	690 V	-	-	690 V	-	-
Rated impulse voltage	8 kV	-	-	8 kV	-	-
Rated current	76 A	-	-	41 A	-	-

Connection Data	
Connection technology	Screw-type connection
Connection technology 2	IDC

Material Data	
Insulation material	Polyamide (PA66)
Contact material	Copper or copper alloy (surface-treated)

Mechanical Data	
Retention force of a plug-in connection	When locked: > 80 N
Protection type	IP20
Note on protection type	IP65 with screw-type connection/blind plug

Environmental Requirements	
Processing temperature	-5 ... +40 °C
Continuous operating temperature	-35 ... +85 °C
Note on continuous operating temperature	PVC cable for temperatures ≤ 70 °C (including halogen-free) PVC flat cable for temperatures -15 °C to ≤ 70 °C (including halogen-free) Insulating parts for temperatures ≤ 105 °C

All WINSTA® components are 100% protected against mismatching when:

- plugging different numbers of poles
- plugging while rotated 180
- plugging while laterally staggered
- plugging one pole

Cables and pluggable connectors Page 399

See technical section for further information

For approvals and corresponding ratings, visit www.wago.com

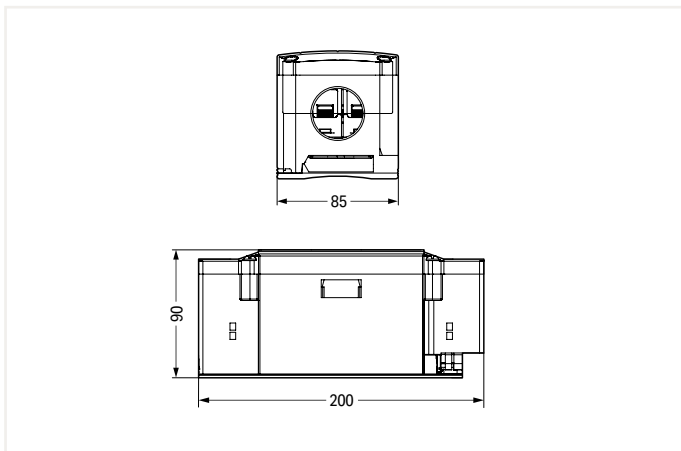
Supply/Tap-Off Module ▶ WINSTA® IDC ▶ 895 Series for flat cable 5 x 16 mm² ▶ Pole No.: 5

Supply module



895-1651

Color	Item No.	PU
● black	895-1651	1



Supply/Tap-Off Module ▶ WINSTA® IDC ▶ 895 Series for flat cable 5 x 16 mm² ▶ Pole No.: 5

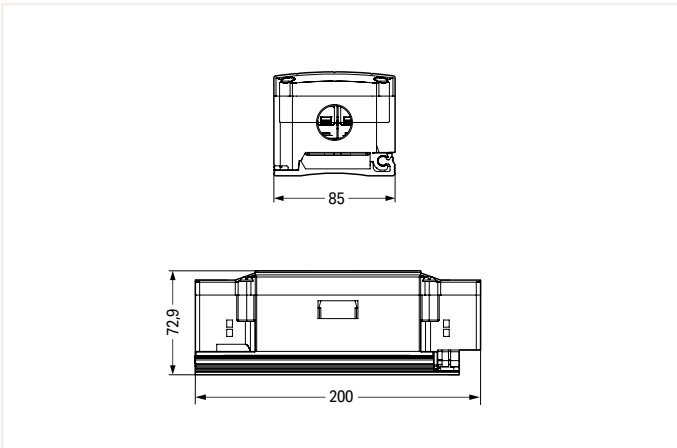
Tap-off module



895-1652

Tighten the screws to the stop to connect the flat cable (observe the tightening torque!)

Color	Item No.	PU
● black	895-1652	1



Red contact clips confirm that the contacts are made correctly when they are flush with the terminals.

6